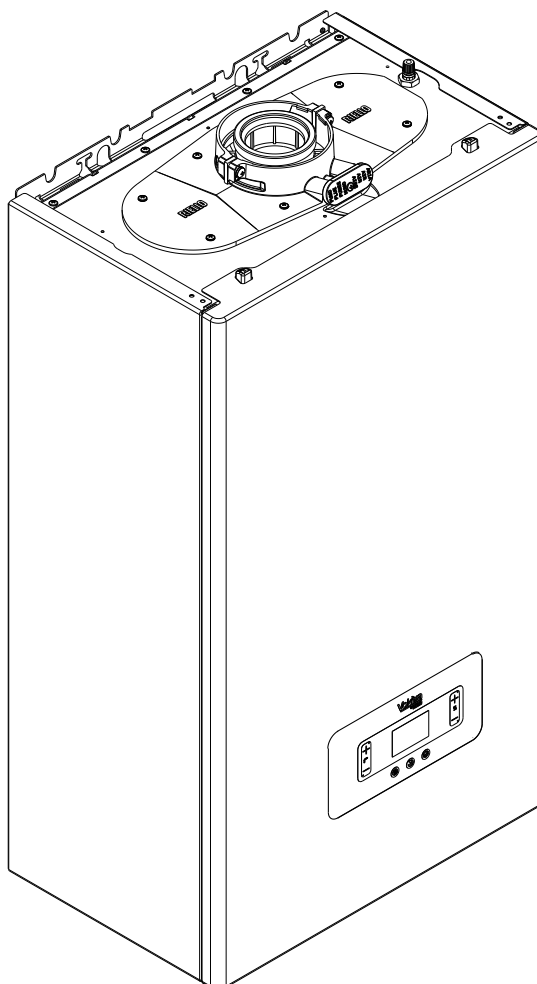
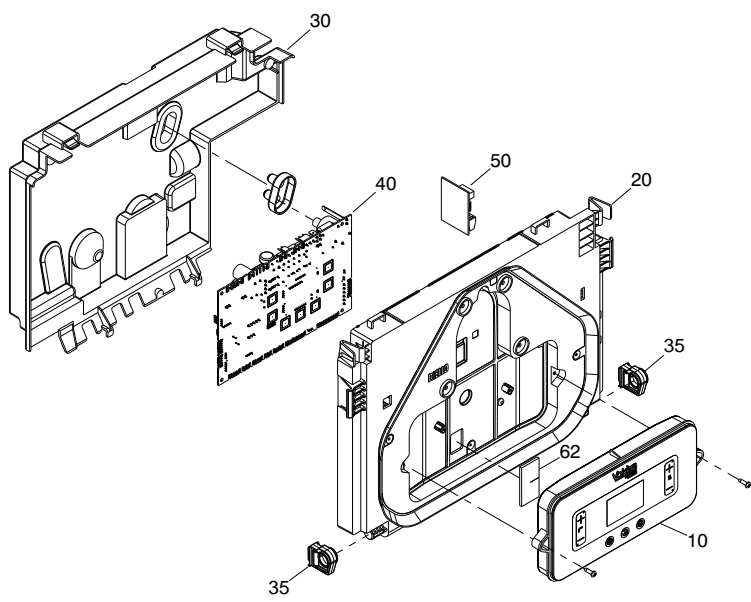
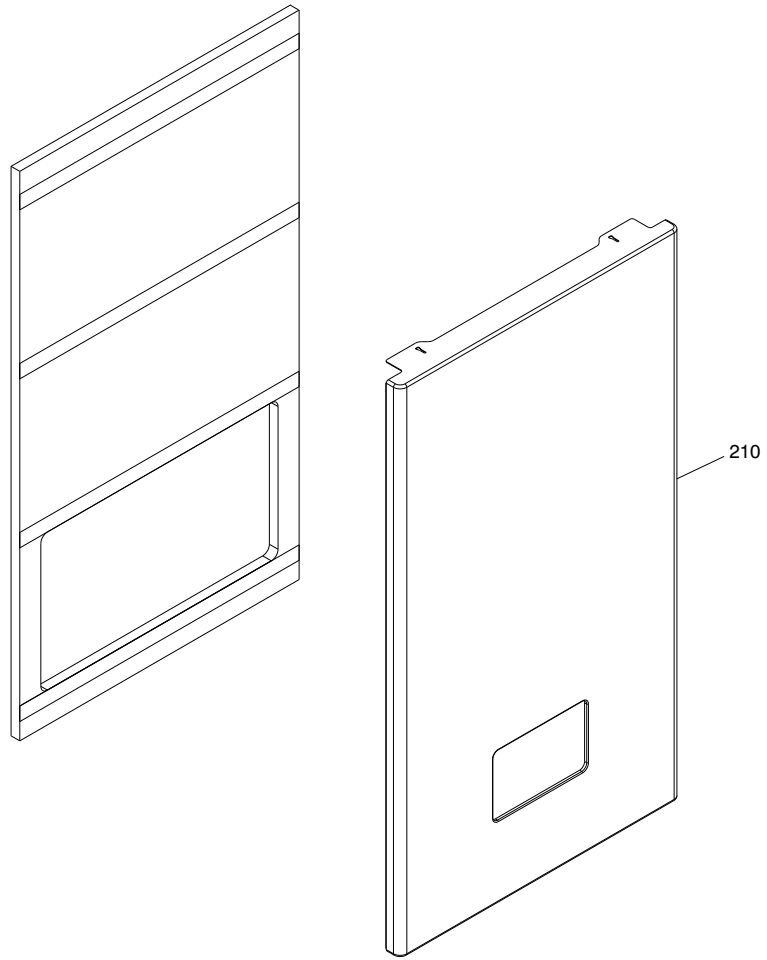


Wall hung boilers

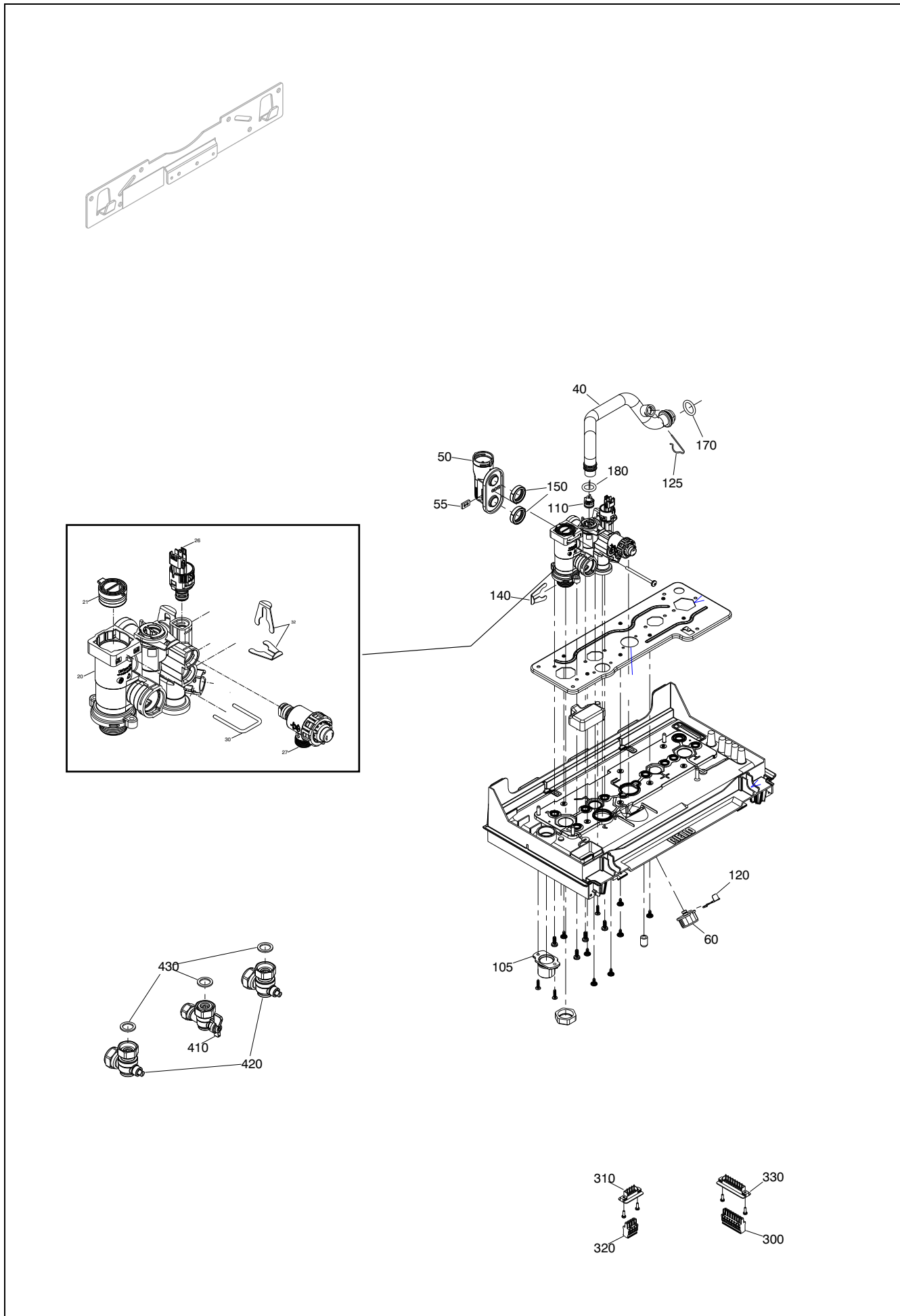
Synergy 32S



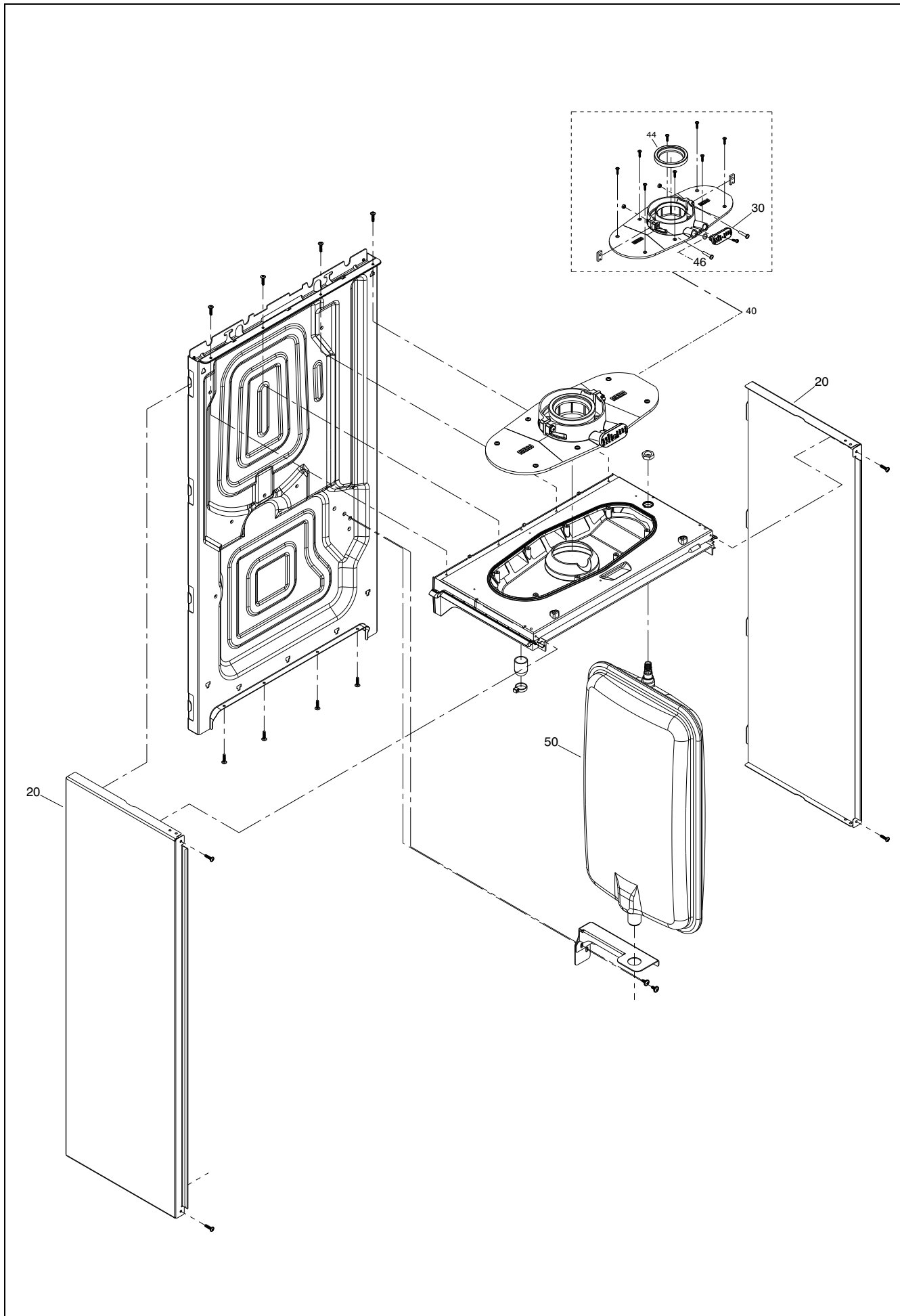
MODEL	PART NUMBER	
	MTN	GPL
Synergy 32S	20207902	



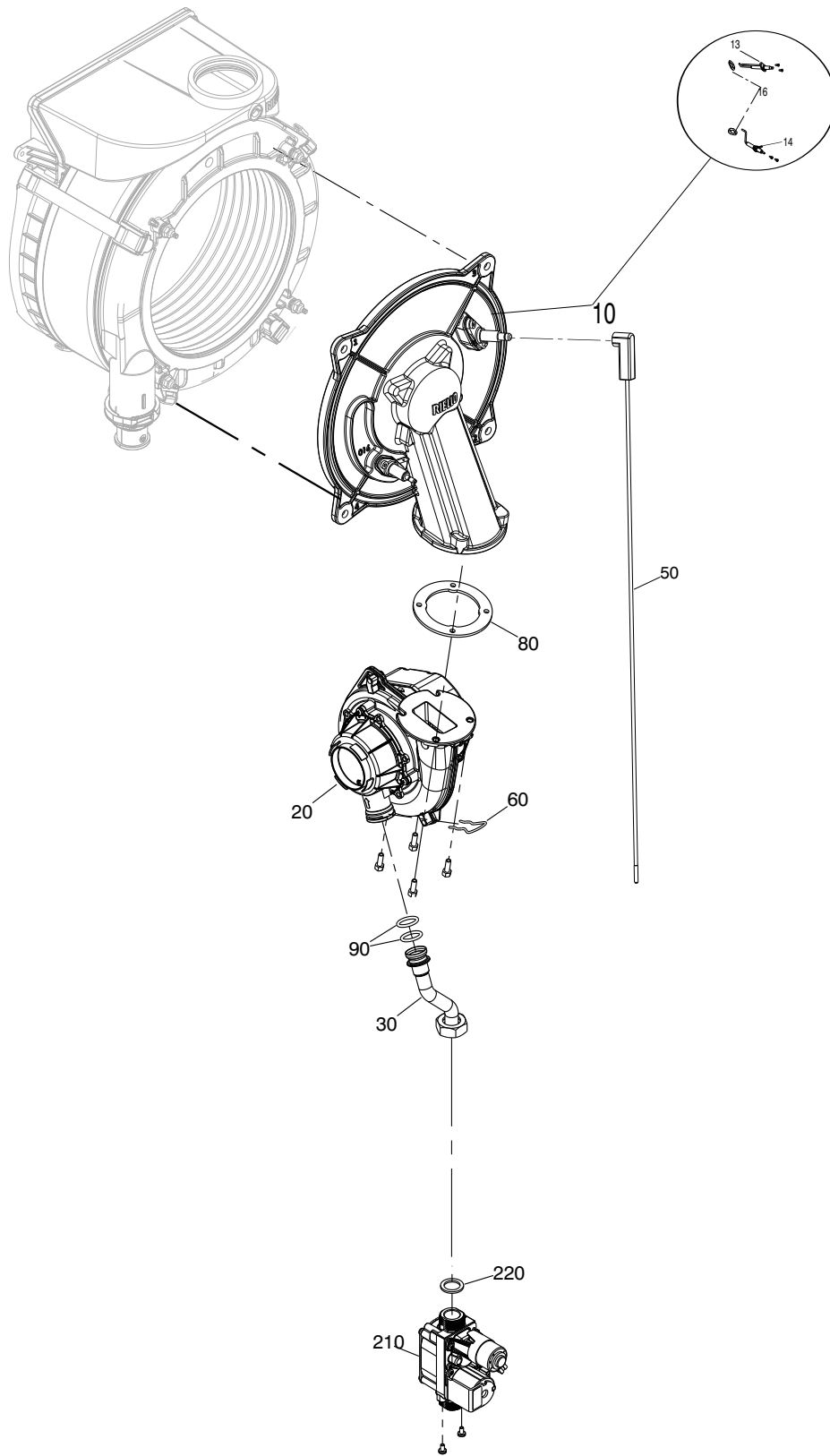
POS.	DESCRIPTION	32S
10	Interface	20210529
20	Cover assembly	20215275
30	Electric parts cover	20206744
35	Control panel hinge	20204261
40	PC board	20216089
50	Printed circuit board	20076436
210	Case Assembly	20210534



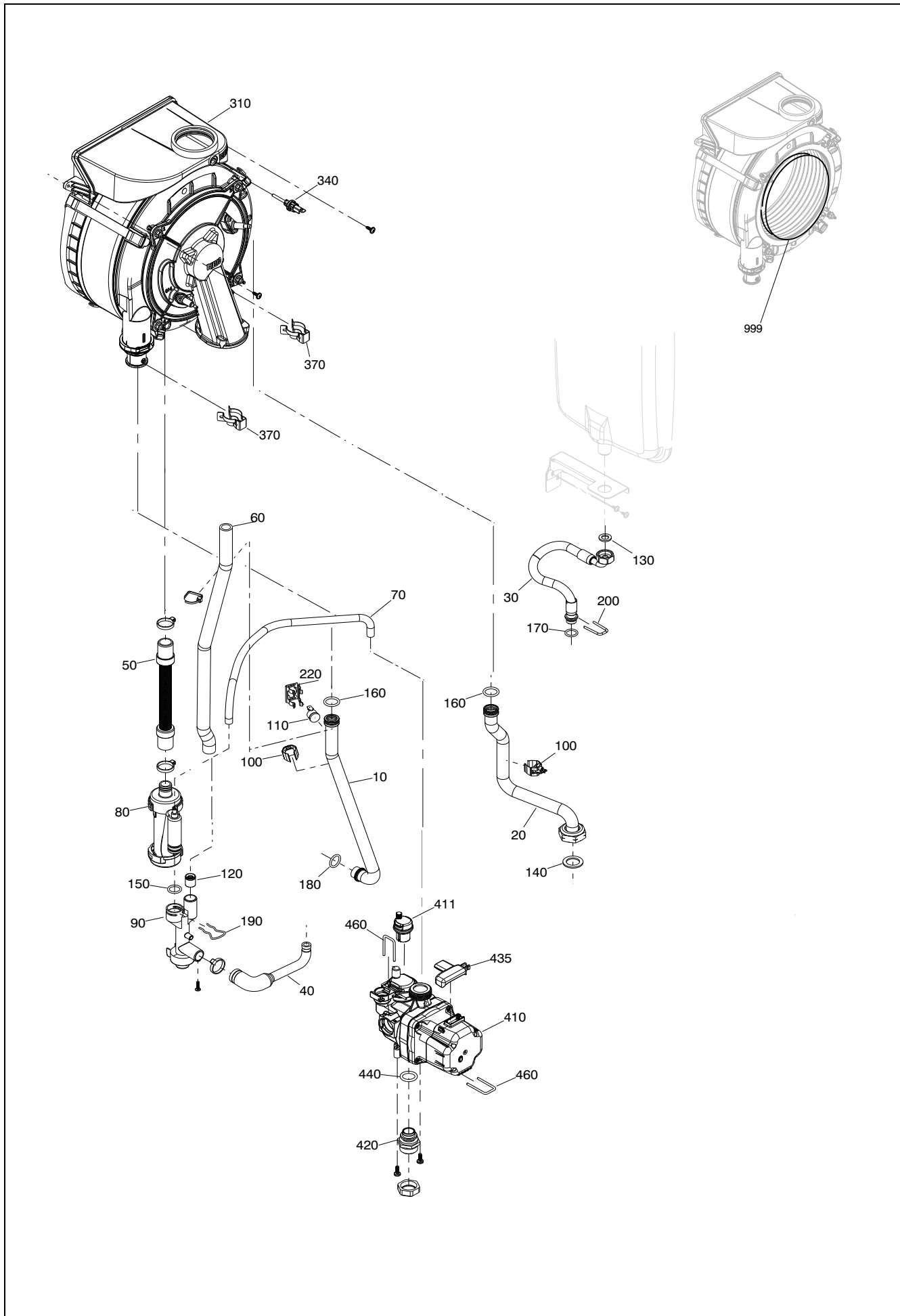
POS.	DESCRIPTION	32S
20	Hydraulic connection	20193766
21	Hole cover	20194516
26	Pressure transducer	20188992
27	Safety valve	20204272
30	Clip	20189051
32	Clip	20145853
40	Pipe	20212616
50	Connection	20194508
55	Insert	20193350
60	Pressure gauge	20204270
70	Knob	20204275
105	Connection	20210527
110	High head by-pass valve	20196474
120	Spring	20204269
125	Clip	R2165
140	Clip	20145853
150	Washer	R10025067
170	Washer	20188460
180	Washer	20194510
300	Connector	20154288
310	4-pin connector	20188746
320	4-pin connector	20154287
330	Cable connector	20206745
410	Heating cock	20132650
420	Heat water cock	20132653
430	Washer	R5023



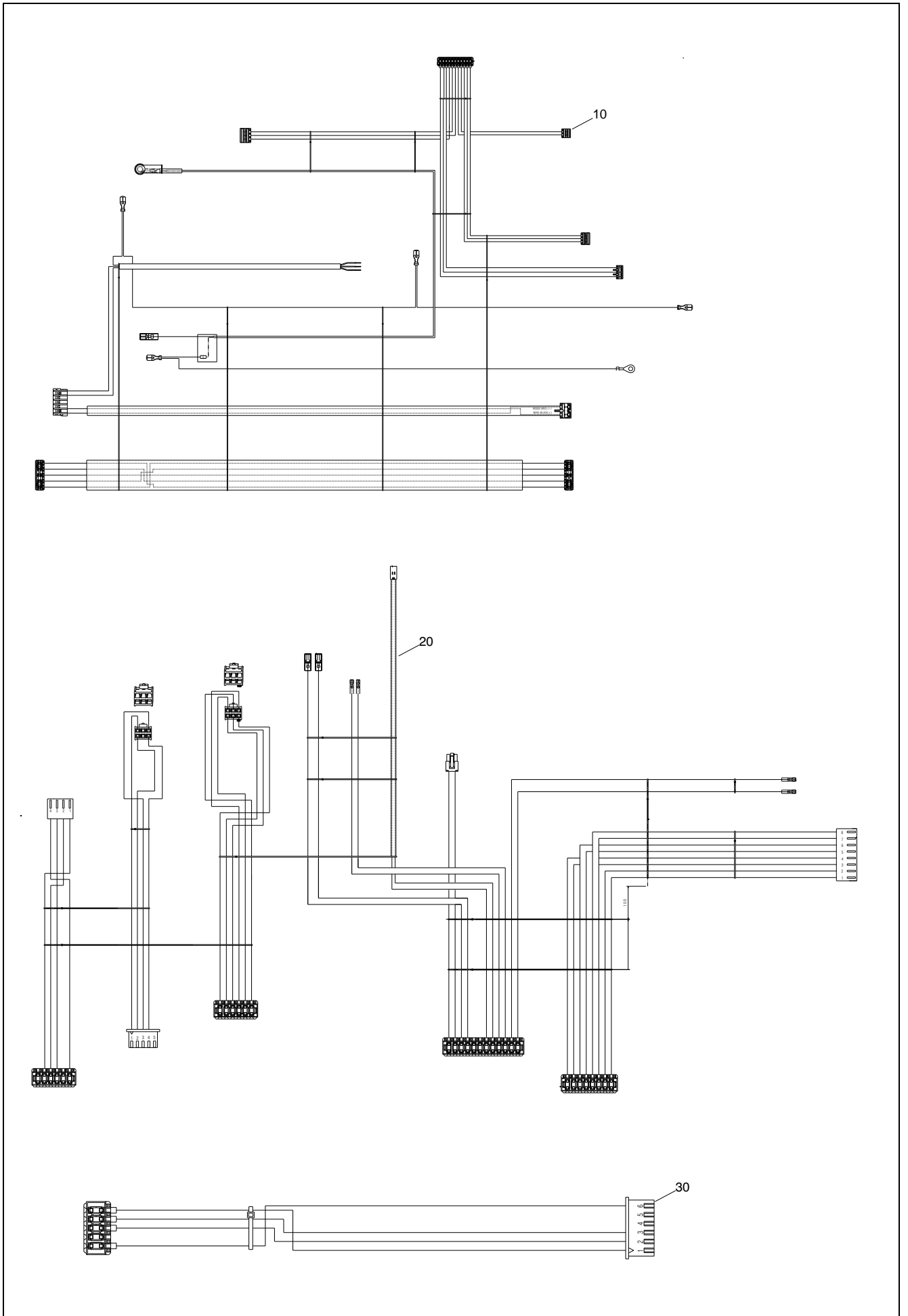
POS.	DESCRIPTION	32S
20	Side panel	20204271
30	Cap smoke analysis	20204849
40	Flange	20204233
44	Gasket fan	20193768
46	O-ring	R10026494
50	Expansion vessel	20204262



POS.	DESCRIPTION	32S
10	Conveyor	20204267
13	Ignition electrode	20204235
14	Sensing electrode	20135947
16	Electrode seal	20157191
20	Fan	20207761
30	Pipe	20204976
50	Spark electrode cable	20195212
60	Clip	R10025062
80	Washer	R10026796
90	Washer	20204869
210	Gas valve	20204276
220	Washer	R5023



POS.	DESCRIPTION	32S
10	Pipe	20204970
20	Pipe	20204263
30	Pipe	20204268
40	Pipe	20204273
50	Flexible pipe	20000132
60	Condensation outlet tube	20124018
70	Tube kit	20161501
80	Siphon	20188455
90	Condensation outlet (drainage) manifold	20204281
100	Temperature detector	20188488
110	High limit thermostat	20005585
120	Non return valve	20188456
130	Washer	R5026
140	Washer	R9732
150	O-Ring	20140935
160	O ring	20152424
170	O ring	20182412
180	O ring	20000131
190	Clip	R10025062
200	Clip	20188462
220	Clip	R5472
310	Condensing exchanger assembly	20210035
340	Flue sensor	20135782
370	Clip	20204259
410	Pump	20204256
411	Air vent bottle	20169571
420	connector	20188459
435	Support	20204274
440	Washer	20188460
460	Clip	20188603
530	Condensation outlet tube	20100816
999	Retarder insulating panel	20159693



POS.	DESCRIPTION	32S
10	Power wiring harness	20210654
20	Wiring harness	20210655
30	Wiring harness	20206750

Rev	Data	Descrizione



Vokera reserve the right to change the specifications without prior notice.
Consumers' statutory rights are not affected.