

TOSHIBA

SERVICE MANUAL

AIR-CONDITIONER

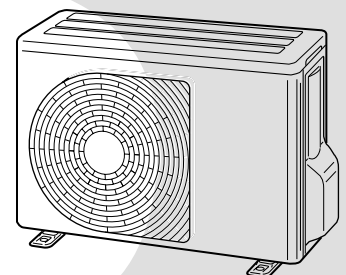
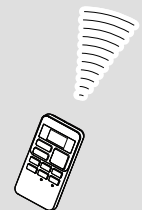
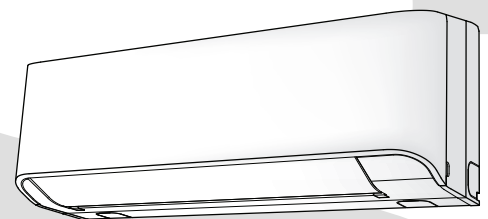
SPLIT TYPE

Indoor Unit

RAS-B05BKVG-E
RAS-B07BKVG-E
RAS-B10BKVG-E
RAS-B13BKVG-E
RAS-B16BKVG-E

Outdoor Unit

RAS-05BAVG-E
RAS-07BAVG-E
RAS-10BAVG-E1
RAS-13BAVG-E1
RAS-16BAVG-E



R32





INVERTER



CONTENTS

| | |
|---|-----|
| 1. SAFETY PRECAUTIONS | 3 |
| 2. SPECIFICATIONS | 6 |
| 3. REFRIGERANT R32 | 10 |
| 4. CONSTRUCTION VIEWS | 18 |
| 5. WIRING DIAGRAM | 21 |
| 6. SPECIFICATIONS OF ELECTRICAL PARTS | 23 |
| 7. REFRIGERANT CYCLE DIAGRAM | 24 |
| 8. CONTROL BLOCK DIAGRAM | 28 |
| 9. OPERATION DESCRIPTION | 31 |
| 10. INSTALLATION PROCEDURE | 55 |
| 11. HOW TO DIAGNOSE THE TROUBLE | 71 |
| 12. HOW TO REPLACE THE MAIN PARTS | 98 |
| 13. EXPLODED VIEWS AND PARTS LIST | 118 |

1. SAFETY PRECAUTIONS

| | | | |
|---|--|---|--|
|  | Read the precautions in this manual carefully before operating the unit. |  | This appliance is filled with R32. (Flammable Material) |
|  | Information included in the Operation Manual and/or Installation Manual. |  | Service personnel should be handling this equipment with reference to the Installation Manual. |

For general public use

Power supply cord of outdoor unit shall be more than 1.5 mm² (H07RN-F or 60245IEC66) polychloroprene sheathed flexible cord.

- Read this "SAFETY PRECAUTIONS" carefully before servicing.
- The precautions described below include the important items regarding safety. Observe them without fail.
- After the servicing work, perform a trial operation to check for any problem.
- Turn off the main power supply switch (or breaker) before the unit maintenance.

■ Important information regarding the refrigerant used

This product contains fluorinated greenhouse gases covered by the Kyoto Protocol. Do not vent gases into the atmosphere. Refrigerant type: **R32**

GWP⁽¹⁾ value: **675***

⁽¹⁾GWP = global warming potential

The refrigerant quantity is indicated on the unit name plate.

* This value is based on F gas regulation 517/2014

CAUTION

New Refrigerant Air Conditioner Installation

- **THIS AIR CONDITIONER ADOPTS THE NEW HFC REFRIGERANT (R32) WHICH DOES NOT DESTROY OZONE LAYER.**

R32 refrigerant is apt to be affected by impurities such as water, oxidizing membrane, and oils because the working pressure of R32 refrigerant is approx. 1.6 times of refrigerant R22. Accompanied with the adoption of the new refrigerant, the refrigeration machine oil has also been changed. Therefore, during installation work, be sure that water, dust, former refrigerant, or refrigeration machine oil does not enter into the new type refrigerant R32 air conditioner circuit.

To prevent mixing of refrigerant or refrigerating machine oil, the sizes of connecting sections of charging port on main unit and installation tools are different from those used for the conventional refrigerant units.

Accordingly, special tools are required for the new refrigerant (R32) units. For connecting pipes, use new and clean piping materials with high pressure fittings made for R32 only, so that water and/or dust does not enter. Moreover, do not use the existing piping because there are some problems with pressure fittings and possible impurities in existing piping.

CAUTION

TO DISCONNECT THE APPLIANCE FROM THE MAIN POWER SUPPLY

This appliance must be connected to the main power supply by a circuit breaker or a switch with a contact separation of at least 3 mm.

DANGER

- **ASK AN AUTHORIZED DEALER OR QUALIFIED INSTALLATION PROFESSIONAL TO INSTALL/MAINTAIN THE AIR CONDITIONER.**

INAPPROPRIATE SERVICING MAY RESULT IN WATER LEAKAGE, ELECTRIC SHOCK OR FIRE.

- **TURN OFF MAIN POWER SUPPLY BEFORE ATTEMPTING ANY ELECTRICAL WORK. MAKE SURE ALL POWER SWITCHES ARE OFF. FAILURE TO DO SO MAY CAUSE ELECTRIC SHOCK.**

**DANGER: HIGH VOLTAGE**

The high voltage circuit is incorporated.

Be careful to do the check service, as the electric shock may be caused in case of touching parts on the P.C. board by hand.

- **CORRECTLY CONNECT THE CONNECTING CABLE. IF THE CONNECTING CABLE IS INCORRECTLY CONNECTED, ELECTRIC PARTS MAY BE DAMAGED.**
- **CHECK THAT THE EARTH WIRE IS NOT BROKEN OR DISCONNECTED BEFORE SERVICE AND INSTALLATION. FAILURE TO DO SO MAY CAUSE ELECTRIC SHOCK.**
- **DO NOT INSTALL NEAR CONCENTRATIONS OF COMBUSTIBLE GAS OR GAS VAPORS. FAILURE TO FOLLOW THIS INSTRUCTION CAN RESULT IN FIRE OR EXPLOSION.**
- **TO PREVENT THE INDOOR UNIT FROM OVERHEATING AND CAUSING A FIRE HAZARD, PLACE THE UNIT WELL AWAY (MORE THAN 2 M) FROM HEAT SOURCES SUCH AS RADIATORS, HEAT REGISTORS, FURNACE, STOVES, ETC.**
- **WHEN MOVING THE AIR-CONDITIONER FOR INSTALLATION IN ANOTHER PLACE, BE VERY CAREFUL NOT TO ALLOW THE SPECIFIED REFRIGERANT (R32) TO BECOME MIXED WITH ANY**
- **OTHER GASEOUS BODY INTO THE REFRIGERATION CIRCUIT. IF AIR OR ANY OTHER GAS IS MIXED IN THE REFRIGERANT, THE GAS PRESSURE IN THE REFRIGERATION CIRCUIT WILL BECOME ABNORMALLY HIGH AND IT MAY RESULT IN THE PIPE BURSTING AND POSSIBLE PERSONNEL INJURIES.**
- **IN THE EVENT THAT THE REFRIGERANT GAS LEAKS OUT OF THE PIPE DURING THE SERVICE WORK AND THE INSTALLATION WORK, IMMEDIATELY LET FRESH AIR INTO THE ROOM. IF THE REFRIGERANT GAS IS HEATED, SUCH AS BY FIRE, GENERATION OF POISONOUS GAS MAY RESULT.**

WARNING

- **Never modify this unit by removing any of the safety guards or bypass any of the safety interlock switches.**
- **Do not install in a place which cannot bear the weight of the unit. Personal injury and property damage can result if the unit falls.**
- **After the installation work, confirm that refrigerant gas does not leak.**
If refrigerant gas leaks into the room and flows near a fire source, such as a cooking range, noxious gas may generate.
- **The electrical work must be performed by a qualified electrician in accordance with the Installation Manual. Make sure the air conditioner uses an exclusive circuit.**
An insufficient circuit capacity or inappropriate installation may cause fire.
- **When wiring, use the specified cables and connect the terminals securely to prevent external forces applied to the cable from affecting the terminals.**
- **Be sure to provide grounding.**
Do not connect ground wires to gas pipes, water pipes, lightning rods or ground wires for telephone cables.
- **Conform to the regulations of the local electric company when wiring the power supply.**
Inappropriate grounding may cause electric shock.

- Do not pierce or burn as the appliance is pressurized. Do not expose the appliance to heat, flame, sparks, or other sources or ignition. Else, it may explode and cause injury or death.
- For R32 model, use pipes, flare nut and tools which is specified for R32 refrigerant. Using of existing (R22) piping, flare nut and tools may cause abnormally high pressure in the refrigerant cycle (piping), and possibly result in explosion and injury.
- Thickness of copper pipes used R32 must be more than 0.8mm. Never use copper pipes thinner than 0.8mm.
- Do not perform flare connection inside a building or dwelling or room, when joining the heat exchanger of indoor unit with interconnection piping. Refrigerant connection inside a building or dwelling or room must be made by brazing or welding. Joint connection of indoor unit by flaring method can only be made at outdoor or at outside of building or dwelling or room. Flare connection may cause gas leak and flammable atmosphere.
- After completion of installation or service, confirm there is no leakage of refrigerant gas. It may generate toxic gas when the refrigerant contacts with fire.
- Appliance and pipe-work shall be installed, operated and stored in a room with a floor area large than A_{min} m²
How to get A_{min} m² : $A_{min} = (M / (2.5 \times 0.22759 \times h_0))^2$
M is the refrigerant charge amount in appliance in kg. h_0 is the installation height of the appliance in m : 0.6 m for floor standing/1.8m for wall mounted/1.0 m for window mounted/2.2 m for ceiling mounted.
- Comply with national gas regulations.

CAUTION

- Exposure of unit to water or other moisture before installation may result in an electrical short. Do not store in a wet basement or expose to rain or water.
- Do not install in a place that can increase the vibration of the unit. Do not install in a place that can amplify the noise level of the unit or where noise or discharged air might disturb neighbors.
- To avoid personal injury, be careful when handling parts with sharp edges.
- **Perform the specified installation work to guard against an earthquake.**
If the air conditioner is not installed appropriately, accidents may occur due to the falling unit.

For Reference:

If a heating operation would be continuously performed for a long time under the condition that the outdoor temperature is 0°C or lower, drainage of defrosted water may be difficult due to freezing of the bottom plate, resulting in a trouble of the cabinet or fan.

It is recommended to procure an antifreeze heater locally for a safe installation of the air conditioner.

For details, contact the dealer.

2. SPECIFICATIONS

2-1. Specification

| Unit model | | Indoor | | RAS-B05BKVG-E | | RAS-B07BKVG-E | |
|--------------------------|----------------------------|--|--|--|----------------|----------------|----------------|
| | | Outdoor | | RAS-05BAVG-E | | RAS-07BAVG-E | |
| Cooling capacity | | (kW) | | 1.50 | | 2.00 | |
| Cooling capacity range | | (kW) | | 0.66-2.00 | | 0.67-2.60 | |
| Heating capacity | | (kW) | | 2.00 | | 2.50 | |
| Heating capacity range | | (kW) | | 0.54-3.00 | | 0.55-3.30 | |
| Power supply | | | | 1Ph/50Hz/220-240V | | | |
| Electric characteristic | Indoor | Operation mode | | Cooling | Heating | Cooling | Heating |
| | | Running current | (A) | 0.19-0.17 | 0.20-0.18 | 0.20-0.18 | 0.22-0.20 |
| | | Power consumption | (W) | 26 | 29 | 28 | 31 |
| | | Power factor | (%) | 63 | 66 | 64 | 64 |
| | Outdoor | Operation mode | | Cooling | Heating | Cooling | Heating |
| | | Running current | (A) | 1.83-1.68 | 2.20-2.02 | 2.75-2.52 | 3.03-2.75 |
| | | Power consumption | (W) | 364 | 441 | 552 | 609 |
| | | Power factor | (%) | 90 | 91 | 91 | 92 |
| Starting current | | (A) | 1.94 | 2.30 | 2.84 | 3.10 | |
| COP (Cooling / Heating) | | | | 3.85/4.26 | | 3.45-3.91 | |
| Operating noise | Indoor | High | (Cooling / Heating) (dB-A) | 37/37 | | 38/38 | |
| | | Medium | (Cooling / Heating) (dB-A) | 30/30 | | 31/31 | |
| | | Low | (Cooling / Heating) (dB-A) | 22/22 | | 23/23 | |
| | Outdoor | | (Cooling / Heating) (dB-A) | 48/50 | | 48/50 | |
| Indoor unit | Unit model | | RAS-B05BKVG-E | | RAS-B07BKVG-E | | |
| | Dimension | Height | (mm) | 293 | | 293 | |
| | | Width | (mm) | 798 | | 798 | |
| | | Depth | (mm) | 230 | | 230 | |
| | Net weight | (kg) | 9 | | 9 | | |
| | Fan motor output | (W) | 20 | | 20 | | |
| | Air flow rate | | (Cooling / Heating) (m ³ / min) | 8.5/8.7 | | 8.7/8.9 | |
| Outdoor unit | Unit model | | RAS-05BAVG-E | | RAS-07BAVG-E | | |
| | Dimension | Height | (mm) | 530 | | 530 | |
| | | Width | (mm) | 660 | | 660 | |
| | | Depth | (mm) | 240 | | 240 | |
| | Net weight | (kg) | 21 | | 21 | | |
| | Compressor | Motor output | (W) | 500 | | 500 | |
| | | Type | | Single rotary type with DC-inverter variable speed control | | | |
| | | Model | | NX66F0F-20D | | NX66F0F-20D | |
| | Fan motor output | (W) | 43 | | 43 | | |
| | Air flow rate | | (Cooling / Heating) (m ³ / min) | 29/30 | | 29/30 | |
| Piping connection | Type | | Flare connection | | | | |
| | Indoor unit | Liquid side | (mm) | Ø6.35 | | Ø6.35 | |
| | | Gas side | (mm) | Ø9.52 | | Ø9.52 | |
| | Outdoor unit | Liquid side | (mm) | Ø6.35 | | Ø6.35 | |
| | | Gas side | (mm) | Ø9.52 | | Ø9.52 | |
| | Maximum length | | (m) | 15 | | 15 | |
| | Maximum charge-less length | | (m) | 15 | | 15 | |
| | Maximum height difference | | (m) | 12 | | 12 | |
| Refrigerant | Name of refrigerant | | R32 | | R32 | | |
| | Weight | | (kg) | 0.40 | | 0.40 | |
| Wiring connection | Power supply | | 3 Wires: Includes earth (Outdoor) | | | | |
| | Interconnection | | 4 Wires: Includes earth | | | | |
| Usable temperature range | Indoor | (Cooling / Heating) (°C) | 21-32/0-28 | | 21-32/0-28 | | |
| | Outdoor | (Cooling / Heating) (C) | -15,46/-15,24 | | -15,46/-15,24 | | |
| Accessory | Indoor unit | Installation plate | | 1 | | | |
| | | Wireless remote controller | | 1 | | | |
| | | Batteries | | 2 | | | |
| | | Remote controller holder | | 1 | | | |
| | | Active Carbon Catechin filter | | - | | | |
| | | Mounting screw | | 6(Ø4x25L) | | | |
| | | Remote controller holder Flat head wood screw | | 2(Ø3.1x16L) | | | |
| | | Installation manual | | 1 | | | |
| | | Owner's manual | | 1 | | | |

* The specification may be subject to change without notice for purpose of improvement.

2-1. Specification

| Unit model | | Indoor | | RAS-B10BKVG-E | | RAS-B13BKVG-E | |
|---------------------------|----------------------------|-------------------------------|--|-------------------|----------------------|----------------|----------------|
| | | Outdoor | | RAS-10BAVG-E1 | | RAS-13BAVG-E1 | |
| Cooling capacity | | (kW) | | 2.50 | | 3.30 | |
| Cooling capacity range | | (kW) | | 0.68-3.00 | | 0.75-3.60 | |
| Heating capacity | | (kW) | | 3.20 | | 3.60 | |
| Heating capacity range | | (kW) | | 0.71-3.90 | | 0.72-4.50 | |
| Power supply | | | | 1Ph/50Hz/220-240V | | | |
| Electric characteristic | Indoor | Operation mode | | Cooling | Heating | Cooling | Heating |
| | | Running current | (A) | 0.21-0.19 | 0.23-0.21 | 0.22-0.20 | 0.23-0.21 |
| | | Power consumption | (W) | 30 | 33 | 34 | 35 |
| | | Power factor | (%) | 65 | 65 | 70 | 69 |
| | Outdoor | Operation mode | | Cooling | Heating | Cooling | Heating |
| | | Running current | (A) | 3.64-3.34 | 3.97-3.64 | 5.28-4.85 | 4.42-4.04 |
| | | Power consumption | (W) | 740 | 817 | 1096 | 925 |
| | | Power factor | (%) | 92 | 94 | 94 | 95 |
| Starting current | | (A) | 3.70 | 4.00 | 5.30 | 4.45 | |
| COP (Cooling / Heating) | | | | 3.25/3.76 | | 2.92-3.75 | |
| Operating noise | Indoor | High | (Cooling / Heating) | (dB-A) | 39/39 | | 41/42 |
| | | Medium | (Cooling / Heating) | (dB-A) | 32/32 | | 33/34 |
| | | Low | (Cooling / Heating) | (dB-A) | 24/24 | | 24/24 |
| | Outdoor | (Cooling / Heating) | | (dB-A) | 49/51 | | 50/51 |
| Indoor unit | Unit model | | RAS-B10BKVG-E | | RAS-B13BKVG-E | | |
| | Dimension | Height | (mm) | 293 | | 293 | |
| | | Width | (mm) | 798 | | 798 | |
| | | Depth | (mm) | 230 | | 230 | |
| | Net weight | (kg) | 9 | | 9 | | |
| | Fan motor output | (W) | 25 | | 25 | | |
| | Air flow rate | (Cooling / Heating) | (m ³ / min) | 9.0/9.2 | | 10.0/10.3 | |
| Outdoor unit | Unit model | | RAS-10BAVG-E1 | | RAS-13BAVG-E1 | | |
| | Dimension | Height | (mm) | 530 | | 530 | |
| | | Width | (mm) | 660 | | 660 | |
| | | Depth | (mm) | 240 | | 240 | |
| | Net weight | (kg) | 23 | | 23 | | |
| | Compressor | Motor output | (W) | 712 | | 712 | |
| | | Type | Single rotary type with DC-inverter variable speed control | | | | |
| | | Model | KSK89D53UEZ | | KSK89D53UEZ | | |
| | Fan motor output | (W) | 43 | | | | |
| | Air flow rate | (Cooling / Heating) | (m ³ / min) | 32.0/32.0 | | 33/33 | |
| Piping connection | Type | | Flare connection | | | | |
| | Indoor unit | Liquid side | (mm) | Ø6.35 | | Ø6.35 | |
| | | Gas side | (mm) | Ø9.52 | | Ø9.52 | |
| | Outdoor unit | Liquid side | (mm) | Ø6.35 | | Ø6.35 | |
| | | Gas side | (mm) | Ø9.52 | | Ø9.52 | |
| | Maximum length | (m) | 15 | | 15 | | |
| | Maximum charge-less length | (m) | 15 | | 15 | | |
| Maximum height difference | (m) | 12 | | 12 | | | |
| Refrigerant | Name of refrigerant | | R32 | | R32 | | |
| | Weight | | (kg) | 0.43 | | 0.43 | |
| Wiring connection | Power supply | | 3 Wires: Includes earth (Outdoor) | | | | |
| | Interconnection | | 4 Wires: Includes earth | | | | |
| Usable temperature range | Indoor | (Cooling / Heating) | (°C) | 21-32/0-28 | | 21-32/0-28 | |
| | Outdoor | (Cooling / Heating) | (C) | -15,46/-15,24 | | -15,46/-15,24 | |
| Accessory | Indoor unit | Installation plate | | 1 | | | |
| | | Wireless remote controller | | 1 | | | |
| | | Batteries | | 2 | | | |
| | | Remote controller holder | | 1 | | | |
| | | Active Carbon Catechin filter | | - | | | |
| | | Mounting screw | | 6(Ø4x25L) | | | |
| | | Remote controller holder | | 2(Ø3.1x16L) | | | |
| | | Flat head wood screw | | 2(Ø3.1x16L) | | | |
| | | Installation manual | | 1 | | | |
| Owner's manual | | 1 | | | | | |

* The specification may be subject to change without notice for purpose of improvement.

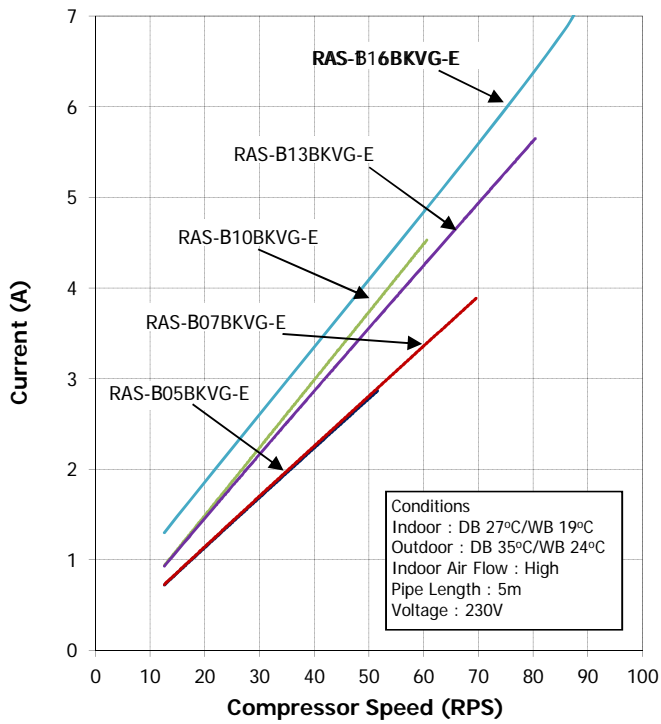
2-1. Specification

| | | | | | |
|--------------------------|---------------------------------|--|--|----------------|----------------|
| Unit model | Indoor | | RAS -B16BKVG-E | | |
| | Outdoor | | RAS -16BAVG-E | | |
| Cooling capacity | (kW) | | 4.60 | | |
| Cooling capacity range | (kW) | | 1.20-5.30 | | |
| Heating capacity | (kW) | | 5.40 | | |
| Heating capacity range | (kW) | | 0.93-6.40 | | |
| Power supply | 1Ph/50Hz/220-240V | | | | |
| Electric characteristic | Indoor | Operation mode | | Cooling | Heating |
| | | Running current (A) | | 0.25-0.23 | 0.26-0.24 |
| | | Power consumption (W) | | 45 | 47 |
| | | Power factor (%) | | 82 | 82 |
| | Outdoor | Operation mode | | Cooling | Heating |
| | | Running current (A) | | 6.94-6.37 | 6.99-6.41 |
| | | Power consumption (W) | | 1485 | 1503 |
| | | Power factor (%) | | 97 | 97 |
| Starting current (A) | | 6.85 | 6.95 | | |
| COP (Cooling / Heating) | | 3.01/3.48 | | | |
| Operating noise | Indoor | High | (Cooling / Heating) | (dB-A) | 43/43 |
| | | Medium | (Cooling / Heating) | (dB-A) | 35/35 |
| | | Low | (Cooling / Heating) | (dB-A) | 25/25 |
| | Outdoor | (Cooling / Heating) | | (dB-A) | 50/52 |
| Indoor unit | Unit model | | RAS-B16BKVG-E | | |
| | Dimension | Height | (mm) | 293 | |
| | | Width | (mm) | 798 | |
| | | Depth | (mm) | 230 | |
| | Net weight | | (kg) | 10 | |
| | Fan motor output | | (W) | 35 | |
| | Air flow rate | | (Cooling / Heating) (m ³ / min) | 12.5/12.8 | |
| Outdoor unit | Unit model | | RAS-16BAVG-E | | |
| | Dimension | Height | (mm) | 550 | |
| | | Width | (mm) | 780 | |
| | | Depth | (mm) | 290 | |
| | Net weight | | (kg) | 34 | |
| | Compressor | Motor output | (W) | 750 | |
| | | Type | Single rotary type with DC-inverter variable speed control | | |
| | Model | | KSN108D22UFZ | | |
| Fan motor output | | (W) | 43 | | |
| Air flow rate | | (Cooling / Heating) (m ³ / min) | 34/36 | | |
| Piping connection | Type | | Flare connection | | |
| | Indoor unit | Liquid side | (mm) | ∅6.35 | |
| | | Gas side | (mm) | ∅12.7 | |
| | Outdoor unit | Liquid side | (mm) | ∅6.35 | |
| | | Gas side | (mm) | ∅12.7 | |
| | Maximum length | | (m) | 20 | |
| | Maximum charge-less length | | (m) | 15 | |
| | Maximum height difference | | (m) | 12 | |
| Refrigerant | | Name of refrigerant | R32 | | |
| Weight | | (kg) | 0.80 | | |
| Wiring connection | Power supply | | 3 Wires: Includes earth (Outdoor) | | |
| | Interconnection | | 4 Wires: Includes earth | | |
| Usable temperature range | Indoor (Cooling / Heating) (°C) | | 21-32/0-28 | | |
| | Outdoor (Cooling / Heating) (C) | | -15,46/-15,24 | | |
| Accessory | Indoor unit | Installation plate | | 1 | |
| | | Wireless remote controller | | 1 | |
| | | Batteries | | 2 | |
| | | Remote controller holder | | 1 | |
| | | Active Carbon Catechin filter | | - | |
| | | Mounting screw | | 6(∅4x25L) | |
| | | Remote controller holder Flat head wood screw | | 2(∅3.1x16L) | |
| | | Installation manual | | 1 | |
| | | Owner's manual | | 1 | |

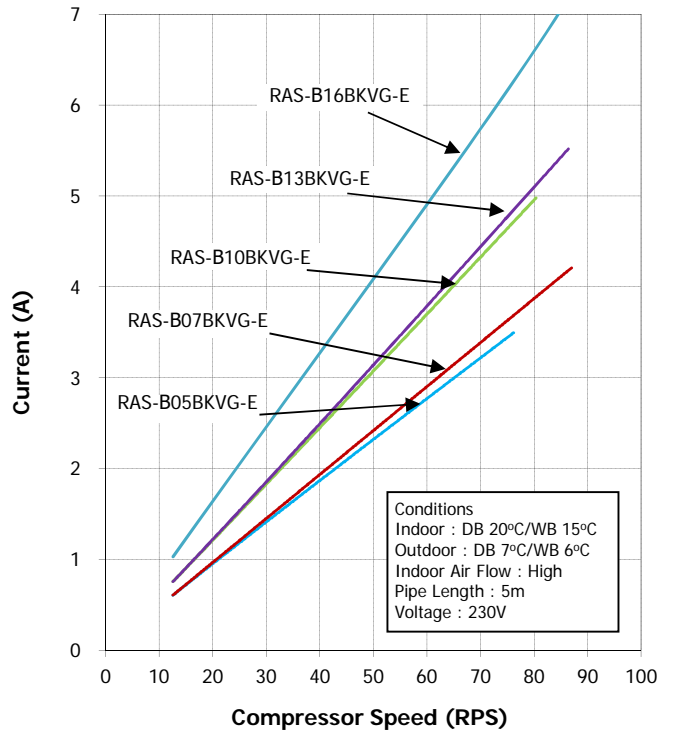
* The specification may be subject to change without notice for purpose of improvement.

2-2. Operation Characteristic Curve

<Cooling>

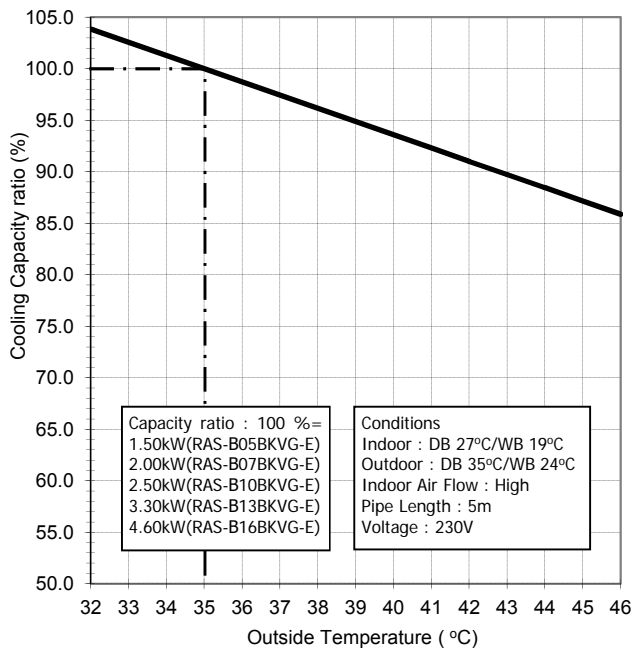


<Heating>

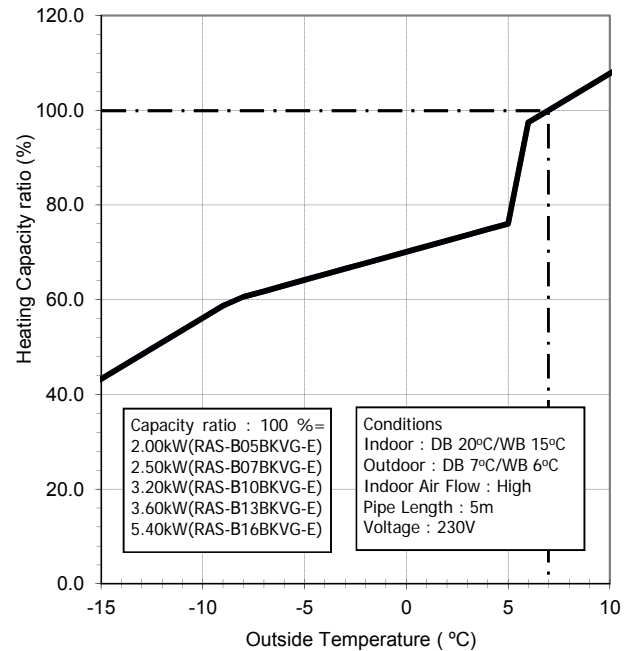


2-3. Capacity Variation ratio According to Temperature.

<Cooling>



<Heating>



3. REFRIGERANT R32

This air conditioner adopts the new refrigerant HFC (R32) which does not damage the ozone layer.

The next section describes the precautions for air conditioner using the new refrigerant. Conforming to contents of the next section together with the general cautions included in this manual, perform the correct and safe work.

3-1. Safety During Installation/Service

The basic installation servicing work procedures are the same as conventional R410A models.

As R32's pressure is about 1.6 times higher than that of R22, improper installation/servicing may cause a serious trouble. By using tools and materials exclusive for R32, it is necessary to carry out installation/servicing safely while taking the following precautions into consideration.

1. Never use refrigerant other than R32 in an air conditioner which is designed to operate with R32. If other refrigerant than R32 is mixed, pressure in the refrigeration cycle becomes abnormally high, and it may cause personal injury, etc. by a rupture.
2. Confirm the used refrigerant name, and use tools and materials exclusive for the refrigerant. The refrigerant name R32 is indicated on the visible place of the outdoor unit of the air conditioner using R32 as refrigerant. To prevent mischarging, the diameter of the service port differs from that of R22. R32 and other HFCs are heavier than air, and therefore they are inclined to settle near the floor surface. If the gas fills up the room or the bottom part of a room, it may also cause oxygen deficiency and may reach its combustion concentration.
In order to prevent oxygen deficiency and R32 combustion, keep the room well-ventilated for a healthy work environment.
In particular, using HFCs in a basement room or confined area creates a higher risk; be sure to furnish the room with local exhaust ventilation. If a refrigerant leak is confirmed in a room an inadequately ventilated location, do not use a flame until the area has been ventilated appropriately and the work environment has been improved.
The same applies in case of brazing, ensure appropriate ventilation to prevent oxygen deficiency and R32 combustion.
Check that there are no dangerous or combustible items nearby, and ensure a fire extinguisher is close at hand.
Keep a sufficient distance away from causes of fire (ignition sources) such as gas-burning equipment and electric heaters in places where installation, repairs, or similar work on air-conditioning equipment is performed.
3. If a refrigeration gas leakage occurs during installation/servicing, be sure to ventilate fully. If the refrigerant gas comes into contact with fire, a poisonous gas may occur.
4. When installing or removing an air conditioner, do not allow air moisture dust or oil to remain in the refrigeration cycle. Otherwise, pressure in the refrigeration cycle may become abnormally high so that a rupture or personal injury may be caused.
5. After completion of installation work, check to make sure that there is no refrigeration gas leakage. If the refrigerant gas leaks into the room, coming into contact with fire in the fan-driven heater, space heater, etc., a poisonous gas may occur
6. When an air conditioning system charged with a large volume of refrigerant is installed in a small room, it is necessary to exercise care so that, even when refrigerant leaks, its concentration does not exceed the marginal level. If the refrigerant gas leakage occurs and its concentration exceeds the marginal level, an oxygen starvation accident may result.
7. Be sure to carry out installation or removal according to the installation manual. Improper installation may cause refrigeration trouble, water leakage, electric shock, fire, etc.
8. Unauthorized modifications to the air conditioner may be dangerous. If a breakdown occurs please call a qualified air conditioner technician or electrician. Improper repair's may result in water leakage, electric shock and fire, etc.

3-2. Refrigerant Piping Installation

3-2-1. Piping Materials and Joints Used

For the refrigerant piping installation, copper pipes and joints are mainly used. Copper pipes and joints suitable for the refrigerant must be chosen and installed. Furthermore, it is necessary to use clean copper pipes and joints whose interior surfaces are less affected by contaminants.

1. Copper Pipes

It is necessary to use seamless copper pipes which are made of either copper or copper alloy and it is desirable that the amount of residual oil is less than 40 mg/10 m. Do not use copper pipes having a collapsed, deformed or discolored portion (especially on the interior surface).

Otherwise, the expansion valve or capillary tube may become blocked with contaminants.

As an air conditioner using R32 incurs pressure higher than when using R22, it is necessary to choose adequate materials.

Thicknesses of copper pipes used with R32 are as shown in Table 3-2-1. Never use copper pipes thinner than 0.8 mm even when it is available on the market.

Table 3-2-1 Thicknesses of annealed copper pipes

| | | Thickness (mm) | |
|------------------|---------------------|----------------|------|
| Nominal diameter | Outer diameter (mm) | R32(R410A) | R22 |
| 1/4 | 6.35 | 0.80 | 0.80 |
| 3/8 | 9.52 | 0.80 | 0.80 |
| 1/2 | 12.70 | 0.80 | 0.80 |
| 5/8 | 15.88 | 1.00 | 1.00 |

2. Joints

For copper pipes, flare joints or socket joints are used. Prior to use, be sure to remove all contaminants.

a) Flare Joints

Flare joints used to connect the copper pipes cannot be used for pipings whose outer diameter exceeds 20 mm. In such a case, socket joints can be used.

Sizes of flare pipe ends, flare joint ends and flare nuts are as shown in Tables 3-2-3 to 3-2-6 below.

b) Socket Joints

Socket joints are such that they are brazed for connections, and used mainly for thick pipings whose diameter is larger than 20 mm.

Thicknesses of socket joints are as shown in Table 3-2-2.

Table 3-2-2 Minimum thicknesses of socket joints

| Nominal diameter | Reference outer diameter of copper pipe jointed (mm) | Minimum joint thickness (mm) |
|------------------|--|------------------------------|
| 1/4 | 6.35 | 0.50 |
| 3/8 | 9.52 | 0.60 |
| 1/2 | 12.70 | 0.70 |
| 5/8 | 15.88 | 0.80 |

3-2-2. Processing of Piping Materials

When performing the refrigerant piping installation, care should be taken to ensure that water or dust does not enter the pipe interior, that no other oil than lubricating oils used in the installed air-water heat pump is used, and that refrigerant does not leak. When using lubricating oils in the piping processing, use such lubricating oils whose water content has been removed. When stored, be sure to seal the container with an airtight cap or any other cover.

1. Flare processing procedures and precautions

a) Cutting the Pipe

By means of a pipe cutter, slowly cut the pipe so that it is not deformed.

b) Removing Burrs and Chips

If the flared section has chips or burrs, refrigerant leakage may occur.

Carefully remove all burrs and clean the cut surface before installation.

c) Insertion of Flare Nut

d) Flare Processing

Make certain that a clamp bar and copper pipe have been cleaned.

By means of the clamp bar, perform the flare processing correctly.

Use either a flare tool for R32 or conventional flare tool.

Flare processing dimensions differ according to the type of flare tool. When using a conventional flare tool, be sure to secure "dimension A" by using a gauge for size adjustment.

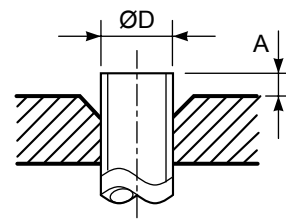


Fig. 3-2-1 Flare processing dimensions

Table 3-2-3 Dimensions related to flare processing for R32(R410A)

| Nominal diameter | Outer diameter (mm) | Thickness (mm) | A (mm) | | |
|------------------|---------------------|----------------|--------------------------------|-------------------------|---------------|
| | | | Flare tool for R32 clutch type | Conventional flare tool | |
| | | | | Clutch type | Wing nut type |
| 1/4 | 6.35 | 0.8 | 0 to 0.5 | 1.0 to 1.5 | 1.5 to 2.0 |
| 3/8 | 9.52 | 0.8 | 0 to 0.5 | 1.0 to 1.5 | 1.5 to 2.0 |
| 1/2 | 12.70 | 0.8 | 0 to 0.5 | 1.0 to 1.5 | 2.0 to 2.5 |
| 5/8 | 15.88 | 1.0 | 0 to 0.5 | 1.0 to 1.5 | 2.0 to 2.5 |

Table 3-2-4 Dimensions related to flare processing for R22

| Nominal diameter | Outer diameter (mm) | Thickness (mm) | A (mm) | | |
|------------------|---------------------|----------------|--------------------------------|-------------------------|---------------|
| | | | Flare tool for R22 clutch type | Conventional flare tool | |
| | | | | Clutch type | Wing nut type |
| 1/4 | 6.35 | 0.8 | 0 to 0.5 | 0.5 to 1.0 | 1.0 to 1.5 |
| 3/8 | 9.52 | 0.8 | 0 to 0.5 | 0.5 to 1.0 | 1.0 to 1.5 |
| 1/2 | 12.70 | 0.8 | 0 to 0.5 | 0.5 to 1.0 | 1.5 to 2.0 |
| 5/8 | 15.88 | 1.0 | 0 to 0.5 | 0.5 to 1.0 | 1.5 to 2.0 |

Table 3-2-5 Flare and flare nut dimensions for R32(R410A)

| Nominal diameter | Outer diameter (mm) | Thickness (mm) | Dimension (mm) | | | | Flare nut width (mm) |
|------------------|---------------------|----------------|----------------|------|------|----|----------------------|
| | | | A | B | C | D | |
| 1/4 | 6.35 | 0.8 | 9.1 | 9.2 | 6.5 | 13 | 17 |
| 3/8 | 9.52 | 0.8 | 13.2 | 13.5 | 9.7 | 20 | 22 |
| 1/2 | 12.70 | 0.8 | 16.6 | 16.0 | 12.9 | 23 | 26 |
| 5/8 | 15.88 | 1.0 | 19.7 | 19.0 | 16.0 | 25 | 29 |

Table 3-2-6 Flare and flare nut dimensions for R22

| Nominal diameter | Outer diameter (mm) | Thickness (mm) | Dimension (mm) | | | | Flare nut width (mm) |
|------------------|---------------------|----------------|----------------|------|------|----|----------------------|
| | | | A | B | C | D | |
| 1/4 | 6.35 | 0.8 | 9.0 | 9.2 | 6.5 | 13 | 17 |
| 3/8 | 9.52 | 0.8 | 13.0 | 13.5 | 9.7 | 20 | 22 |
| 1/2 | 12.70 | 0.8 | 16.2 | 16.0 | 12.9 | 20 | 24 |
| 5/8 | 15.88 | 1.0 | 19.7 | 19.0 | 16.0 | 23 | 27 |
| 3/4 | 19.05 | 1.0 | 23.3 | 24.0 | 19.2 | 34 | 36 |

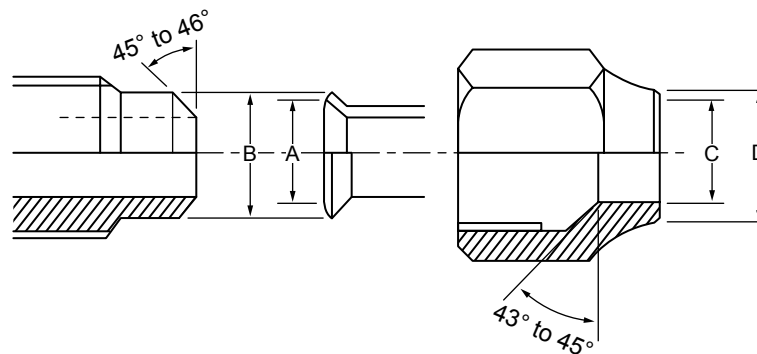


Fig. 3-2-2 Relations between flare nut and flare seal surface

2. Flare Connecting Procedures and Precautions

- Make sure that the flare and union portions do not have any scar or dust, etc.
- Correctly align the processed flare surface with the union axis.
- Tighten the flare with designated torque by means of a torque wrench. The tightening torque for R32 is the same as that for conventional R22. Incidentally, when the torque is weak, the gas leakage may occur. When it is strong, the flare nut may crack and may be made non-removable. When choosing the tightening torque, comply with values designated by manufacturers. Table 3-2-7 shows reference values.

NOTE :

When applying oil to the flare surface, be sure to use oil designated by the manufacturer. If any other oil is used, the lubricating oils may deteriorate and cause the compressor to burn out.

Table 3-2-7 Tightening torque of flare for R32(R410A) [Reference values]

| Nominal diameter | Outer diameter (mm) | Tightening torque N·m (kgf·cm) | Tightening torque of torque wrenches available on the market N·m (kgf·cm) |
|------------------|---------------------|--------------------------------|---|
| 1/4 | 6.35 | 14 to 18 (140 to 180) | 16 (160), 18 (180) |
| 3/8 | 9.52 | 33 to 42 (330 to 420) | 42 (420) |
| 1/2 | 12.70 | 50 to 62 (500 to 620) | 55 (550) |
| 5/8 | 15.88 | 63 to 77 (630 to 770) | 65 (650) |

3-3. Tools

3-3-1. Required Tools

The service port diameter of packed valve of the outdoor unit in the air-water heat pump using R32 is changed to prevent mixing of other refrigerant. To reinforce the pressure-resisting strength, flare processing dimensions and opposite side dimension of flare nut (For $\varnothing 12.7$ copper pipe) of the refrigerant piping are lengthened.

The used refrigerating oil is changed, and mixing of oil may cause a trouble such as generation of sludge, clogging of capillary, etc. Accordingly, the tools to be used are classified into the following three types.

1. Tools exclusive for R32 (Those which cannot be used for conventional refrigerant (R22))
2. Tools exclusive for R32, but can be also used for conventional refrigerant (R22)
3. Tools commonly used for R32 and for conventional refrigerant (R22)

The table below shows the tools exclusive for R32 and their interchangeability.

Tools exclusive for R32 (The following tools for R410A are required.)

Tools whose specifications are changed for R32 and their interchangeability

| No. | Used tool | Usage | R32(R410A) air-water heat pump installation | | Conventional air-water heat pump installation |
|-----|---|--|--|--|---|
| | | | Existence of new equipment for R32 | Whether conven- tional equipment can be used | Whether new equipment can be used with conventional refrigerant |
| 1 | Flare tool | Pipe flaring | Yes | *(Note 1) | ○ |
| 2 | Copper pipe gauge for adjusting projection margin | Flaring by conventional flare tool | Yes | *(Note 1) | *(Note 1) |
| 3 | Torque wrench (For $\varnothing 12.7$) | Connection of flare nut | Yes | × | × |
| 4 | Gauge manifold | Evacuating, refrigerant charge, run check, etc. | Yes | × | × |
| 5 | Charge hose | | | | |
| 6 | Vacuum pump adapter | Vacuum evacuating | Yes | × | ○ |
| 7 | Electronic balance for refrigerant charging | Refrigerant charge | Yes | × | ○ |
| 8 | Leakage detector | Gas leakage check | Yes | × | ○ |

(Note 1) When flaring is carried out for R32(R410A) using the conventional flare tools, adjustment of projection margin is necessary. For this adjustment, a copper pipe gauge, etc. are necessary.

General tools (Conventional tools can be used.)

In addition to the above exclusive tools, the following equipments which serve also for R22 are necessary as the general tools.

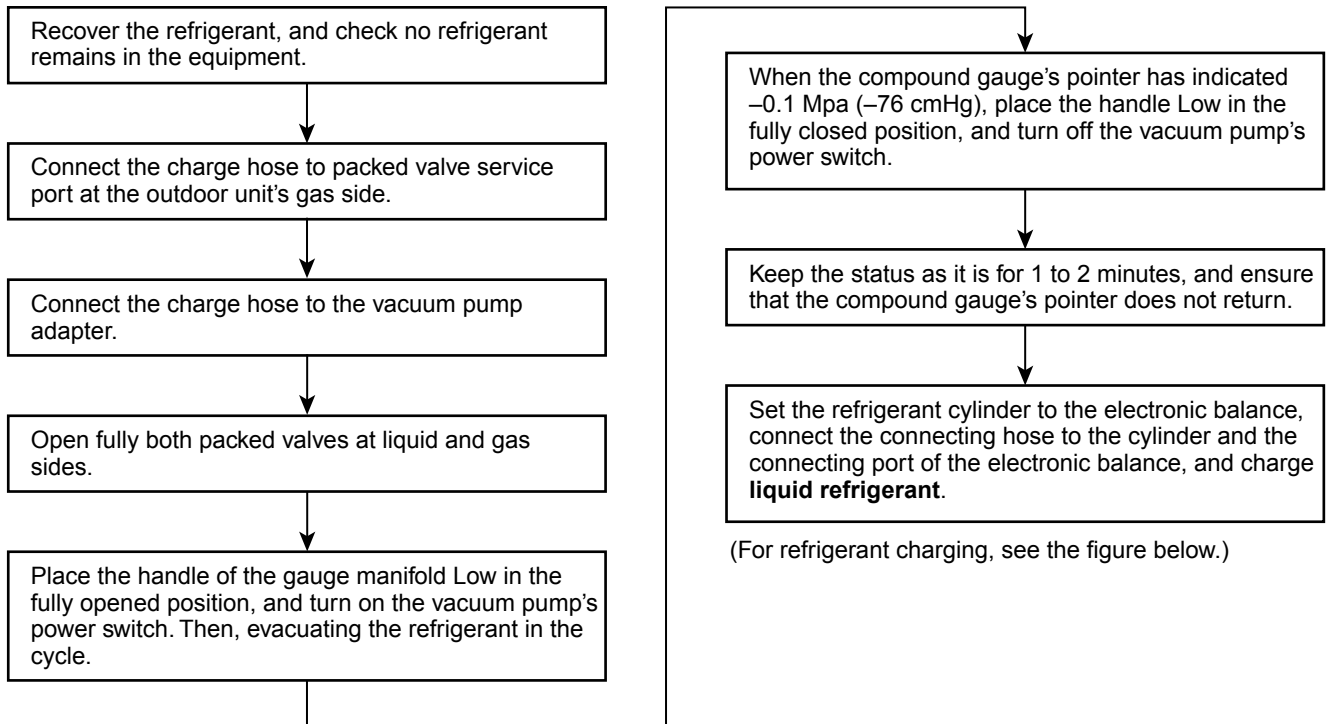
- | | | |
|--|-----------------------------|---|
| 1. Vacuum pump Use vacuum pump by attaching vacuum pump adapter. | 4. Reamer | 9. Hole core drill ($\varnothing 65$) |
| 2. Torque wrench (For $\varnothing 6.35$, $\varnothing 9.52$) | 5. Pipe bender | 10. Hexagon wrench (Opposite side 4mm) |
| 3. Pipe cutter | 6. Level vial | 11. Tape measure |
| | 7. Screwdriver (+, -) | 12. Metal saw |
| | 8. Spanner or Monkey wrench | |

Also prepare the following equipments for other installation method and run check.

- | | |
|----------------|---------------------------------|
| 1. Clamp meter | 3. Insulation resistance tester |
| 2. Thermometer | 4. Electroscop |

3-4. Recharging of Refrigerant

When it is necessary to recharge refrigerant, charge the specified amount of new refrigerant according to the following steps.



1. Never charge refrigerant exceeding the specified amount.
2. If the specified amount of refrigerant cannot be charged, charge refrigerant **bit by bit** in COOL mode.
3. Do not carry out additional charging.

When additional charging is carried out if refrigerant leaks, the refrigerant composition changes in the refrigeration cycle, that is characteristics of the air conditioner changes, refrigerant exceeding the specified amount is charged, and working pressure in the refrigeration cycle becomes abnormally high pressure, and may cause a rupture or personal injury.

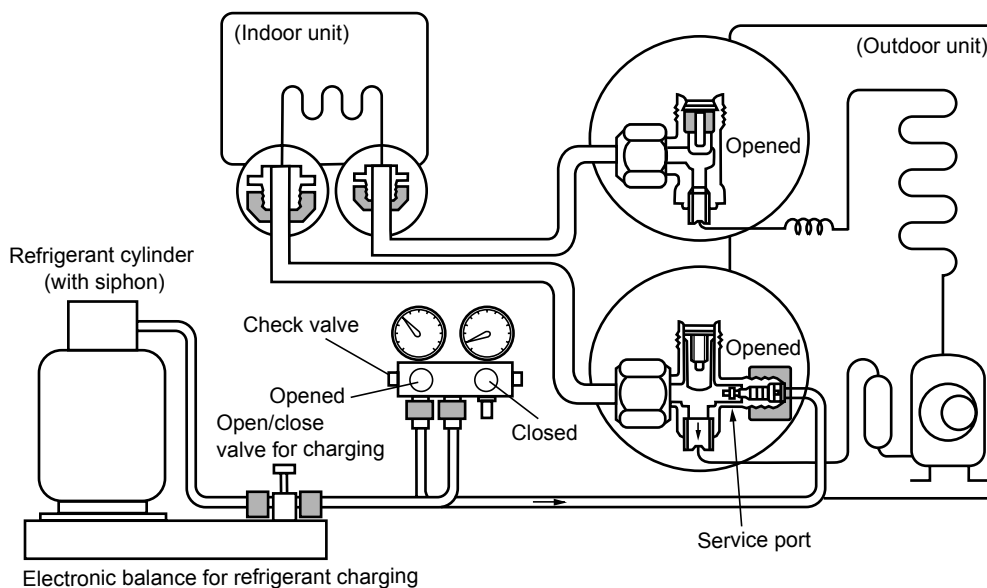


Fig. 3-4-1 Configuration of refrigerant charging

1. Be sure to make setting so that **liquid** can be charged.
2. When using a cylinder equipped with a siphon, liquid can be charged without turning it upside down.

Accordingly, when charging refrigerant from the refrigerant cylinder to the equipment, charge it turning the cylinder upside down if cylinder is not equipped with siphon.

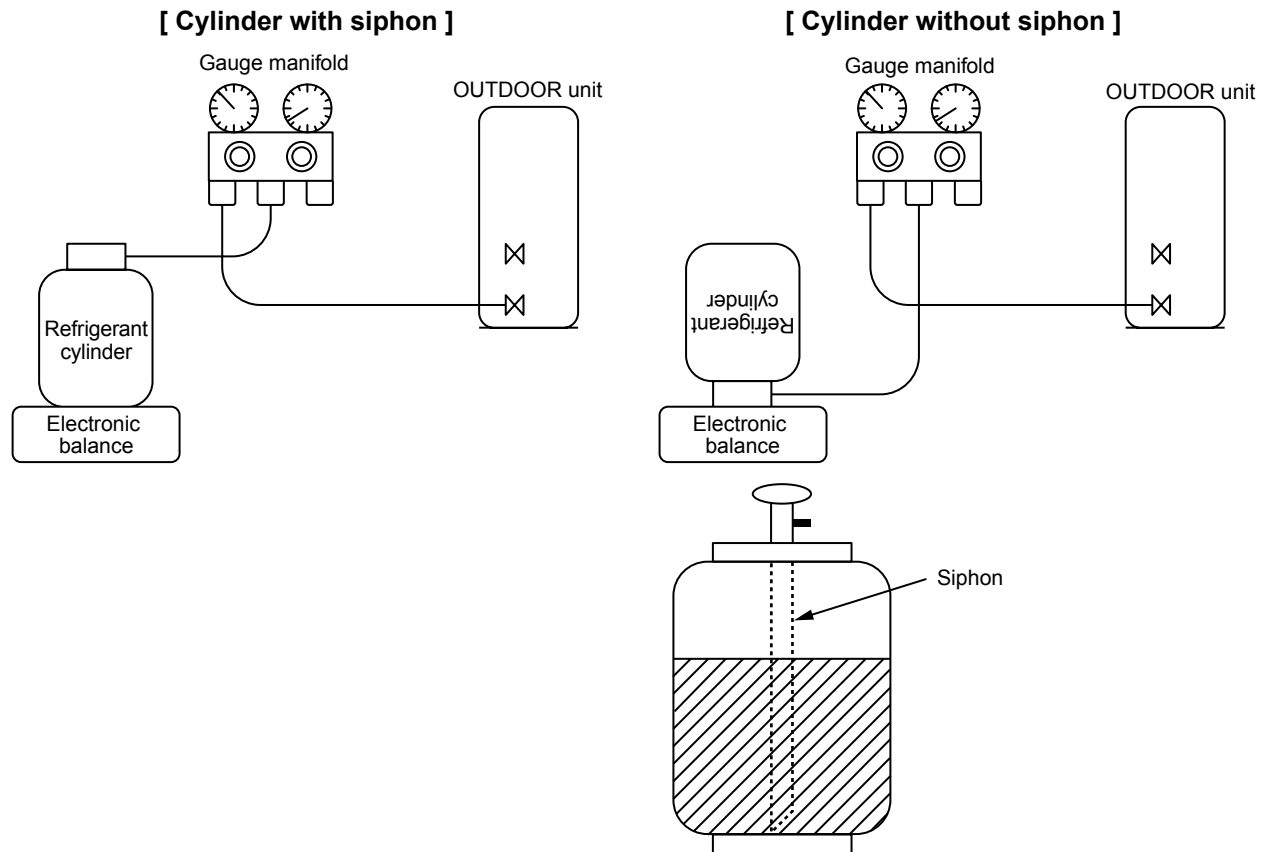


Fig. 3-4-2

3-5. Brazing of Pipes

3-5-1. Materials for Brazing

1. Silver brazing filler

Silver brazing filler is an alloy mainly composed of silver and copper. It is used to join iron, copper or copper alloy, and is relatively expensive though it excels in solderability.

2. Phosphor bronze brazing filler

Phosphor bronze brazing filler is generally used to join copper or copper alloy.

3. Low temperature brazing filler

Low temperature brazing filler is generally called solder, and is an alloy of tin and lead. Since it is weak in adhesive strength, do not use it for refrigerant pipes.

1. Phosphor bronze brazing filler tends to react with sulfur and produce a fragile compound water solution, which may cause a gas leakage. Therefore, use any other type of brazing filler at a hot spring resort, etc., and coat the surface with a paint.
2. When performing brazing again at time of servicing, use the same type of brazing filler.

3-5-2. Flux

1. Reason why flux is necessary

- By removing the oxide film and any foreign matter on the metal surface, it assists the flow of brazing filler.
- In the brazing process, it prevents the metal surface from being oxidized.
- By reducing the brazing filler's surface tension, the brazing filler adheres better to the treated metal.

2. Characteristics required for flux

- Activated temperature of flux coincides with the brazing temperature.
- Due to a wide effective temperature range, flux is hard to carbonize.
- It is easy to remove slag after brazing.
- The corrosive action to the treated metal and brazing filler is minimum.
- It excels in coating performance and is harmless to the human body.

As the flux works in a complicated manner as described above, it is necessary to select an adequate type of flux according to the type and shape of treated metal, type of brazing filler and brazing method, etc.

3. Types of flux

• Noncorrosive flux

Generally, it is a compound of borax and boric acid.

It is effective in case where the brazing temperature is higher than 800°C.

• Activated flux

Most of fluxes generally used for silver brazing are this type.

It features an increased oxide film removing capability due to the addition of compounds such as potassium fluoride, potassium chloride and sodium fluoride to the borax-boric acid compound.

4. Piping materials for brazing and used brazing filler/flux

| Piping material | Used brazing filler | Used flux |
|-----------------|---------------------|------------|
| Copper - Copper | Phosphor copper | Do not use |
| Copper - Iron | Silver | Paste flux |
| Iron - Iron | Silver | Vapor flux |

1. Do not enter flux into the refrigeration cycle.
2. When chlorine contained in the flux remains within the pipe, the lubricating oil deteriorates. Therefore, use a flux which does not contain chlorine.
3. When adding water to the flux, use water which does not contain chlorine (e.g. distilled water or ion-exchange water).
4. Remove the flux after brazing.

3-5-3. Brazing

As brazing work requires sophisticated techniques, experiences based upon a theoretical knowledge, it must be performed by a person qualified.

In order to prevent the oxide film from occurring in the pipe interior during brazing, it is effective to proceed with brazing while letting dry Nitrogen gas (N₂) flow.

Never use gas other than Nitrogen gas.

1. Brazing method to prevent oxidation

- 1) Attach a reducing valve and a flow-meter to the Nitrogen gas cylinder.
- 2) Use a copper pipe to direct the piping material, and attach a flow-meter to the cylinder.
- 3) Apply a seal onto the clearance between the piping material and inserted copper pipe for Nitrogen in order to prevent backflow of the Nitrogen gas.
- 4) When the Nitrogen gas is flowing, be sure to keep the piping end open.
- 5) Adjust the flow rate of Nitrogen gas so that it is lower than 0.05 m³/Hr or 0.02 MPa (0.2kgf/cm²) by means of the reducing valve.
- 6) After performing the steps above, keep the Nitrogen gas flowing until the pipe cools down to a certain extent (temperature at which pipes are touchable with hands).
- 7) Remove the flux completely after brazing.

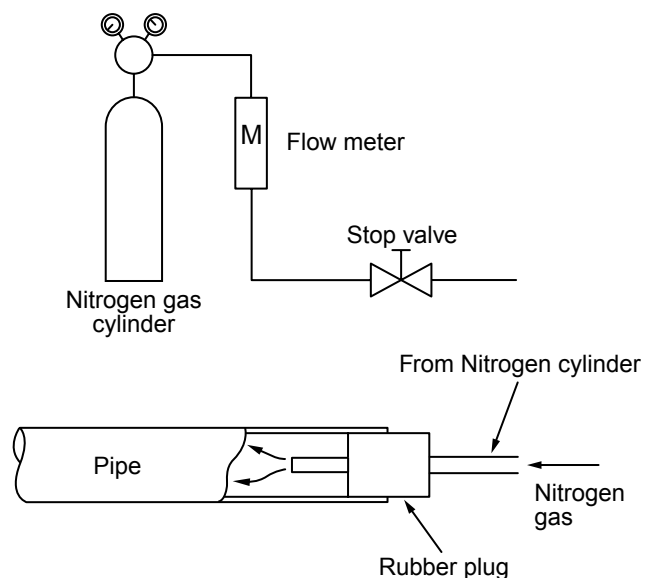
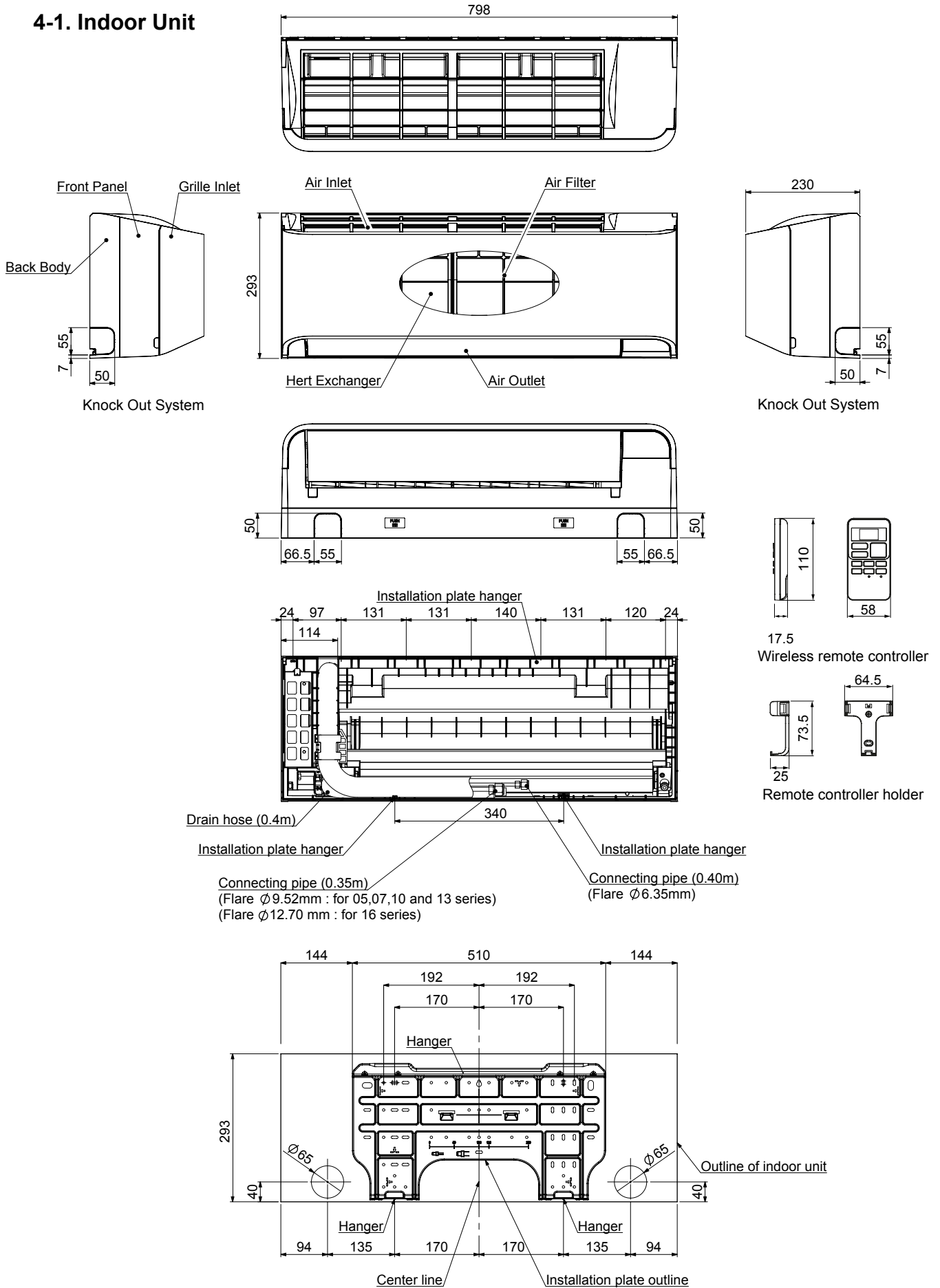


Fig. 3-5-1 Prevention of oxidation during brazing

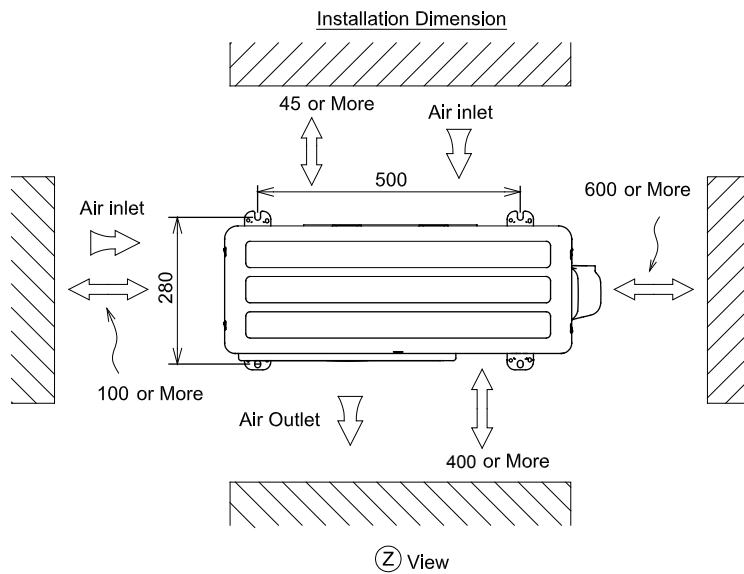
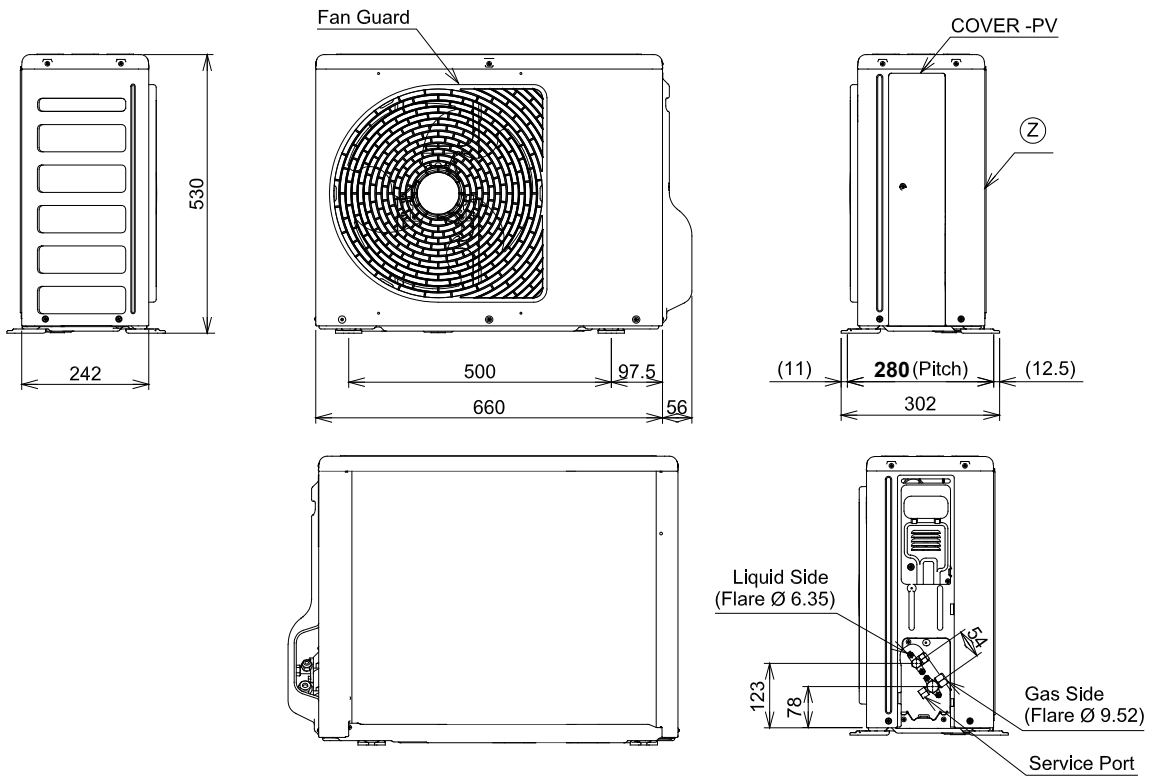
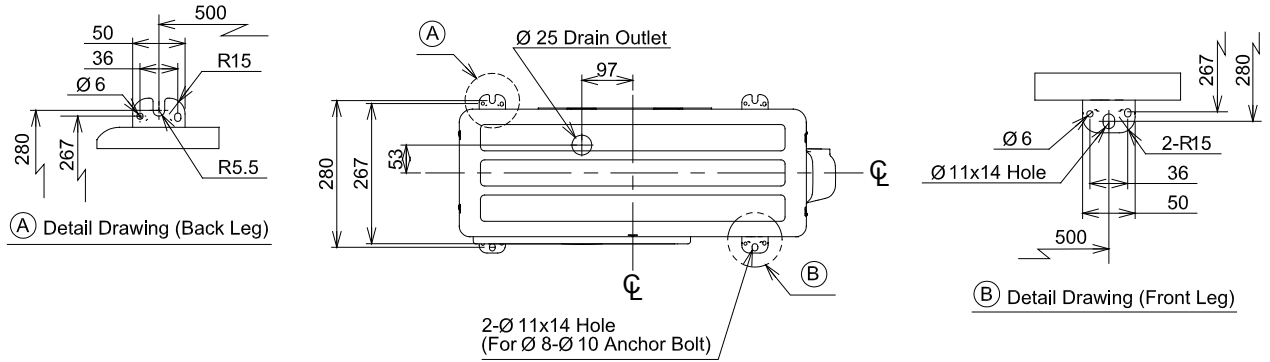
4. CONSTRUCTION VIEWS

4-1. Indoor Unit



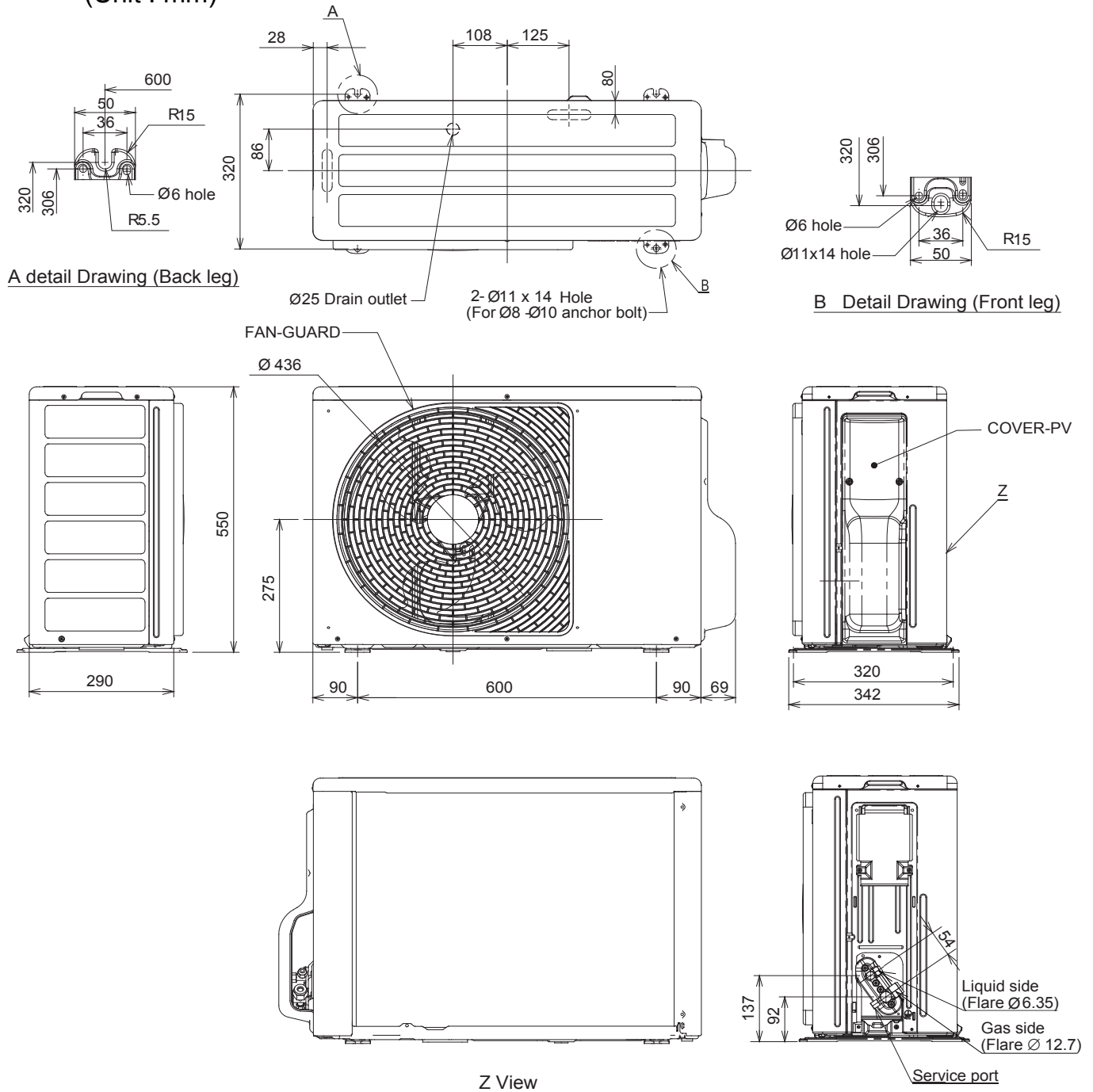
4-2. Outdoor Unit (RAS-05,07BAVG-E, RAS-10,13BAVG-E1)

(Unit : mm)



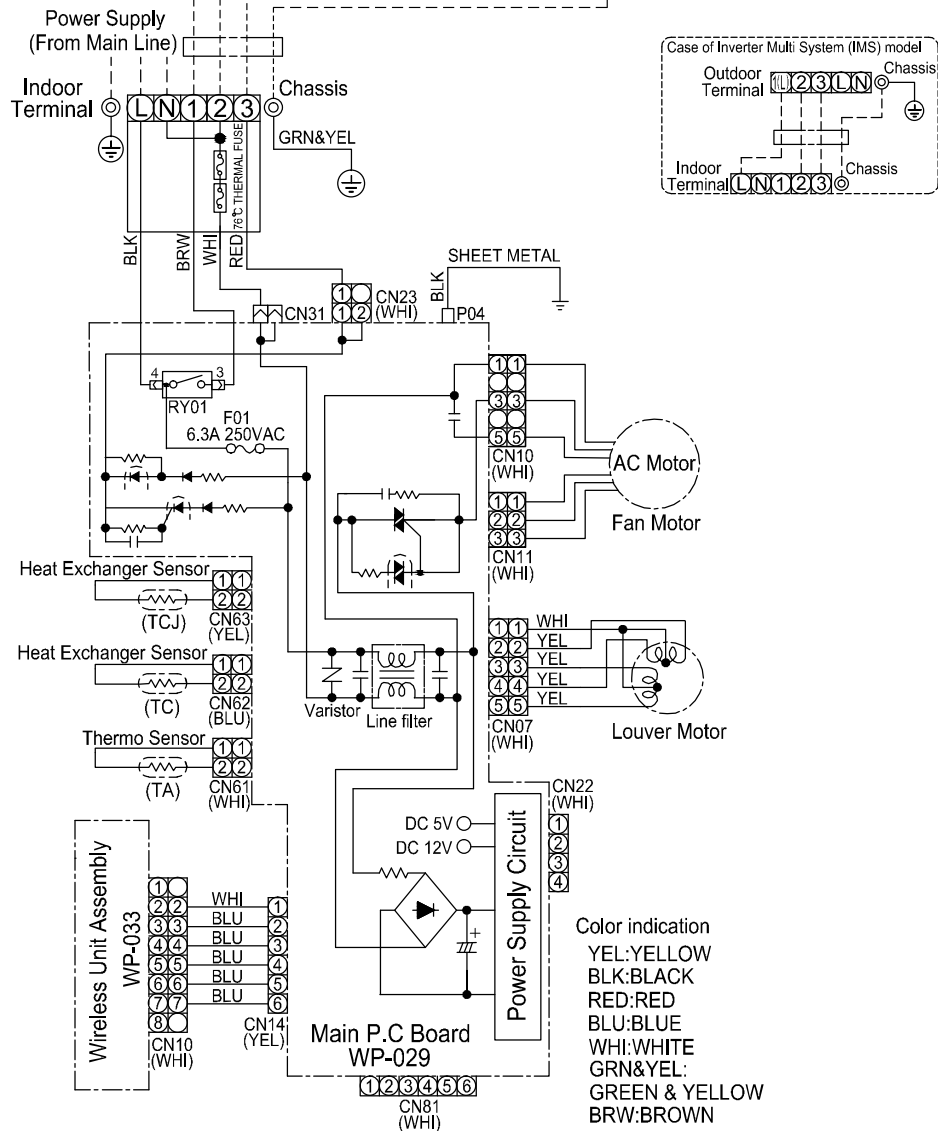
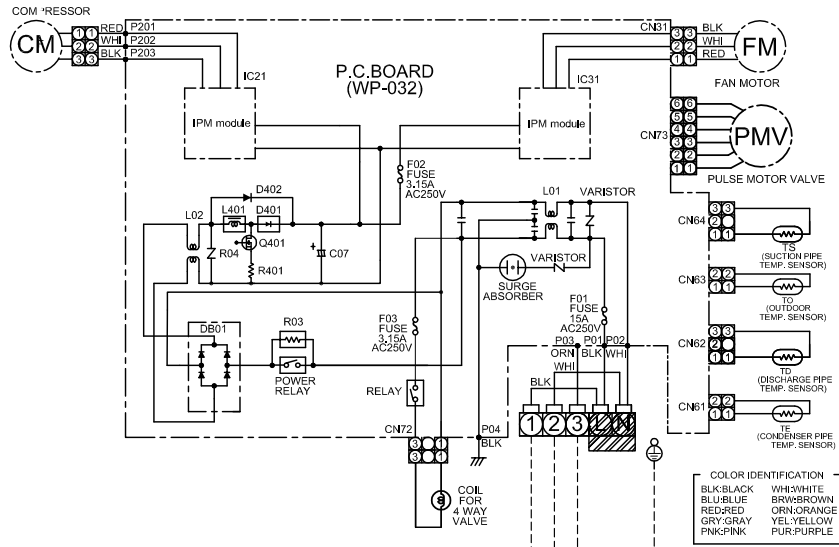
4-3. Outdoor Unit (RAS-16BAVG-E)

(Unit : mm)

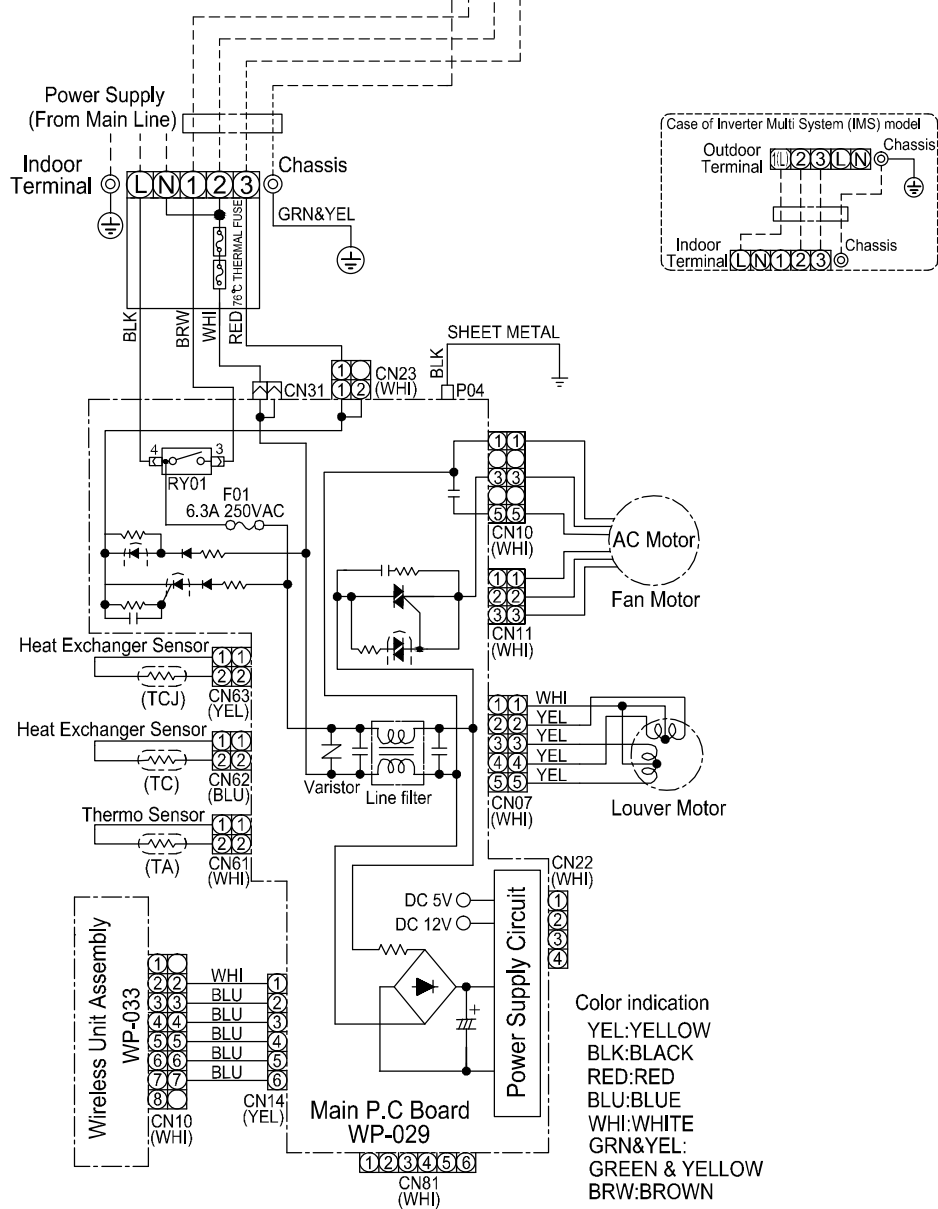
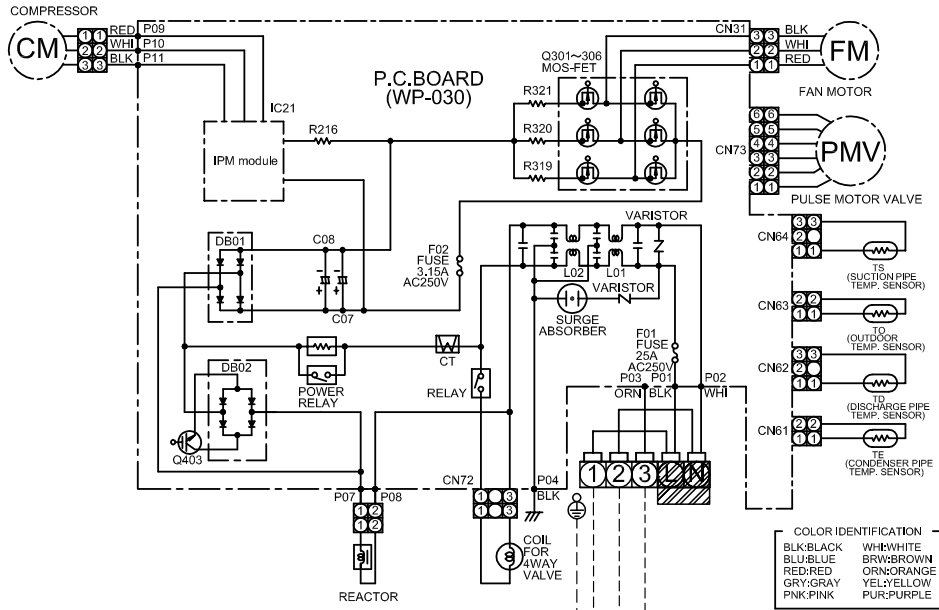


5. WIRING DIAGRAM

RAS-B05BKVG-E / RAS-05BAVG-E
 RAS-B07BKVG-E / RAS-07BAVG-E
 RAS-B10BKVG-E / RAS-10BAVG-E1
 RAS-B13BKVG-E / RAS-13BAVG-E1



RAS-B16BKV-E / RAS-16BAV-E



6. SPECIFICATIONS OF ELECTRICAL PARTS

6-1. Indoor Unit

| No. | Parts name | Type | Specificat |
|-----|--|---------------------|--------------------------------|
| 1 | Fan Motor (for indoor) | RAS-B05, 07, 10, 13 | SJM-240-25 AC 220~240V, 25W |
| | | RAS-B16 | SJM-240-35 AC 220~240V, 35W |
| 2 | Room temp. sensor (TA-sensor) | (-) | 10kΩ at 25°C |
| 3 | Heat exchanger temp. sensor (TC-sensor) | (-) | 10kΩ at 25°C |
| 4 | Heat exchanger temp. sensor (TCJ-sensor) | (-) | 10kΩ at 25°C |
| 5 | Louver motor | 24BYJ48A-080 | Output (Rated) 4 phase, DC12V |

6-2. Outdoor Unit

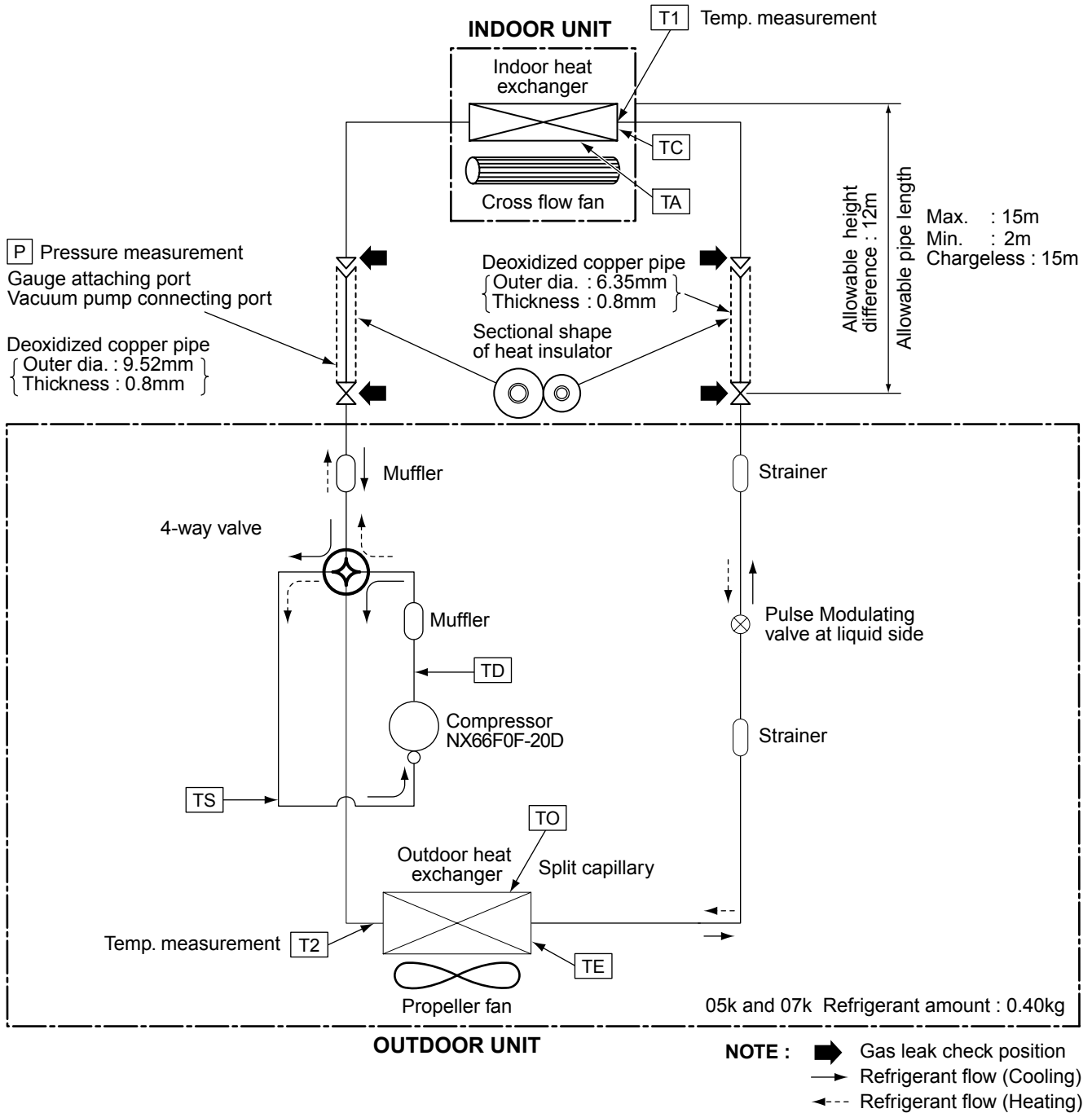
| No. | Parts name | Type name | Specifications |
|-----|---|---------------------|---|
| 1 | Compressor | RAS-05, 07 | NX66F0F-20D 3-Phases (6-Poles) ; 630W |
| | | RAS-10, 13 | KSK89D53UEZ 3-Phases (6-Poles) ; 712W |
| | | RAS-16 | KSN108D22UFZ 3-Phases (6-Poles) ; 840W |
| 2 | Fan Motor | RAS-05, 07,16 | WDF-340-A43-1 DC 140-340V ; 43W |
| | | RAS-10,13 | ICF-140-43-4R DC 140-340V ; 43W |
| 3 | Pulse Modulating Valve (PMV) coil | PQ-M10012-000313 | DC 12V |
| 4 | 4-Way valve coil | DXQ-939 | AC 220-240V |
| 5 | Reactor | RAS-16 | CH-69-Z-T L = 19mH, 10A |
| 6 | Suction temp. sensor (TS sensor) | (Inverter attached) | 10kΩ at 25°C |
| 7 | Discharge temp. sensor (TD sensor) | (Inverter attached) | 62kΩ at 20°C |
| 8 | Outside air temp. sensor (TO sensor) | (Inverter attached) | 10kΩ at 25°C |
| 9 | Heat Exchanger temp. sensor (TE sensor) | (Inverter attached) | 10kΩ at 25°C |
| 10 | Terminal block (5 poles) | JXO-5B | AC 250V, 20A |

7. REFRIGERANT CYCLE DIAGRAM

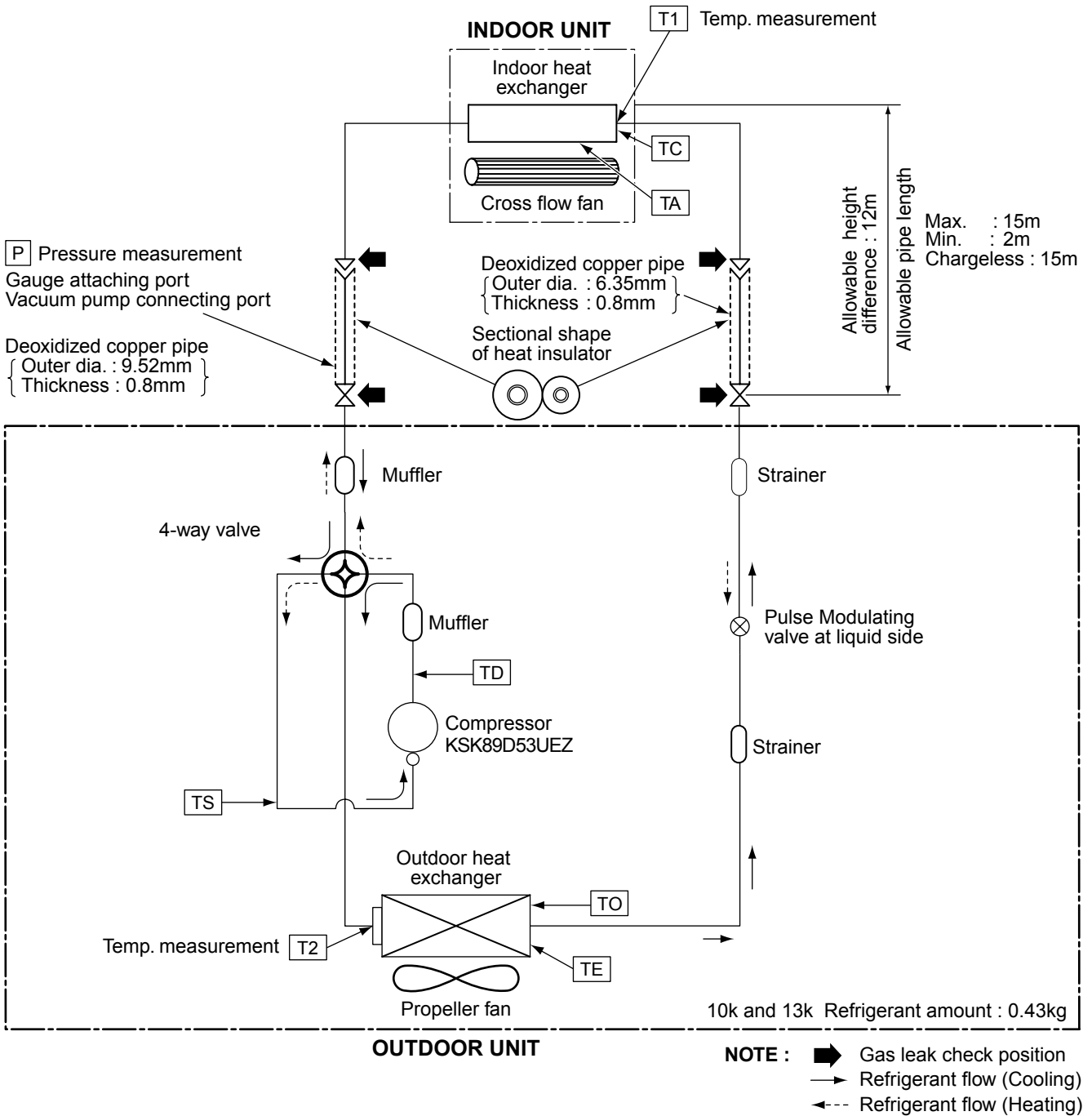
7-1. Refrigerant Cycle Diagram

RAS-B05BKVG-E / RAS-05BAVG-E

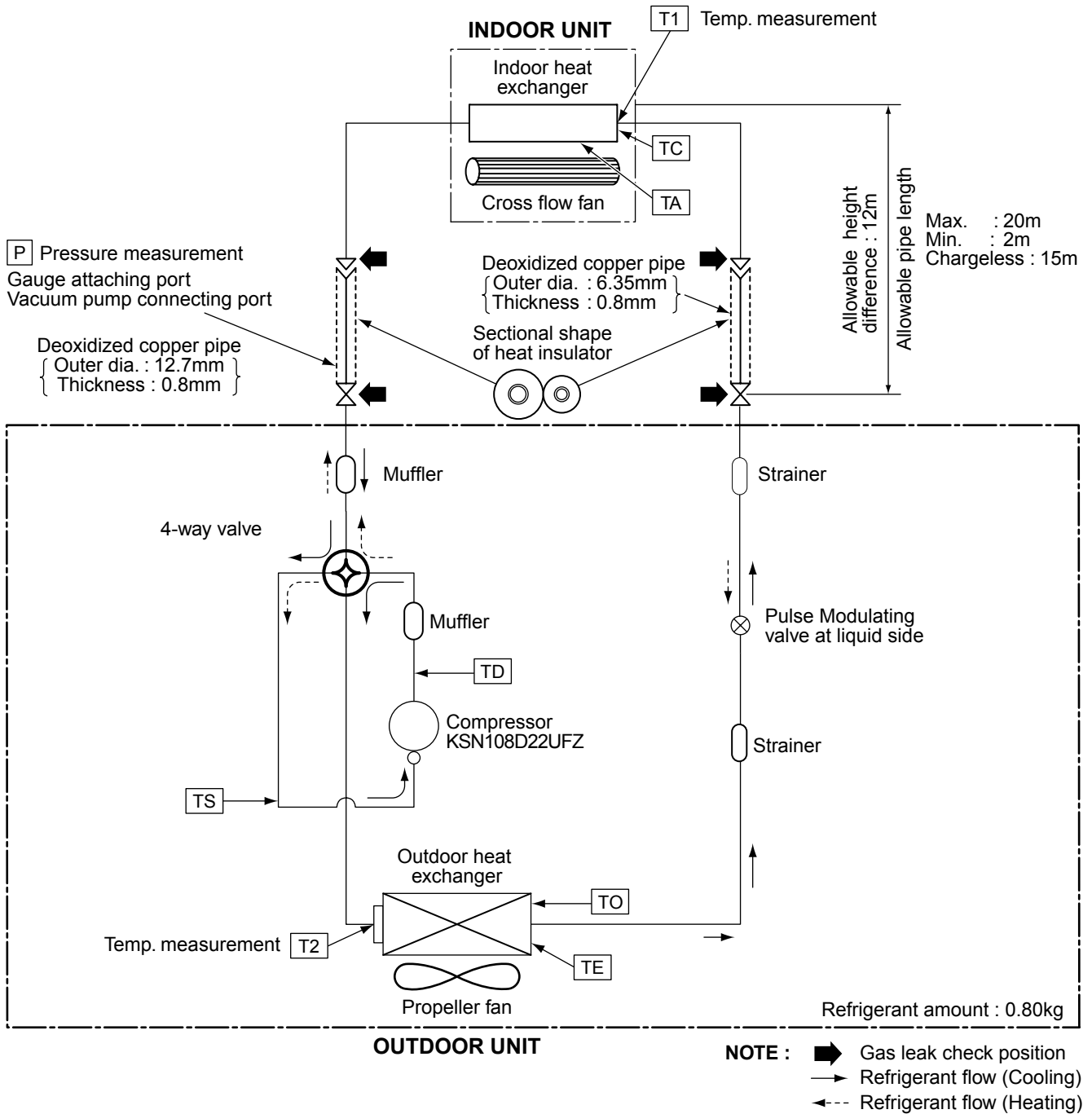
RAS-B07BKVG-E / RAS-07BAVG-E



RAS-B10BKVG-E / RAS-10BAVG-E1
RAS-B13BKVG-E / RAS-13BAVG-E1



RAS-B16BKVG-E / RAS-16BAVG-E



7-2. Operation Data

<Cooling>

| Temperature condition(°C) | | Model name RAS- | Standard pressure P (MPa) | Heat exchanger pipe temp. | | Indoor fan mode | Outdoor fan mode | Compressor revolution (rps) |
|---------------------------|---------|--------------------|------------------------------|---------------------------|----------|-----------------|------------------|-----------------------------|
| Indoor | Outdoor | | | T1 (°C) | T2 (°C) | | | |
| 27/19 | 35/- | B05BKVG-E | 1.2 to 1.3 | 13 to 15 | 43 to 45 | High | High | 36 |
| | | B07BKVG-E | 1.1 to 1.3 | 11 to 13 | 47 to 49 | High | High | 52 |
| | | B10BKVG-E | 1.1 to 1.3 | 11 to 13 | 59 to 51 | High | High | 52 |
| | | B13BKVG-E | 1.0 to 1.1 | 9 to 10 | 51 to 52 | High | High | 78 |
| | | B16BKVG-E | 1.0 to 1.1 | 9 to 10 | 47 to 58 | High | High | 86 |

<Heating>

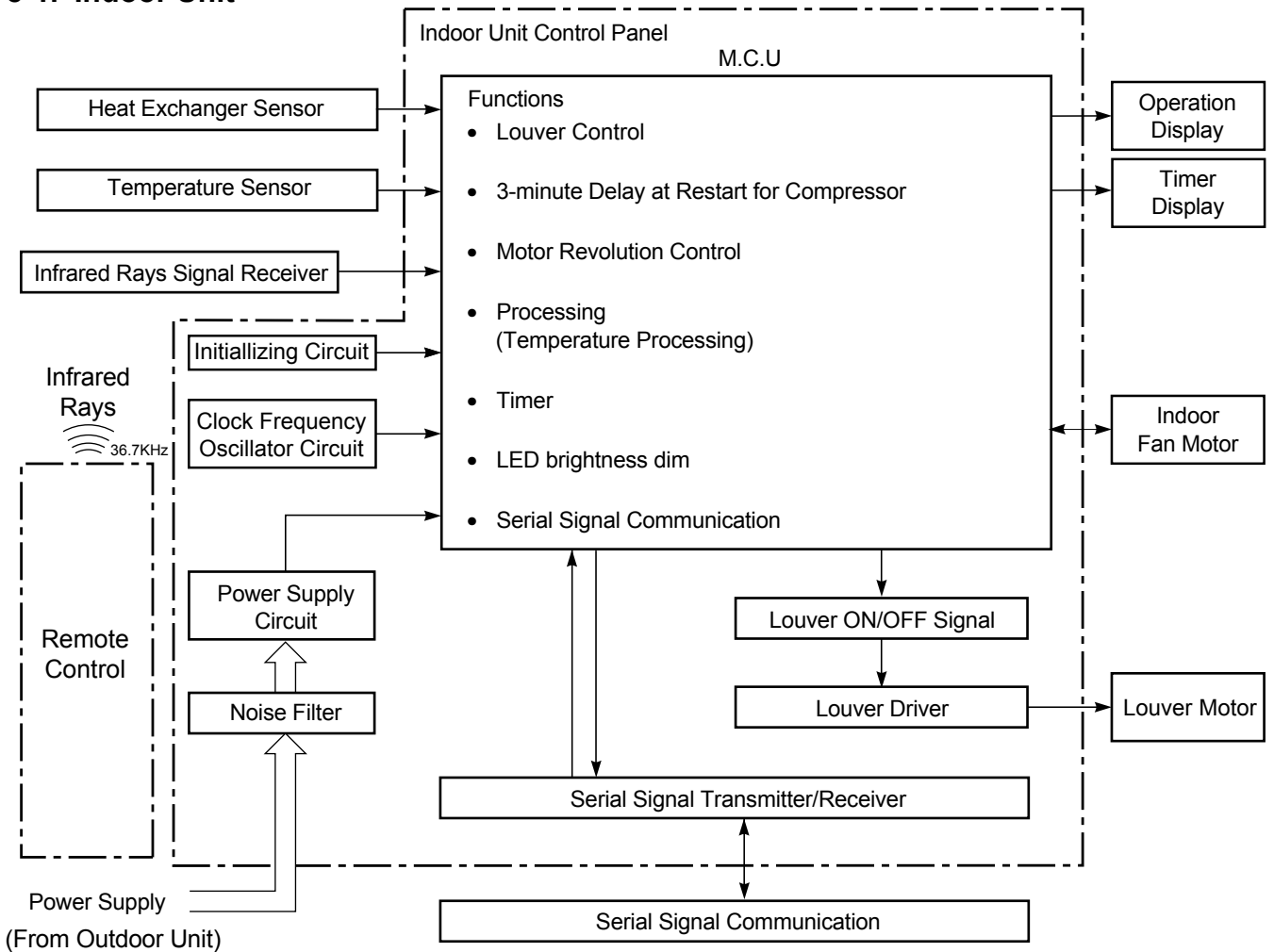
| Temperature condition(°C) | | Model name RAS- | Standard pressure P (MPa) | Heat exchanger pipe temp. | | Indoor fan mode | Outdoor fan mode | Compressor revolution (rps) |
|---------------------------|---------|--------------------|------------------------------|---------------------------|---------|-----------------|------------------|-----------------------------|
| Indoor | Outdoor | | | T1 (°C) | T2 (°C) | | | |
| 20/- | 7/6 | B05BKVG-E | 2.1 to 2.2 | 34 to 36 | 1 to 2 | High | High | 51 |
| | | B07BKVG-E | 2.1 to 2.4 | 35 to 40 | 0 to 1 | High | High | 65 |
| | | B10BKVG-E | 2.4 to 2.6 | 40 to 42 | 0 to 1 | High | High | 68 |
| | | B13BKVG-E | 2.6 to 2.7 | 43 to 44 | 0 to 1 | High | High | 73 |
| | | B16BKVG-E | 2.8 to 2.9 | 45 to 47 | 1 to 2 | High | High | 84 |

NOTES :

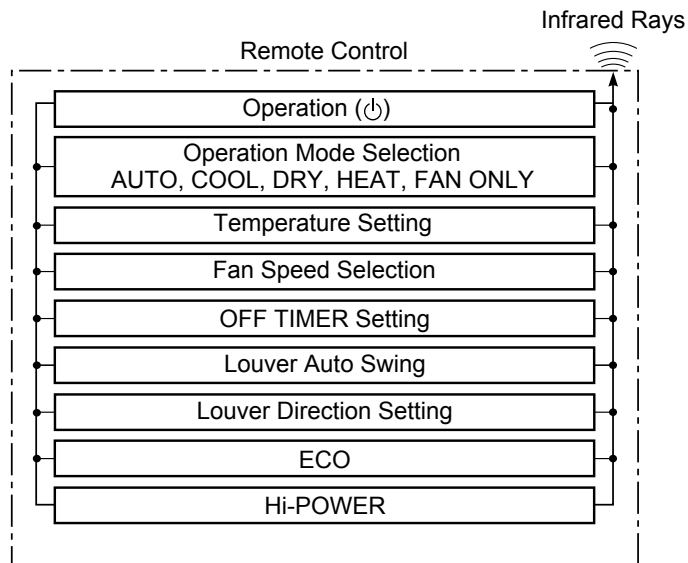
1. Measure surface temperature of heat exchanger pipe around center of heat exchanger path U bent.
(Thermistor thermometer)
2. Connecting piping condition : 5 m

8. CONTROL BLOCK DIAGRAM

8-1. Indoor Unit

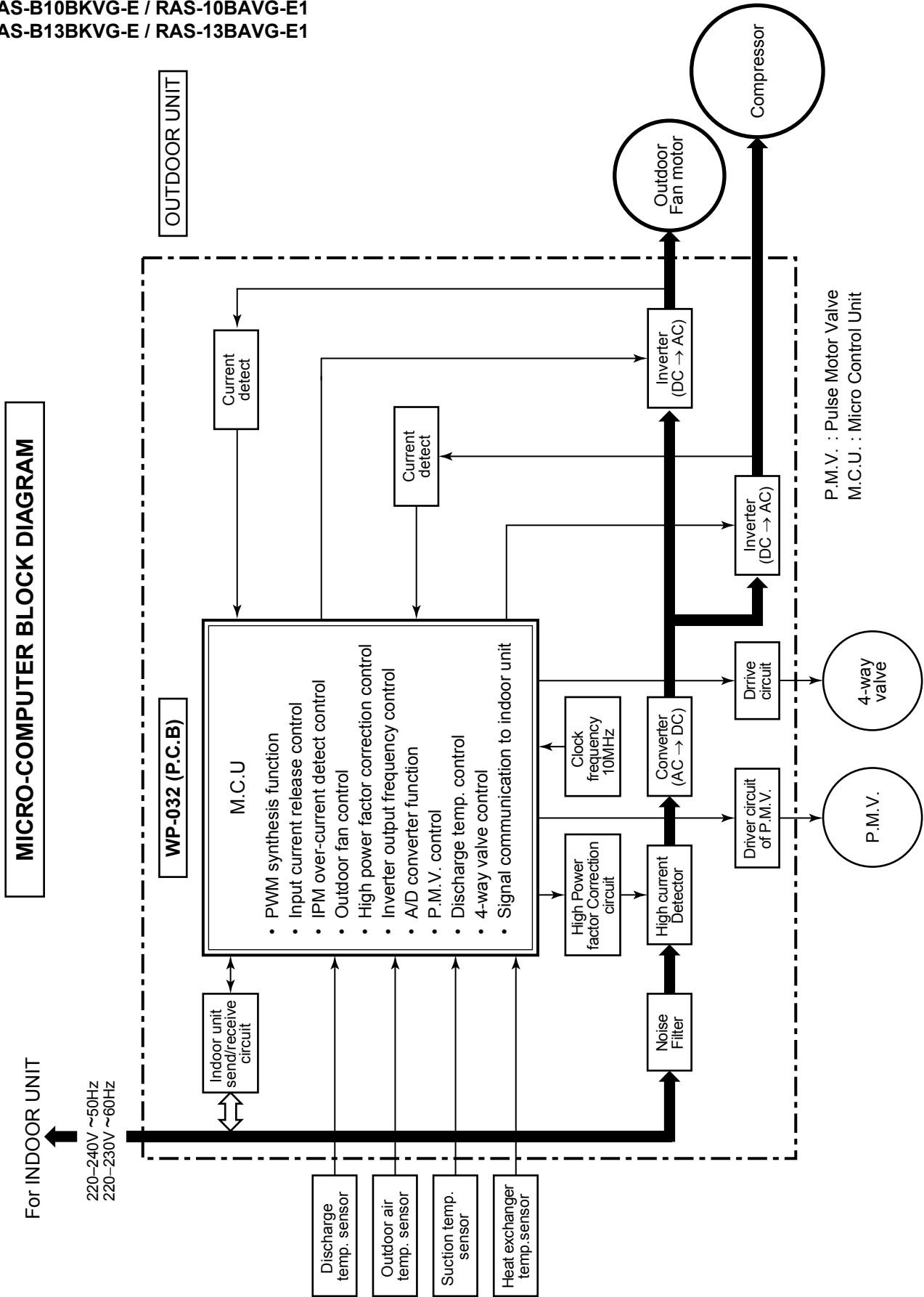


REMOTE CONTROL

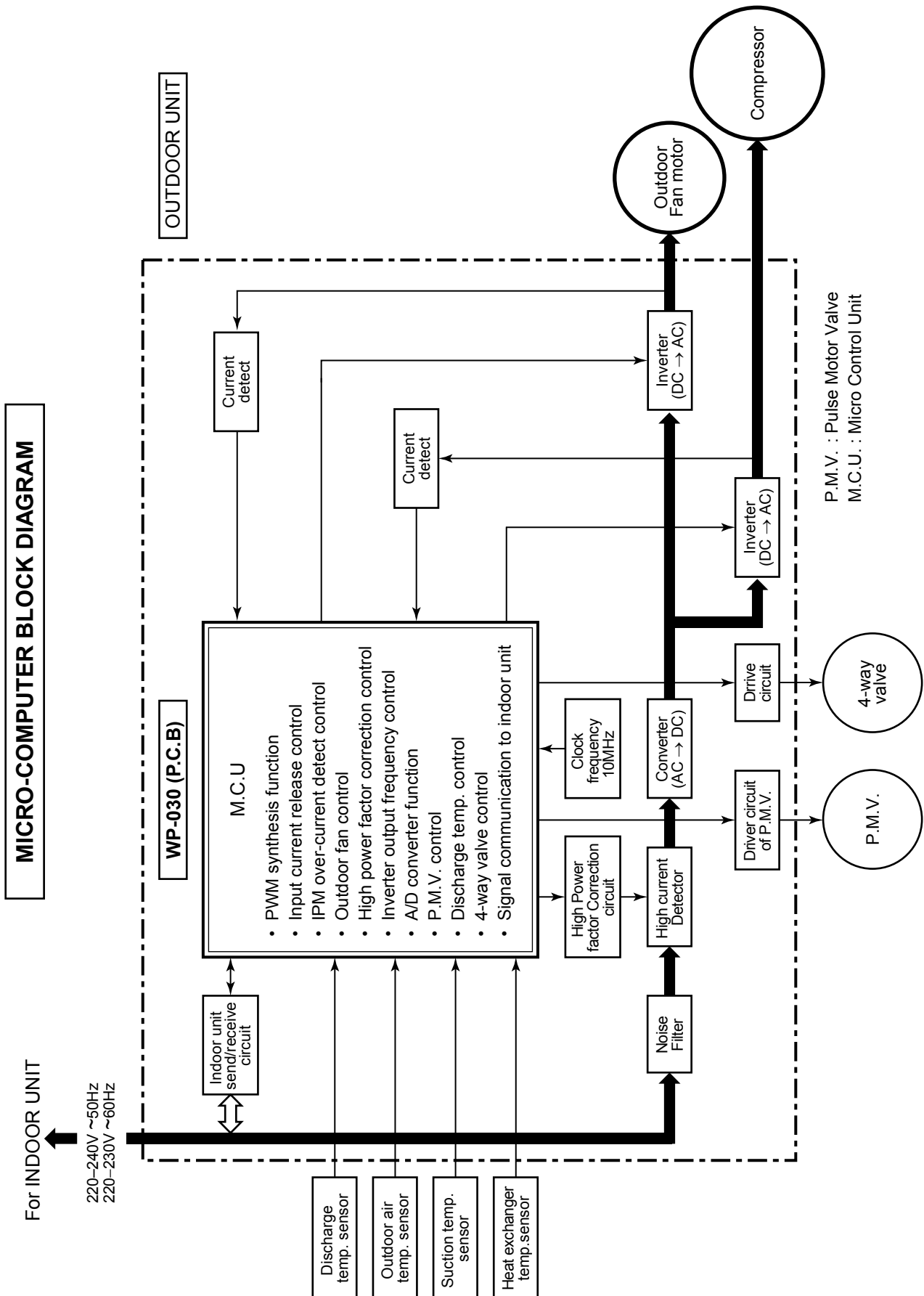


8-2. Outdoor Unit (Inverter Assembly)

RAS-B05BKVG-E / RAS-05BAVG-E
 RAS-B07BKVG-E / RAS-07BAVG-E
 RAS-B10BKVG-E / RAS-10BAVG-E1
 RAS-B13BKVG-E / RAS-13BAVG-E1



RAS-16BKVG-E / RAS-16BAVG-E



9. OPERATION DESCRIPTION

9-1. Outline of Air Conditioner Control

This air conditioner is a capacity-variable type air conditioner. Its system can control the speed of compressor motor according to load. The drive circuit for the indoor motor is mounted in the indoor unit. The drive circuits for outdoor motor and compressor are mounted in the outdoor unit.

The entire air conditioner is mainly controlled by the indoor unit controller. The indoor unit controller drives the indoor fan motor based upon command sent from the remote controller. Moreover, it also determines required speed of compressor motor and then transfers the operation command to the outdoor unit controller.

The outdoor unit controller receives operation command from the indoor unit and controls revolution speed of the compressor motor.

The outdoor unit controller controls speed of compressor motor by controlling output voltage of the inverter and switching timing of supply power (current transfer timing), so that compressor motor operates according to the operation command. And then, the outdoor unit controller transfers the operating status back to the indoor unit controller.

As the compressor adopts four-pole brushless DC motor, the frequency of the supply power from inverter to compressor is two-times cycles of the actual number of revolution.

1. Role of indoor unit controller

The indoor unit controller judges the operation commands from the remote controller and assumes the following functions.

- Judgment of suction air temperature of the indoor heat exchanger by using the indoor temp. sensor. (TA sensor)
- Judgment of the indoor heat exchanger temperature by using heat exchanger sensor (TC sensor) (Prevent-freezing control, etc.)
- Louver motor control
- Indoor fan motor operation control
- LED (Light Emitting Diode) display control
- Transferring of operation command signal (Serial signal) to the outdoor unit
- Reception of information of operation status (Serial signal including outside temp. data) from the outdoor unit and judgment/display of error

2. Role of outdoor unit controller

Receiving the operation command signal (Serial signal) from the indoor unit controller, the outdoor unit performs compressor operation control as followed to judgment of serial signal from indoor side.

- Detection of inverter input current and current release operation
- Over-current detection and prevention operation to IGBT module (Compressor stop function)
- Compressor and outdoor fan stop function when serial signal is off (when the serial signal does not reach the board assembly of outdoor control by trouble of the signal system)
- Transferring of operation information (Serial signal) from outdoor unit controller to indoor unit controller
- Detection of outdoor temperature and operation revolution control
- Defrost control in heating operation (Temp. measurement by outdoor heat exchanger and control for 4-way valve and outdoor fan)

3. Contents of operation command signal (Serial signal) from indoor unit controller to outdoor unit controller

The following three types of signals are sent from the indoor unit controller.

- Operation mode set on the remote controller
- Compressor revolution command signal defined by indoor temperature and set temperature (Correction along with variation of room temperature and correction of indoor heat exchanger temperature are added.)
- Temperature of indoor heat exchanger
- For these signals ([Operation mode] and [Compressor revolution] indoor heat exchanger temperature), the outdoor unit controller monitors the input current to the inverter, and performs the followed operation within the range that current does not exceed the allowable value.

4. Contents of operation command signal (Serial signal) from outdoor unit controller to indoor unit controller

The following signals are sent from the outdoor unit controller.

- The current operation mode
 - The current compressor revolution
 - Outdoor temperature
 - Existence of protective circuit operation
- For transferring of these signals, the indoor unit controller monitors the contents of signals, and judges existence of trouble occurrence. Contents of judgment are described below.
- Whether distinction of the current operation status meets to the operation command signal
 - Whether protective circuit operates
- When no signal is received from the outdoor unit controller, it is assumed as a trouble.

9-2. Operation Description

| | |
|---|----|
| 1. Basic operation | 33 |
| 1. Operation control | 33 |
| 2. Cooling/Heating operation | 34 |
| 3. AUTO operation | 34 |
| 4. DRY operation | 34 |
| 2. Indoor fan motor control | 35 |
| 3. Outdoor fan motor control | 38 |
| 4. Capacity control | 39 |
| 5. Current release control | 39 |
| 6. Release protective control by temperature of indoor heat exchanger | 40 |
| 7. Defrost control (Only in heating operation) | 41 |
| 8. Louver control | 42 |
| 1) Louver position | 42 |
| 2) Air direction adjustment | 42 |
| 3) Swing | 42 |
| 9. ECO operation | 43 |
| 10. Temporary operation | 44 |
| 11. Discharge temperature control | 44 |
| 12. Pulse Modulating valve (P.M.V.) control | 45 |
| 13. Self-Cleaning function | 46 |
| 14. Remote-A or B selection | 48 |
| 15. Hi-POWER Mode | 48 |
| 16. Display lamp brightness adjustment | 49 |
| 17. Operation mode select table | 49 |

9-3. Auto Restart Function

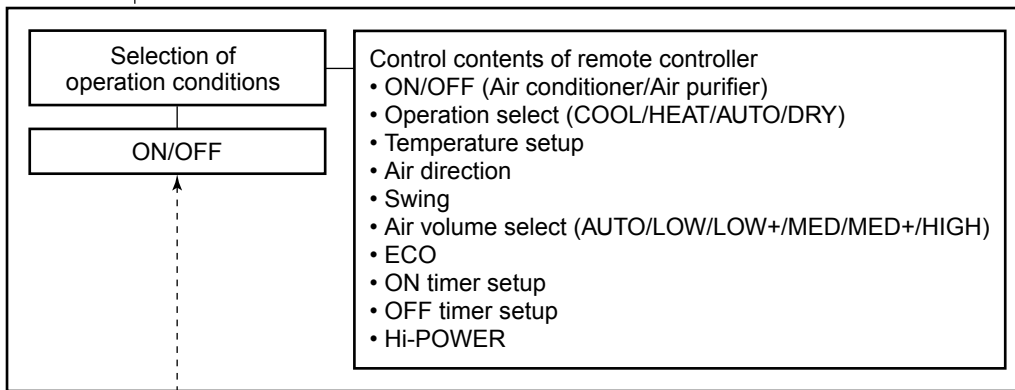
| | |
|--|----|
| 9-3-1. How to Set the Auto Restart Function | 50 |
| 9-3-2. How to Cancel the Auto Restart Function | 51 |
| 9-3-3. Power Failure During Timer Operation | 51 |

9-4. Remote Controller and Its Functions

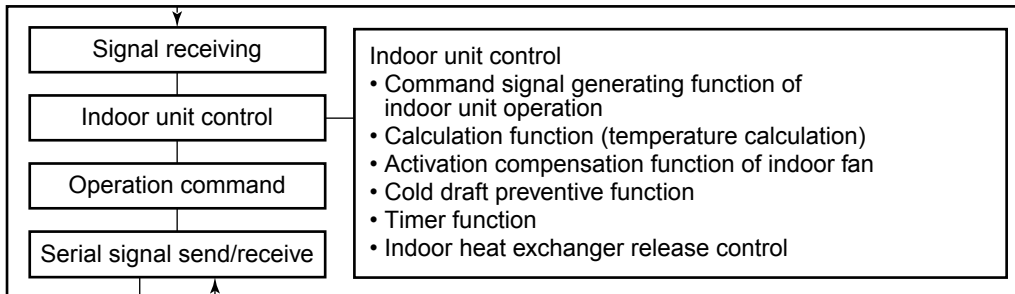
| | |
|---|----|
| 9-4-1. Parts Name of Remote Controller | 52 |
| 9-4-2. Operation of remote control | 52 |
| 9-4-3. Name and Functions of Indications on Remote Controller | 54 |

| Item | Operation flow and applicable data, etc. | Description |
|----------------------------------|--|-------------|
| <p>1. Basic operation</p> | <p>1. Operation control</p> <p>Receiving the user's operation condition setup, the operation statuses of indoor/outdoor units are controlled.</p> <ol style="list-style-type: none"> 1) The operation conditions are selected by the remote controller as shown in the below. 2) A signal is sent by ON button of the remote controller. 3) The signal is received by a sensor of the indoor unit and processed by the indoor controllers as shown in the below. 4) The indoor controller controls the indoor fan motor and louver motor. 5) The indoor controller sends the operation command to the outdoor controller, and sends/receives the control status with a serial signal. 6) The outdoor controller controls the operation as shown in the left, and also controls the compressor, outdoor fan motor, 4-way valve and pulse Modulating valve. | |

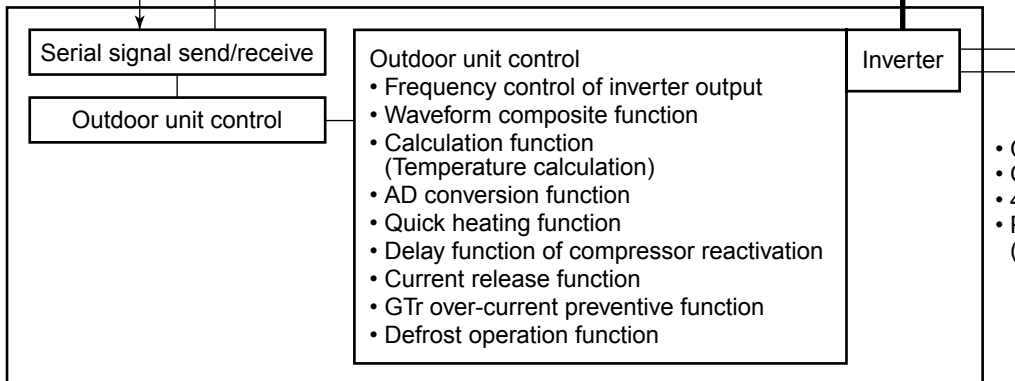
Remote controller

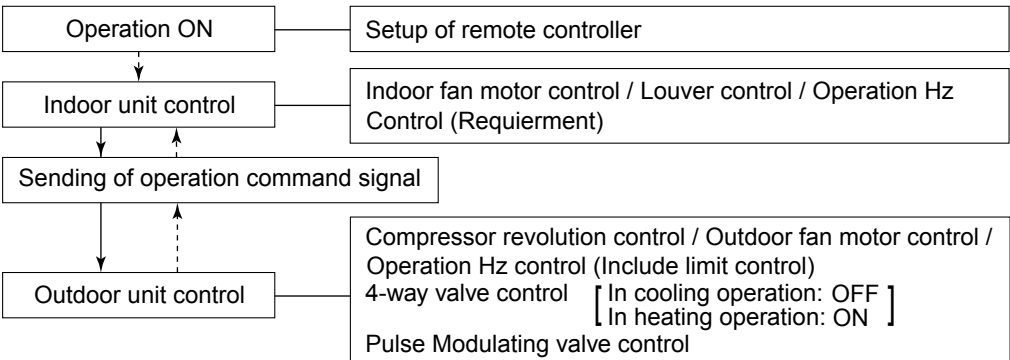
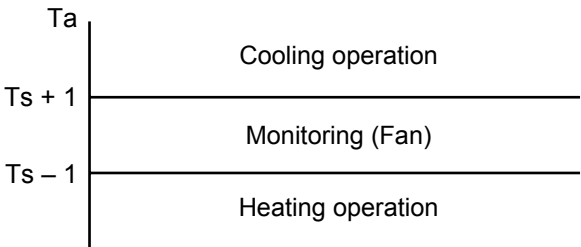
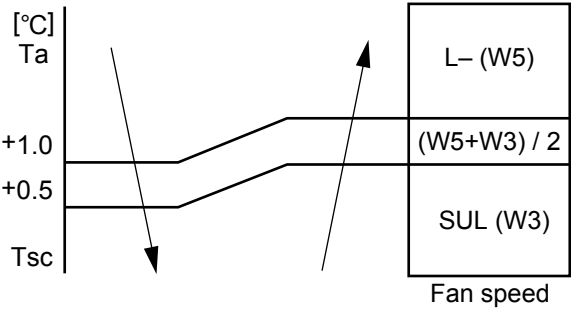


Indoor unit



Outdoor unit



| Item | Operation flow and applicable data, etc. | Description |
|----------------------------------|--|--|
| <p>1. Basic operation</p> | <p>2. Cooling/Heating operation</p> <p>The operations are performed in the following parts by controls according to cooling/heating conditions.</p> <ol style="list-style-type: none"> 1) Receiving the operation ON signal of the remote controller, the cooling or heating operation signal starts being transferred from the indoor controller to the outdoor unit. 2) At the indoor unit side, the indoor fan is operated according to the contents of “2. Indoor fan motor control” and the louver according to the contents of “9. Louver control”, respectively. 3) The outdoor unit controls the outdoor fan motor, compressor, pulse Modulating valve and 4-way valve according to the operation signal sent from the indoor unit.  | |
| | <p>3. AUTO operation</p> <p>Selection of operation mode As shown in the following figure, the operation starts by selecting automatically the status of room temperature (Ta) when starting AUTO operation.</p> <p>*1. When reselecting the operation mode, the fan speed is controlled by the previous operation mode.</p>  | <ol style="list-style-type: none"> 1) Detects the room temperature (Ta) when the operation started. 2) Selects an operation mode from Ta in the left figure. 3) Fan operation continues until an operation mode is selected. 4) When AUTO operation has started within 2 hours after heating operation stopped and if the room temperature is 20°C or more, the fan operation is performed with "Super Ultra LOW" mode for 3 minutes. Then, select an operation mode. 5) If the status of compressor-OFF continues for 15 minutes the room temperature after selecting an operation mode (COOL/HEAT), reselect an operation mode. |
| | <p>4. DRY operation</p> <p>DRY operation is performed according to the difference between room temperature and the setup temperature as shown below.</p> <p>In DRY operation, fan speed is controlled in order to prevent lowering of the room temperature and to avoid air flow from blowing directly to persons.</p>  | <ol style="list-style-type: none"> 1) Detects the room temperature (Ta) when the DRY operation started. 2) Starts operation under conditions in the left figure according to the temperature difference between the room temperature and the setup temperature (Tsc). Setup temperature (Tsc) = Set temperature on remote controller (Ts) + (0.0 to 1.0) 3) When the room temperature is lower 1°C or less than the setup temperature, turn off the compressor. |

| Item | Operation flow and applicable data, etc. | Description | | | | | | | | | | | |
|------------------------------------|--|--|------------|-------------------------------------|---|----|-------------------------------------|-------------|----|-------------------------------------|-------|-------------|--------------------------------------|
| 2. Indoor fan motor control | <p><In cooling operation> (This operation controls the fan speed at indoor unit side.) The indoor fan (cross flow fan) is operated by the phase-control induction motor. The fan rotates in 5 stages in MANUAL mode, and in 5 stages in AUTO mode, respectively. (Table 1)</p> | <div style="border: 1px solid black; padding: 5px;"> <p>* Symbols</p> <p>UH : Ultra High H : High M+ : Medium+ M : Medium L+ : Low+ L : Low L- : Low- UL : Ultra Low SUL : Super Ultra Low</p> </div> <p>* The fan speed broadly varies due to position of the louver, etc. The described value indicates one under condition of inclining downward blowing.</p> <p>1) When setting the fan speed to L, L+, M, M+ or H on the remote controller, the operation is performed with the constant speed shown in Fig. 1.</p> <p>2) When setting the fan speed to AUTO on the remote controller, revolution of the fan motor is controlled to the fan speed level shown in Fig. 2 and Table 1 according to the setup temperature, room temperature, and heat exchanger temperature.</p> | | | | | | | | | | | |
| | <div style="display: flex; align-items: center;"> <div style="margin-right: 20px;"> <p>COOL ON</p> <p>Fan speed setup</p> <p>AUTO</p> </div> <div style="margin-right: 20px;"> <p>MANUAL</p> </div> <div style="border: 1px solid black; padding: 5px;"> <p style="text-align: center;">(Fig. 1)</p> <table border="1" style="width:100%; border-collapse: collapse;"> <thead> <tr> <th style="width:50%;">Indication</th> <th style="width:50%;">Fan speed</th> </tr> </thead> <tbody> <tr> <td>L </td> <td>W7</td> </tr> <tr> <td>L+ </td> <td>(L + M) / 2</td> </tr> <tr> <td>M </td> <td>WA</td> </tr> <tr> <td>M+ </td> <td>(M + H) / 2</td> </tr> <tr> <td>H </td> <td>WD</td> </tr> </tbody> </table> <p style="text-align: center;">(Fig. 2)</p> </div> </div> | | Indication | Fan speed | L | W7 | L+ | (L + M) / 2 | M | WA | M+ | (M + H) / 2 | H |
| Indication | Fan speed | | | | | | | | | | | | |
| L | W7 | | | | | | | | | | | | |
| L+ | (L + M) / 2 | | | | | | | | | | | | |
| M | WA | | | | | | | | | | | | |
| M+ | (M + H) / 2 | | | | | | | | | | | | |
| H | WD | | | | | | | | | | | | |
| | <div style="display: flex; align-items: center;"> <div style="margin-right: 20px;"> <p>Ta [°C]</p> <p>+2.5</p> <p>+2.0</p> <p>+1.5</p> <p>+1.0</p> <p>+0.5</p> <p>Tsc</p> </div> <div style="margin-right: 20px;"> </div> <div style="border: 1px solid black; padding: 5px;"> <p style="text-align: center;">Air volume AUTO</p> <table border="1" style="width:100%; border-collapse: collapse;"> <tbody> <tr> <td style="width:30%;">M+(WC)</td> <td style="width:30%;">*3</td> <td style="width:40%;">*3 : Fan speed = (M + -L) x 3/4 + L</td> </tr> <tr> <td></td> <td>*4</td> <td>*4 : Fan speed = (M + -L) x 2/4 + L</td> </tr> <tr> <td></td> <td>*5</td> <td>*5 : Fan speed = (M + -L) x 1/4 + L</td> </tr> <tr> <td>L(W7)</td> <td></td> <td>(Linear approximation from M+ and L)</td> </tr> </tbody> </table> </div> </div> | M+(WC) | *3 | *3 : Fan speed = (M + -L) x 3/4 + L | | *4 | *4 : Fan speed = (M + -L) x 2/4 + L | | *5 | *5 : Fan speed = (M + -L) x 1/4 + L | L(W7) | | (Linear approximation from M+ and L) |
| M+(WC) | *3 | *3 : Fan speed = (M + -L) x 3/4 + L | | | | | | | | | | | |
| | *4 | *4 : Fan speed = (M + -L) x 2/4 + L | | | | | | | | | | | |
| | *5 | *5 : Fan speed = (M + -L) x 1/4 + L | | | | | | | | | | | |
| L(W7) | | (Linear approximation from M+ and L) | | | | | | | | | | | |

(Table 1) Indoor fan air flow rate

| Fan speed level | Mode | | | RAS-B05BKVG-E | | | | RAS-B07BKVG-E | | | |
|-----------------|------|------|-----|-----------------|------------------------------------|-----------------|------------------------------------|-----------------|------------------------------------|-----------------|------------------------------------|
| | | | | Cooling | | Heating | | Cooling | | Heating | |
| | Cool | Heat | Dry | Fan speed (rpm) | Air flow rate (m ³ /hr) | Fan speed (rpm) | Air flow rate (m ³ /hr) | Fan speed (rpm) | Air flow rate (m ³ /hr) | Fan speed (rpm) | Air flow rate (m ³ /hr) |
| WF | | UH | | 1050 | 484 | 1050 | 618 | 1080 | 504 | 1080 | 640 |
| WE | UH | H | | 1050 | 484 | 1050 | 618 | 1080 | 504 | 1080 | 640 |
| WD | H | M+ | UH | 1020 | 465 | 1000 | 581 | 1050 | 484 | 1030 | 603 |
| WC | M+ | | H | 970 | 432 | 910 | 514 | 1000 | 452 | 940 | 536 |
| WB | | M+ | M+ | 890 | 380 | 830 | 454 | 910 | 393 | 850 | 469 |
| WA | M | | M+ | 810 | 327 | 830 | 454 | 820 | 334 | 850 | 469 |
| W9 | | L+ | | 810 | 327 | 720 | 373 | 820 | 334 | 730 | 380 |
| W8 | L+ | L | L+ | 700 | 255 | 620 | 298 | 710 | 262 | 620 | 298 |
| W7 | L | L- | | 600 | 190 | 580 | 268 | 600 | 190 | 580 | 268 |
| W6 | L- | | L | 570 | 170 | 580 | 268 | 570 | 170 | 580 | 268 |
| W5 | UL | UL | L- | 550 | 157 | 550 | 246 | 550 | 157 | 550 | 246 |
| W4 | | | UL | 550 | 157 | 550 | 246 | 550 | 157 | 550 | 246 |
| W3 | SUL | | SUL | 540 | 151 | 520 | 224 | 540 | 151 | 520 | 224 |
| W2 | | SUL | | 520 | 138 | 520 | 224 | 520 | 138 | 520 | 224 |
| W1 | | | | 500 | 125 | 500 | 209 | 500 | 125 | 500 | 209 |

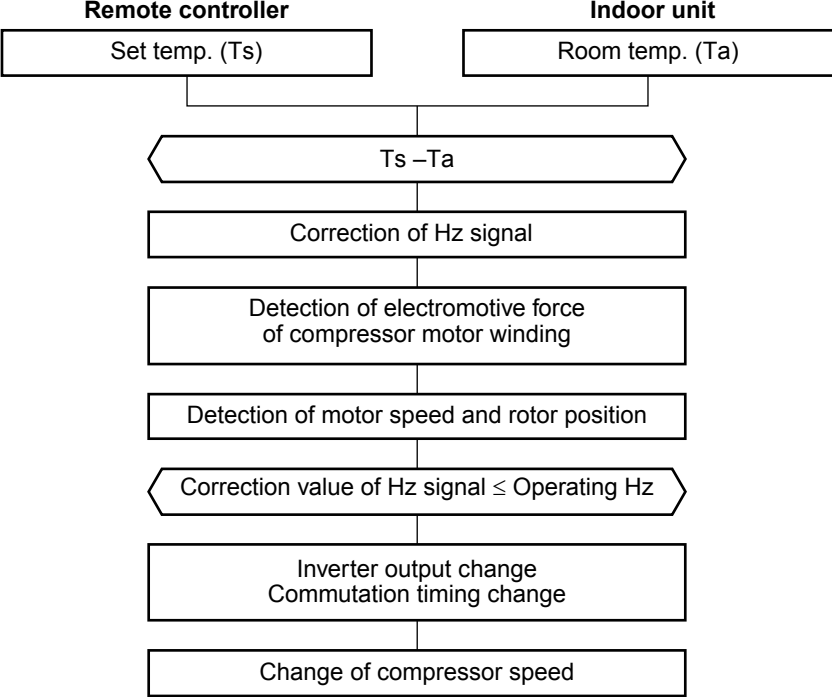
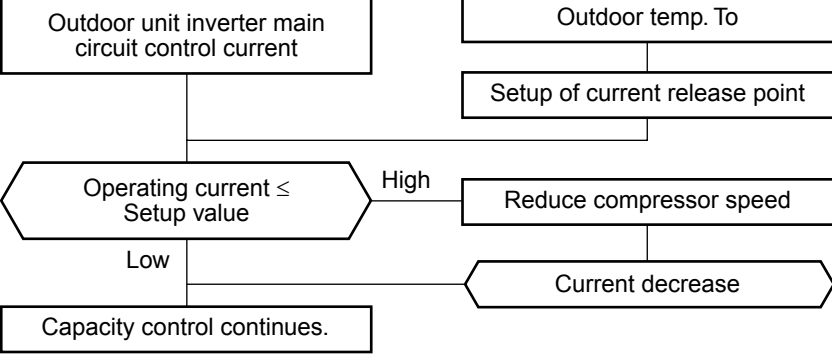
| Item | Operation flow and applicable data, etc. | Description |
|------------------------------------|--|-------------|
| 2. Indoor fan motor control | | |

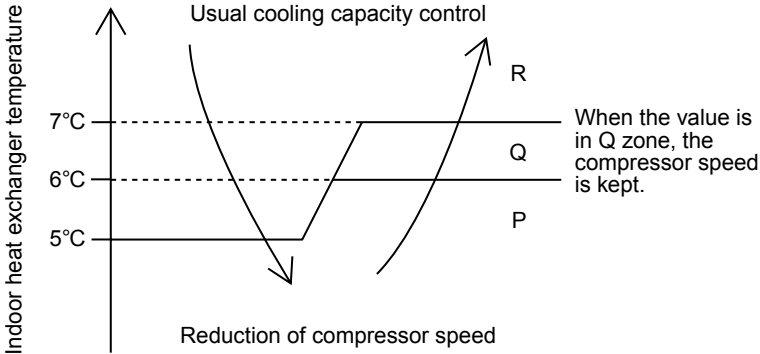
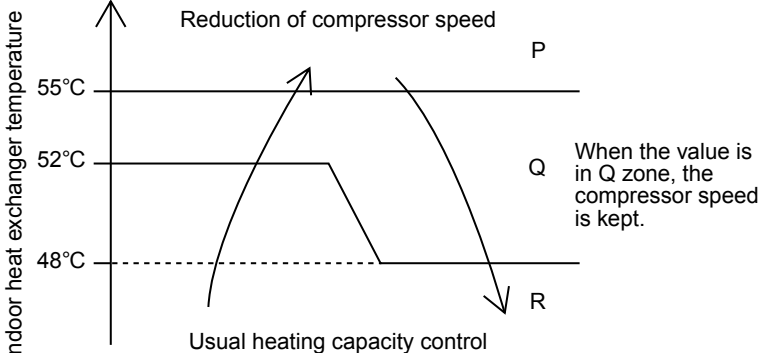
| Fan speed level | Made | | | RAS-B10BKVGE | | | | RAS-B13BKVGE | | | |
|-----------------|------|------|-----|-----------------|----------------------------------|-----------------|----------------------------------|-----------------|----------------------------------|-----------------|----------------------------------|
| | Cool | Heat | Dry | Cooling | | Heating | | Cooling | | Heating | |
| | | | | Fan speed (rpm) | Air flow rate m ³ /hr | Fan speed (rpm) | Air flow rate m ³ /hr | Fan speed (rpm) | Air flow rate m ³ /hr | Fan speed (rpm) | Air flow rate m ³ /hr |
| WF | | UH | | 1110 | 524 | 1110 | 663 | 1200 | 582 | 1200 | 730 |
| WE | UH | H | | 1110 | 524 | 1110 | 663 | 1200 | 582 | 1200 | 730 |
| WD | H | M+ | UH | 1060 | 491 | 1060 | 626 | 1170 | 563 | 1080 | 640 |
| WC | M+ | | H | 960 | 425 | 960 | 551 | 1120 | 530 | 1020 | 596 |
| WB | | M+ | M+ | 870 | 367 | 870 | 484 | 1010 | 458 | 960 | 551 |
| WA | M | | M+ | 870 | 367 | 870 | 484 | 900 | 386 | 960 | 551 |
| W9 | | L+ | | 750 | 288 | 750 | 395 | 900 | 386 | 840 | 462 |
| W8 | L+ | L | L+ | 640 | 216 | 640 | 313 | 770 | 301 | 720 | 373 |
| W7 | L | L- | | 600 | 190 | 600 | 283 | 640 | 216 | 660 | 328 |
| W6 | L- | | L | 600 | 190 | 600 | 283 | 620 | 203 | 660 | 328 |
| W5 | UL | UL | L- | 570 | 170 | 570 | 261 | 600 | 190 | 600 | 283 |
| W4 | | | UL | 570 | 170 | 570 | 261 | 600 | 190 | 600 | 283 |
| W3 | SUL | | SUL | 520 | 138 | 520 | 224 | 540 | 151 | 520 | 224 |
| W2 | | SUL | | 520 | 138 | 520 | 224 | 520 | 138 | 520 | 224 |
| W1 | | | | 500 | 125 | 500 | 209 | 500 | 125 | 500 | 209 |

| Fan speed level | Made | | | RAS-B16BKVGE | | | |
|-----------------|------|------|-----|-----------------|----------------------------------|-----------------|----------------------------------|
| | Cool | Heat | Dry | Cooling | | Heating | |
| | | | | Fan speed (rpm) | Air flow rate m ³ /hr | Fan speed (rpm) | Air flow rate m ³ /hr |
| WF | | UH | | 1170 | 563 | 1170 | 707 |
| WE | UH | H | | 1170 | 563 | 1170 | 707 |
| WD | H | M+ | UH | 1110 | 524 | 1120 | 670 |
| WC | M+ | | H | 1060 | 491 | 1000 | 581 |
| WB | | M+ | M+ | 950 | 419 | 880 | 492 |
| WA | M | | M+ | 850 | 353 | 880 | 492 |
| W9 | | L+ | | 850 | 353 | 750 | 395 |
| W8 | L+ | L | L+ | 720 | 268 | 620 | 298 |
| W7 | L | L- | | 600 | 190 | 610 | 291 |
| W6 | L- | | L | 590 | 183 | 610 | 291 |
| W5 | UL | UL | L- | 580 | 177 | 600 | 283 |
| W4 | | | UL | 580 | 177 | 600 | 283 |
| W3 | SUL | | SUL | 540 | 151 | 520 | 224 |
| W2 | | SUL | | 520 | 138 | 520 | 224 |
| W1 | | | | 500 | 125 | 500 | 209 |

| Item | Operation flow and applicable data, etc. | Description | | | | | | | | | | | | |
|---|--|---|--------------|----------|---|---|-------------|--|---|----|-------------|---|----|--|
| <p>2. Indoor fan motor control</p> | <p><In heating operation></p> <p>(Fig. 3)</p> <table border="1" data-bbox="494 504 981 728"> <thead> <tr> <th>Indication</th> <th>Fan speed</th> </tr> </thead> <tbody> <tr> <td>L </td> <td>W8</td> </tr> <tr> <td>L+ </td> <td>(L + M) / 2</td> </tr> <tr> <td>M </td> <td>WA</td> </tr> <tr> <td>M+ </td> <td>(M + H) / 2</td> </tr> <tr> <td>H </td> <td>WE</td> </tr> </tbody> </table> <p>(Fig. 4)</p> <p>* Fan speed = $(TC - (42 + a)) / 10 \times (WD - W8) + W8$ a : In up operation 1, in down operation 0</p> | Indication | Fan speed | L | W8 | L+ | (L + M) / 2 | M | WA | M+ | (M + H) / 2 | H | WE | <ol style="list-style-type: none"> 1) When setting the fan speed to L, L+, M, M+ or H on the remote controller, the operation is performed with the constant speed shown in Fig. 3 and Table 1. 2) When setting the fan speed to AUTO on the remote controller, revolution of the fan motor is controlled to the fan speed level shown in Fig. 5 according to the set temperature and room temperature. 3) Min air flow rate is controlled by temperature of the indoor heat exchanger (Tc) as shown in Fig. 4. 4) Cold draft prevention, the fan speed is controlled by temperature of the indoor heat exchanger (Tc) as shown in Fig. 6. 5) In order to prevent Cold draft when compressor step during heating operation. Then louver will move to upper position and fan speed will reduce or off. <p>Cold draft preventive control</p> |
| Indication | Fan speed | | | | | | | | | | | | | |
| L | W8 | | | | | | | | | | | | | |
| L+ | (L + M) / 2 | | | | | | | | | | | | | |
| M | WA | | | | | | | | | | | | | |
| M+ | (M + H) / 2 | | | | | | | | | | | | | |
| H | WE | | | | | | | | | | | | | |
| <p>Basic fan control</p> <p>*1: Fan speed = $(M + -L+) \times 1 \div 4 + L+$ *2: Fan speed = $(M + -L+) \times 2 \div 4 + L+$ *3: Fan speed = $(M + -L+) \times 3 \div 4 + L+$ (Calculated with linear approximation from M+ and L+)</p> | <p>* No limitation while fan speed MANUAL mode is in stability. *A: When Tsc ≥ 24, A is 24, and when Tsc < 24, A is Tsc Tsc: Set value</p> | <p>(Fig. 5)</p> <p>(Fig. 6)</p> | | | | | | | | | | | | |
| <p>[In starting and in stability]</p> | | | | | | | | | | | | | | |
| <table border="1" data-bbox="167 1870 1428 2049"> <thead> <tr> <th></th> <th>In starting</th> <th>In stability</th> </tr> </thead> <tbody> <tr> <td>FAN AUTO</td> <td> <ul style="list-style-type: none"> • Until 12 minutes passed after operation start • When 12 to 25 minutes passed after operation start and room temp. is 3°C or lower than set temp. </td> <td> <ul style="list-style-type: none"> • When 12 to 25 minutes passed after operation start and room temp. is higher than (set temp. -3°C) • When 25 minutes or more passed after operation start </td> </tr> <tr> <td>FAN Manual</td> <td> <ul style="list-style-type: none"> • Room temp. < Set temp. -4°C </td> <td> <ul style="list-style-type: none"> • Room temp. ≥ Set temp. -3.5°C </td> </tr> </tbody> </table> | | In starting | In stability | FAN AUTO | <ul style="list-style-type: none"> • Until 12 minutes passed after operation start • When 12 to 25 minutes passed after operation start and room temp. is 3°C or lower than set temp. | <ul style="list-style-type: none"> • When 12 to 25 minutes passed after operation start and room temp. is higher than (set temp. -3°C) • When 25 minutes or more passed after operation start | FAN Manual | <ul style="list-style-type: none"> • Room temp. < Set temp. -4°C | <ul style="list-style-type: none"> • Room temp. ≥ Set temp. -3.5°C | | | | | |
| | In starting | In stability | | | | | | | | | | | | |
| FAN AUTO | <ul style="list-style-type: none"> • Until 12 minutes passed after operation start • When 12 to 25 minutes passed after operation start and room temp. is 3°C or lower than set temp. | <ul style="list-style-type: none"> • When 12 to 25 minutes passed after operation start and room temp. is higher than (set temp. -3°C) • When 25 minutes or more passed after operation start | | | | | | | | | | | | |
| FAN Manual | <ul style="list-style-type: none"> • Room temp. < Set temp. -4°C | <ul style="list-style-type: none"> • Room temp. ≥ Set temp. -3.5°C | | | | | | | | | | | | |

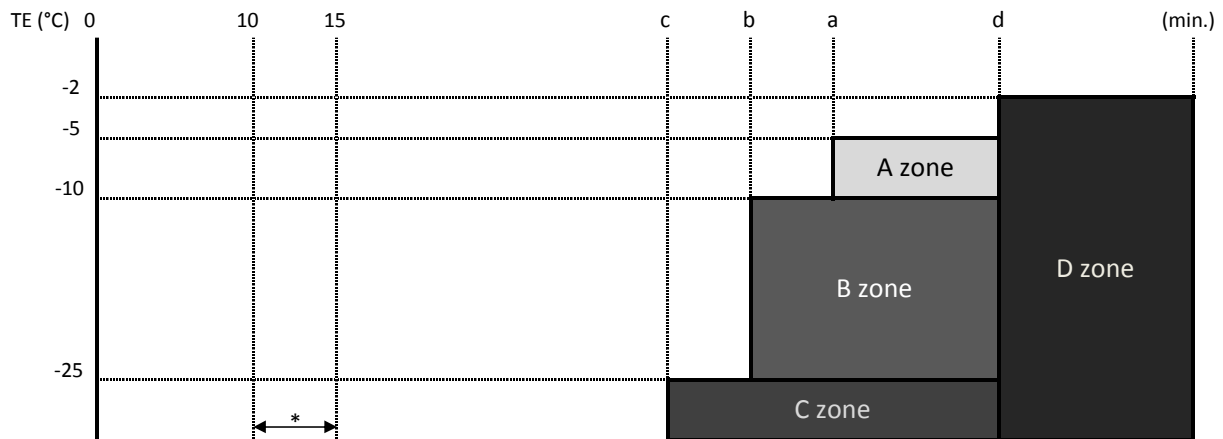
| Item | Operation flow and applicable data, etc. | Description | | | | | | | | | | | | | | | | | | | | | | | | | | | | | | | | | | | | | | | | | | | | | | | | | | | | | | | | | | | | | | | | | | | | | | | | | | | | | | | | | | | | | | | | | | | | | | | | | | | | | | | | | | | | | | | | | | | | | | | | | | | | | | |
|--|--|---|----------------------|---------------|---------------|---------|----|------------------------|---------------|---------------|----------------------|---------------|---------------|----|-------|--------------------------------------|------------------------|---|---|----|-----|-----|------------------------|-----|-----|----|---------|-----|--------------|-----|---------|----|---------|--------------|-------------|-----|-----|----------|-----|-----|-----|-----|-----|----|-----|-----|-----|-----|-----|----|----------|-----|-----|-----|-----|----|-----|-----|-----|-----|-----|----|-----|----------|-----|-----|-----|----|-----|-----|-----|-----|-----|----|-----|-----|-----------|-----|-----|----|-----|-----|-----|-----|-----|----|-----|-----|-----|---------|-----|----|-----|-----|-----|-----|-----|----|-----|-----|-----|-----|---------|----|-----|-----|-----|-----|-----|----|----|----|----|----|----|---------------------|-----|----|-----|----|----|----|----|----|----|----|----|----|
| <p>3. Outdoor fan motor control</p> | <p>The blowing air volume at the outdoor unit side is controlled. Receiving the operation command from the controller of indoor unit, the controller of outdoor unit controls fan speed.</p> <p>* For the fan motor, a DC motor with non-stage variable speed system is used. However, it is limited to 8 stages for reasons of controlling.</p> | <p>1) The operation command sent from the remote controller is processed by the indoor unit controller and transferred to the controller of the outdoor unit.</p> <p>2) When strong wind blows at outdoor side, the operation of air conditioner continues with the fan motor stopped.</p> <p>3) Whether the fan is locked or not is detected, and the operation of air conditioner stops and an alarm is displayed if the fan is locked.</p> <p>4) According to each operation mode, by the conditions of outdoor temperature (To) and compressor revolution, the speed of the outdoor fan shown in the table is selected.</p> | | | | | | | | | | | | | | | | | | | | | | | | | | | | | | | | | | | | | | | | | | | | | | | | | | | | | | | | | | | | | | | | | | | | | | | | | | | | | | | | | | | | | | | | | | | | | | | | | | | | | | | | | | | | | | | | | | | | | | | | | | | | | | |
| <table border="1"> <thead> <tr> <th colspan="8" data-bbox="150 1240 855 1272">In cooling operation</th> <th colspan="4" data-bbox="863 1240 1422 1272">In Heating operation</th> </tr> <tr> <th data-bbox="150 1272 248 1384" rowspan="2">Model</th> <th data-bbox="248 1272 443 1303" rowspan="2">RAS-B05,07BKVG-E RAS-B10,13BKVG-E</th> <th colspan="6" data-bbox="443 1272 855 1303">Compressor speed (rps)</th> <th colspan="4" data-bbox="863 1272 1422 1303">Compressor speed (rps)</th> </tr> <tr> <th colspan="2" data-bbox="443 1303 580 1335">Hz<13.8</th> <th colspan="2" data-bbox="580 1303 855 1335">13.8≤Hz<30.6</th> <th colspan="2" data-bbox="855 1303 954 1335">32.4≤Hz</th> <th data-bbox="863 1303 1099 1335">Hz<16.8</th> <th data-bbox="1099 1303 1177 1335">16.8≤Hz<48.6</th> <th colspan="2" data-bbox="1177 1303 1422 1335">48.6<Hz-MAX</th> </tr> <tr> <th data-bbox="150 1384 248 1556" rowspan="7">To</th> <th data-bbox="248 1384 443 1415">To≥38 °C</th> <th data-bbox="443 1384 580 1415">f6</th> <th data-bbox="580 1384 659 1415">fB</th> <th data-bbox="659 1384 737 1415">f8</th> <th data-bbox="737 1384 815 1415">fE</th> <th data-bbox="815 1384 893 1415">fA</th> <th data-bbox="893 1384 971 1415">fE</th> <th data-bbox="971 1384 1050 1415">f7</th> <th data-bbox="1050 1384 1128 1415">f8</th> <th data-bbox="1128 1384 1206 1415">f9</th> <th data-bbox="1206 1384 1284 1415">fE</th> <th data-bbox="1284 1384 1362 1415">f9</th> <th data-bbox="1362 1384 1441 1415">fE</th> </tr> <tr> <th data-bbox="248 1415 443 1447">To≥28 °C</th> <th data-bbox="443 1415 580 1447">f5</th> <th data-bbox="580 1415 659 1447">fA</th> <th data-bbox="659 1415 737 1447">f7</th> <th data-bbox="737 1415 815 1447">fE</th> <th data-bbox="815 1415 893 1447">f9</th> <th data-bbox="893 1415 971 1447">fE</th> <th data-bbox="971 1415 1050 1447">fE</th> <th data-bbox="1050 1415 1128 1447">fE</th> <th data-bbox="1128 1415 1206 1447">fE</th> <th data-bbox="1206 1415 1284 1447">fE</th> <th data-bbox="1284 1415 1362 1447">fE</th> <th data-bbox="1362 1415 1441 1447">fE</th> </tr> <tr> <th data-bbox="248 1447 443 1478">To≥15 °C</th> <th data-bbox="443 1447 580 1478">f3</th> <th data-bbox="580 1447 659 1478">f7</th> <th data-bbox="659 1447 737 1478">f5</th> <th data-bbox="737 1447 815 1478">f9</th> <th data-bbox="815 1447 893 1478">f7</th> <th data-bbox="893 1447 971 1478">fB</th> <th data-bbox="971 1447 1050 1478">fE</th> <th data-bbox="1050 1447 1128 1478">fE</th> <th data-bbox="1128 1447 1206 1478">fE</th> <th data-bbox="1206 1447 1284 1478">fE</th> <th data-bbox="1284 1447 1362 1478">fE</th> <th data-bbox="1362 1447 1441 1478">fE</th> </tr> <tr> <th data-bbox="248 1478 443 1509">To≥5.5 °C</th> <th data-bbox="443 1478 580 1509">f2</th> <th data-bbox="580 1478 659 1509">f5</th> <th data-bbox="659 1478 737 1509">f4</th> <th data-bbox="737 1478 815 1509">f7</th> <th data-bbox="815 1478 893 1509">f6</th> <th data-bbox="893 1478 971 1509">f9</th> <th data-bbox="971 1478 1050 1509">f7</th> <th data-bbox="1050 1478 1128 1509">fE</th> <th data-bbox="1128 1478 1206 1509">fE</th> <th data-bbox="1206 1478 1284 1509">fE</th> <th data-bbox="1284 1478 1362 1509">fE</th> <th data-bbox="1362 1478 1441 1509">fE</th> </tr> <tr> <th data-bbox="248 1509 443 1541">To≥0 °C</th> <th data-bbox="443 1509 580 1541">f1</th> <th data-bbox="580 1509 659 1541">f3</th> <th data-bbox="659 1509 737 1541">f3</th> <th data-bbox="737 1509 815 1541">f5</th> <th data-bbox="815 1509 893 1541">f4</th> <th data-bbox="893 1509 971 1541">f7</th> <th data-bbox="971 1509 1050 1541">f4</th> <th data-bbox="1050 1509 1128 1541">fE</th> <th data-bbox="1128 1509 1206 1541">fE</th> <th data-bbox="1206 1509 1284 1541">fE</th> <th data-bbox="1284 1509 1362 1541">fE</th> <th data-bbox="1362 1509 1441 1541">fE</th> </tr> <tr> <th data-bbox="248 1541 443 1572">To<0 °C</th> <th data-bbox="443 1541 580 1572">f1</th> <th data-bbox="580 1541 659 1572">f2</th> <th data-bbox="659 1541 737 1572">f2</th> <th data-bbox="737 1541 815 1572">f4</th> <th data-bbox="815 1541 893 1572">f3</th> <th data-bbox="893 1541 971 1572">f5</th> <th data-bbox="971 1541 1050 1572">f3</th> <th data-bbox="1050 1541 1128 1572">fE</th> <th data-bbox="1128 1541 1206 1572">fE</th> <th data-bbox="1206 1541 1284 1572">fE</th> <th data-bbox="1284 1541 1362 1572">fE</th> <th data-bbox="1362 1541 1441 1572">fE</th> </tr> <tr> <th data-bbox="150 1572 443 1603">When To is abnormal</th> <td data-bbox="443 1572 580 1603">OFF</td> <td data-bbox="580 1572 659 1603">fB</td> <td data-bbox="659 1572 737 1603">OFF</td> <td data-bbox="737 1572 815 1603">fE</td> <td data-bbox="815 1572 893 1603">f1</td> <td data-bbox="893 1572 971 1603">fE</td> <td data-bbox="971 1572 1050 1603">fF</td> <td data-bbox="1050 1572 1128 1603">fF</td> <td data-bbox="1128 1572 1206 1603">fF</td> <td data-bbox="1206 1572 1284 1603">fF</td> <td data-bbox="1284 1572 1362 1603">fF</td> <td data-bbox="1362 1572 1441 1603">fF</td> </tr> </thead> </table> | | | In cooling operation | | | | | | | | In Heating operation | | | | Model | RAS-B05,07BKVG-E RAS-B10,13BKVG-E | Compressor speed (rps) | | | | | | Compressor speed (rps) | | | | Hz<13.8 | | 13.8≤Hz<30.6 | | 32.4≤Hz | | Hz<16.8 | 16.8≤Hz<48.6 | 48.6<Hz-MAX | | To | To≥38 °C | f6 | fB | f8 | fE | fA | fE | f7 | f8 | f9 | fE | f9 | fE | To≥28 °C | f5 | fA | f7 | fE | f9 | fE | fE | fE | fE | fE | fE | fE | To≥15 °C | f3 | f7 | f5 | f9 | f7 | fB | fE | fE | fE | fE | fE | fE | To≥5.5 °C | f2 | f5 | f4 | f7 | f6 | f9 | f7 | fE | fE | fE | fE | fE | To≥0 °C | f1 | f3 | f3 | f5 | f4 | f7 | f4 | fE | fE | fE | fE | fE | To<0 °C | f1 | f2 | f2 | f4 | f3 | f5 | f3 | fE | fE | fE | fE | fE | When To is abnormal | OFF | fB | OFF | fE | f1 | fE | fF | fF | fF | fF | fF | fF |
| In cooling operation | | | | | | | | In Heating operation | | | | | | | | | | | | | | | | | | | | | | | | | | | | | | | | | | | | | | | | | | | | | | | | | | | | | | | | | | | | | | | | | | | | | | | | | | | | | | | | | | | | | | | | | | | | | | | | | | | | | | | | | | | | | | | | | | | | | | | | |
| Model | RAS-B05,07BKVG-E RAS-B10,13BKVG-E | Compressor speed (rps) | | | | | | Compressor speed (rps) | | | | | | | | | | | | | | | | | | | | | | | | | | | | | | | | | | | | | | | | | | | | | | | | | | | | | | | | | | | | | | | | | | | | | | | | | | | | | | | | | | | | | | | | | | | | | | | | | | | | | | | | | | | | | | | | | | | | | | | | |
| | | Hz<13.8 | | 13.8≤Hz<30.6 | | 32.4≤Hz | | Hz<16.8 | 16.8≤Hz<48.6 | 48.6<Hz-MAX | | | | | | | | | | | | | | | | | | | | | | | | | | | | | | | | | | | | | | | | | | | | | | | | | | | | | | | | | | | | | | | | | | | | | | | | | | | | | | | | | | | | | | | | | | | | | | | | | | | | | | | | | | | | | | | | | | | | | | |
| To | To≥38 °C | f6 | fB | f8 | fE | fA | fE | f7 | f8 | f9 | fE | f9 | fE | | | | | | | | | | | | | | | | | | | | | | | | | | | | | | | | | | | | | | | | | | | | | | | | | | | | | | | | | | | | | | | | | | | | | | | | | | | | | | | | | | | | | | | | | | | | | | | | | | | | | | | | | | | | | | | | | | | |
| | To≥28 °C | f5 | fA | f7 | fE | f9 | fE | fE | fE | fE | fE | fE | fE | | | | | | | | | | | | | | | | | | | | | | | | | | | | | | | | | | | | | | | | | | | | | | | | | | | | | | | | | | | | | | | | | | | | | | | | | | | | | | | | | | | | | | | | | | | | | | | | | | | | | | | | | | | | | | | | | | | |
| | To≥15 °C | f3 | f7 | f5 | f9 | f7 | fB | fE | fE | fE | fE | fE | fE | | | | | | | | | | | | | | | | | | | | | | | | | | | | | | | | | | | | | | | | | | | | | | | | | | | | | | | | | | | | | | | | | | | | | | | | | | | | | | | | | | | | | | | | | | | | | | | | | | | | | | | | | | | | | | | | | | | |
| | To≥5.5 °C | f2 | f5 | f4 | f7 | f6 | f9 | f7 | fE | fE | fE | fE | fE | | | | | | | | | | | | | | | | | | | | | | | | | | | | | | | | | | | | | | | | | | | | | | | | | | | | | | | | | | | | | | | | | | | | | | | | | | | | | | | | | | | | | | | | | | | | | | | | | | | | | | | | | | | | | | | | | | | |
| | To≥0 °C | f1 | f3 | f3 | f5 | f4 | f7 | f4 | fE | fE | fE | fE | fE | | | | | | | | | | | | | | | | | | | | | | | | | | | | | | | | | | | | | | | | | | | | | | | | | | | | | | | | | | | | | | | | | | | | | | | | | | | | | | | | | | | | | | | | | | | | | | | | | | | | | | | | | | | | | | | | | | | |
| | To<0 °C | f1 | f2 | f2 | f4 | f3 | f5 | f3 | fE | fE | fE | fE | fE | | | | | | | | | | | | | | | | | | | | | | | | | | | | | | | | | | | | | | | | | | | | | | | | | | | | | | | | | | | | | | | | | | | | | | | | | | | | | | | | | | | | | | | | | | | | | | | | | | | | | | | | | | | | | | | | | | | |
| | When To is abnormal | OFF | fB | OFF | fE | f1 | fE | fF | fF | fF | fF | fF | fF | | | | | | | | | | | | | | | | | | | | | | | | | | | | | | | | | | | | | | | | | | | | | | | | | | | | | | | | | | | | | | | | | | | | | | | | | | | | | | | | | | | | | | | | | | | | | | | | | | | | | | | | | | | | | | | | | | | |
| <p style="text-align: center;">Outdoor fan speed (rpm)</p> <table border="1"> <thead> <tr> <th data-bbox="161 1637 256 1668" rowspan="2">Tap</th> <th colspan="5" data-bbox="256 1637 1031 1668">RPM</th> </tr> <tr> <th data-bbox="256 1668 408 1700">RAS-B05BKVG-E</th> <th data-bbox="408 1668 560 1700">RAS-B07BKVG-E</th> <th data-bbox="560 1668 711 1700">RAS-B10BKVG-E</th> <th data-bbox="711 1668 863 1700">RAS-B13BKVG-E</th> <th data-bbox="863 1668 1031 1700">RAS-B16BKVG-E</th> </tr> </thead> <tbody> <tr><td>f0</td><td>0</td><td>0</td><td>0</td><td>0</td><td>0</td></tr> <tr><td>f1</td><td>300</td><td>300</td><td>300</td><td>300</td><td>200</td></tr> <tr><td>f2</td><td>370</td><td>370</td><td>370</td><td>370</td><td>300</td></tr> <tr><td>f3</td><td>390</td><td>390</td><td>390</td><td>390</td><td>300</td></tr> <tr><td>f4</td><td>460</td><td>460</td><td>460</td><td>460</td><td>360</td></tr> <tr><td>f5</td><td>500</td><td>500</td><td>500</td><td>500</td><td>440</td></tr> <tr><td>f6</td><td>520</td><td>520</td><td>520</td><td>520</td><td>500</td></tr> <tr><td>f7</td><td>620</td><td>620</td><td>620</td><td>620</td><td>550</td></tr> <tr><td>f8</td><td>720</td><td>720</td><td>720</td><td>720</td><td>600</td></tr> <tr><td>f9</td><td>750</td><td>750</td><td>750</td><td>750</td><td>650</td></tr> <tr><td>fA</td><td>780</td><td>780</td><td>780</td><td>780</td><td>700</td></tr> <tr><td>fB</td><td>780</td><td>780</td><td>780</td><td>780</td><td>700</td></tr> <tr><td>fC</td><td>880</td><td>880</td><td>880</td><td>880</td><td>800</td></tr> <tr><td>fD</td><td>880</td><td>880</td><td>880</td><td>880</td><td>850</td></tr> <tr><td>fE</td><td>880</td><td>880</td><td>900</td><td>950</td><td>900</td></tr> <tr><td>fF</td><td>880</td><td>880</td><td>900</td><td>950</td><td>950</td></tr> </tbody> </table> | | | Tap | RPM | | | | | RAS-B05BKVG-E | RAS-B07BKVG-E | RAS-B10BKVG-E | RAS-B13BKVG-E | RAS-B16BKVG-E | f0 | 0 | 0 | 0 | 0 | 0 | f1 | 300 | 300 | 300 | 300 | 200 | f2 | 370 | 370 | 370 | 370 | 300 | f3 | 390 | 390 | 390 | 390 | 300 | f4 | 460 | 460 | 460 | 460 | 360 | f5 | 500 | 500 | 500 | 500 | 440 | f6 | 520 | 520 | 520 | 520 | 500 | f7 | 620 | 620 | 620 | 620 | 550 | f8 | 720 | 720 | 720 | 720 | 600 | f9 | 750 | 750 | 750 | 750 | 650 | fA | 780 | 780 | 780 | 780 | 700 | fB | 780 | 780 | 780 | 780 | 700 | fC | 880 | 880 | 880 | 880 | 800 | fD | 880 | 880 | 880 | 880 | 850 | fE | 880 | 880 | 900 | 950 | 900 | fF | 880 | 880 | 900 | 950 | 950 | | | | | | | | | | | | | | | | | | | |
| Tap | RPM | | | | | | | | | | | | | | | | | | | | | | | | | | | | | | | | | | | | | | | | | | | | | | | | | | | | | | | | | | | | | | | | | | | | | | | | | | | | | | | | | | | | | | | | | | | | | | | | | | | | | | | | | | | | | | | | | | | | | | | | | | | | | | | |
| | RAS-B05BKVG-E | RAS-B07BKVG-E | RAS-B10BKVG-E | RAS-B13BKVG-E | RAS-B16BKVG-E | | | | | | | | | | | | | | | | | | | | | | | | | | | | | | | | | | | | | | | | | | | | | | | | | | | | | | | | | | | | | | | | | | | | | | | | | | | | | | | | | | | | | | | | | | | | | | | | | | | | | | | | | | | | | | | | | | | | | | | | | | | |
| f0 | 0 | 0 | 0 | 0 | 0 | | | | | | | | | | | | | | | | | | | | | | | | | | | | | | | | | | | | | | | | | | | | | | | | | | | | | | | | | | | | | | | | | | | | | | | | | | | | | | | | | | | | | | | | | | | | | | | | | | | | | | | | | | | | | | | | | | | | | | | | | | | |
| f1 | 300 | 300 | 300 | 300 | 200 | | | | | | | | | | | | | | | | | | | | | | | | | | | | | | | | | | | | | | | | | | | | | | | | | | | | | | | | | | | | | | | | | | | | | | | | | | | | | | | | | | | | | | | | | | | | | | | | | | | | | | | | | | | | | | | | | | | | | | | | | | | |
| f2 | 370 | 370 | 370 | 370 | 300 | | | | | | | | | | | | | | | | | | | | | | | | | | | | | | | | | | | | | | | | | | | | | | | | | | | | | | | | | | | | | | | | | | | | | | | | | | | | | | | | | | | | | | | | | | | | | | | | | | | | | | | | | | | | | | | | | | | | | | | | | | | |
| f3 | 390 | 390 | 390 | 390 | 300 | | | | | | | | | | | | | | | | | | | | | | | | | | | | | | | | | | | | | | | | | | | | | | | | | | | | | | | | | | | | | | | | | | | | | | | | | | | | | | | | | | | | | | | | | | | | | | | | | | | | | | | | | | | | | | | | | | | | | | | | | | | |
| f4 | 460 | 460 | 460 | 460 | 360 | | | | | | | | | | | | | | | | | | | | | | | | | | | | | | | | | | | | | | | | | | | | | | | | | | | | | | | | | | | | | | | | | | | | | | | | | | | | | | | | | | | | | | | | | | | | | | | | | | | | | | | | | | | | | | | | | | | | | | | | | | | |
| f5 | 500 | 500 | 500 | 500 | 440 | | | | | | | | | | | | | | | | | | | | | | | | | | | | | | | | | | | | | | | | | | | | | | | | | | | | | | | | | | | | | | | | | | | | | | | | | | | | | | | | | | | | | | | | | | | | | | | | | | | | | | | | | | | | | | | | | | | | | | | | | | | |
| f6 | 520 | 520 | 520 | 520 | 500 | | | | | | | | | | | | | | | | | | | | | | | | | | | | | | | | | | | | | | | | | | | | | | | | | | | | | | | | | | | | | | | | | | | | | | | | | | | | | | | | | | | | | | | | | | | | | | | | | | | | | | | | | | | | | | | | | | | | | | | | | | | |
| f7 | 620 | 620 | 620 | 620 | 550 | | | | | | | | | | | | | | | | | | | | | | | | | | | | | | | | | | | | | | | | | | | | | | | | | | | | | | | | | | | | | | | | | | | | | | | | | | | | | | | | | | | | | | | | | | | | | | | | | | | | | | | | | | | | | | | | | | | | | | | | | | | |
| f8 | 720 | 720 | 720 | 720 | 600 | | | | | | | | | | | | | | | | | | | | | | | | | | | | | | | | | | | | | | | | | | | | | | | | | | | | | | | | | | | | | | | | | | | | | | | | | | | | | | | | | | | | | | | | | | | | | | | | | | | | | | | | | | | | | | | | | | | | | | | | | | | |
| f9 | 750 | 750 | 750 | 750 | 650 | | | | | | | | | | | | | | | | | | | | | | | | | | | | | | | | | | | | | | | | | | | | | | | | | | | | | | | | | | | | | | | | | | | | | | | | | | | | | | | | | | | | | | | | | | | | | | | | | | | | | | | | | | | | | | | | | | | | | | | | | | | |
| fA | 780 | 780 | 780 | 780 | 700 | | | | | | | | | | | | | | | | | | | | | | | | | | | | | | | | | | | | | | | | | | | | | | | | | | | | | | | | | | | | | | | | | | | | | | | | | | | | | | | | | | | | | | | | | | | | | | | | | | | | | | | | | | | | | | | | | | | | | | | | | | | |
| fB | 780 | 780 | 780 | 780 | 700 | | | | | | | | | | | | | | | | | | | | | | | | | | | | | | | | | | | | | | | | | | | | | | | | | | | | | | | | | | | | | | | | | | | | | | | | | | | | | | | | | | | | | | | | | | | | | | | | | | | | | | | | | | | | | | | | | | | | | | | | | | | |
| fC | 880 | 880 | 880 | 880 | 800 | | | | | | | | | | | | | | | | | | | | | | | | | | | | | | | | | | | | | | | | | | | | | | | | | | | | | | | | | | | | | | | | | | | | | | | | | | | | | | | | | | | | | | | | | | | | | | | | | | | | | | | | | | | | | | | | | | | | | | | | | | | |
| fD | 880 | 880 | 880 | 880 | 850 | | | | | | | | | | | | | | | | | | | | | | | | | | | | | | | | | | | | | | | | | | | | | | | | | | | | | | | | | | | | | | | | | | | | | | | | | | | | | | | | | | | | | | | | | | | | | | | | | | | | | | | | | | | | | | | | | | | | | | | | | | | |
| fE | 880 | 880 | 900 | 950 | 900 | | | | | | | | | | | | | | | | | | | | | | | | | | | | | | | | | | | | | | | | | | | | | | | | | | | | | | | | | | | | | | | | | | | | | | | | | | | | | | | | | | | | | | | | | | | | | | | | | | | | | | | | | | | | | | | | | | | | | | | | | | | |
| fF | 880 | 880 | 900 | 950 | 950 | | | | | | | | | | | | | | | | | | | | | | | | | | | | | | | | | | | | | | | | | | | | | | | | | | | | | | | | | | | | | | | | | | | | | | | | | | | | | | | | | | | | | | | | | | | | | | | | | | | | | | | | | | | | | | | | | | | | | | | | | | | |

| Item | Operation flow and applicable data, etc. | Description | | | | | | | | | | | | | | | | | | | | | | | | | | | | | | | | | | | | | | | | | | | | | | | | | | |
|---|--|---|------------------------------|---------------------------|---------------|---------------|--|--|---------------|---------------|---------------|---------------|---------------|---------|---------|-----|-----|-----|-----|-----|--------------|-----|-----|-----|-----|-----|---------|-----|-----|-----|-----|-----|---------|---------|-----|-----|-----|-----|-----|--------------|-----|-----|-----|-----|------|---------|-----|-----|-----|-----|------|--|
| <p>4. Capacity control</p> | <p>The cooling or heating capacity depending on the load is adjusted.</p> <p>According to difference between the setup value of temperature and the room temperature, the capacity is adjusted by the compressor revolution.</p>  | <ol style="list-style-type: none"> 1) The difference between set temperature on remote controller (Ts) and room temperature (Ta) is calculated. 2) According to the temperature difference, the correction value of Hz signal which determines the compressor speed is set up. 3) The rotating position and speed of the motor are detected by the electromotive force occurred on the motor winding with operation of the compressor. 4) According to the difference resulted from comparison of the correction value of Hz signal with the present operation Hz, the inverter output and the commutation timing are varied. 5) Change the compressor motor speed by outputting power to the compressor. <p>* The contents of control operation are same in cooling operation and heating operation</p> | | | | | | | | | | | | | | | | | | | | | | | | | | | | | | | | | | | | | | | | | | | | | | | | | | |
| <p>5. Current release control</p> | <p>This function prevents troubles on the electronic parts of the compressor driving inverter.</p> <p>This function also controls drive circuit of the compressor speed so that electric power of the compressor drive circuit does not exceed the specified value.</p>  | <ol style="list-style-type: none"> 1) The input current of the outdoor unit is detected in the inverter section of the outdoor unit. 2) According to the detected outdoor temperature, the specified value of the current is selected. 3) Whether the current value exceeds the specified value or not is judged. 4) If the current value exceeds the specified value, this function reduces the compressor speed and controls speed up to the closest one commanded from the indoor unit within the range which does not exceed the specified value. | | | | | | | | | | | | | | | | | | | | | | | | | | | | | | | | | | | | | | | | | | | | | | | | | | |
| <table border="1"> <thead> <tr> <th rowspan="2">Mode</th> <th rowspan="2">Outdoor temperature: To (°C)</th> <th colspan="5">Current Release Value (A)</th> </tr> <tr> <th>RAS-B05BKVG-E</th> <th>RAS-B07BKVG-E</th> <th>RAS-B10BKVG-E</th> <th>RAS-B13BKVG-E</th> <th>RAS-B16BKVG-E</th> </tr> </thead> <tbody> <tr> <td rowspan="3">Cooling</td> <td>To ≥ 45</td> <td>3.6</td> <td>4.6</td> <td>5.3</td> <td>5.4</td> <td>5.1</td> </tr> <tr> <td>45 > To ≥ 40</td> <td>3.6</td> <td>4.6</td> <td>5.3</td> <td>6.4</td> <td>5.7</td> </tr> <tr> <td>To < 40</td> <td>3.9</td> <td>4.6</td> <td>5.3</td> <td>6.4</td> <td>5.7</td> </tr> <tr> <td rowspan="3">Heating</td> <td>To ≥ 16</td> <td>4.2</td> <td>4.9</td> <td>5.8</td> <td>6.3</td> <td>9.5</td> </tr> <tr> <td>16 > To ≥ 11</td> <td>7.2</td> <td>7.2</td> <td>7.2</td> <td>7.2</td> <td>10.8</td> </tr> <tr> <td>To < 11</td> <td>7.2</td> <td>7.2</td> <td>7.2</td> <td>7.2</td> <td>10.8</td> </tr> </tbody> </table> | | Mode | Outdoor temperature: To (°C) | Current Release Value (A) | | | | | RAS-B05BKVG-E | RAS-B07BKVG-E | RAS-B10BKVG-E | RAS-B13BKVG-E | RAS-B16BKVG-E | Cooling | To ≥ 45 | 3.6 | 4.6 | 5.3 | 5.4 | 5.1 | 45 > To ≥ 40 | 3.6 | 4.6 | 5.3 | 6.4 | 5.7 | To < 40 | 3.9 | 4.6 | 5.3 | 6.4 | 5.7 | Heating | To ≥ 16 | 4.2 | 4.9 | 5.8 | 6.3 | 9.5 | 16 > To ≥ 11 | 7.2 | 7.2 | 7.2 | 7.2 | 10.8 | To < 11 | 7.2 | 7.2 | 7.2 | 7.2 | 10.8 | |
| Mode | Outdoor temperature: To (°C) | | | Current Release Value (A) | | | | | | | | | | | | | | | | | | | | | | | | | | | | | | | | | | | | | | | | | | | | | | | | |
| | | RAS-B05BKVG-E | RAS-B07BKVG-E | RAS-B10BKVG-E | RAS-B13BKVG-E | RAS-B16BKVG-E | | | | | | | | | | | | | | | | | | | | | | | | | | | | | | | | | | | | | | | | | | | | | | |
| Cooling | To ≥ 45 | 3.6 | 4.6 | 5.3 | 5.4 | 5.1 | | | | | | | | | | | | | | | | | | | | | | | | | | | | | | | | | | | | | | | | | | | | | | |
| | 45 > To ≥ 40 | 3.6 | 4.6 | 5.3 | 6.4 | 5.7 | | | | | | | | | | | | | | | | | | | | | | | | | | | | | | | | | | | | | | | | | | | | | | |
| | To < 40 | 3.9 | 4.6 | 5.3 | 6.4 | 5.7 | | | | | | | | | | | | | | | | | | | | | | | | | | | | | | | | | | | | | | | | | | | | | | |
| Heating | To ≥ 16 | 4.2 | 4.9 | 5.8 | 6.3 | 9.5 | | | | | | | | | | | | | | | | | | | | | | | | | | | | | | | | | | | | | | | | | | | | | | |
| | 16 > To ≥ 11 | 7.2 | 7.2 | 7.2 | 7.2 | 10.8 | | | | | | | | | | | | | | | | | | | | | | | | | | | | | | | | | | | | | | | | | | | | | | |
| | To < 11 | 7.2 | 7.2 | 7.2 | 7.2 | 10.8 | | | | | | | | | | | | | | | | | | | | | | | | | | | | | | | | | | | | | | | | | | | | | | |

| Item | Operation flow and applicable data, etc. | Description |
|---|--|--|
| <p>6. Release protective control by temperature of indoor heat exchanger</p> | <p><In cooling/dry operation> (Prevent-freezing control for indoor heat exchanger) In cooling/dry operation, the sensor of indoor heat exchanger detects evaporation temperature and controls the compressor speed so that temperature of the heat exchanger does not exceed the specified value.</p>  | <ol style="list-style-type: none"> 1) When temperature of the indoor heat exchanger drops below 5°C, the compressor speed is reduced. (P zone) 2) When temperature of the indoor heat exchanger rises in the range from 6°C to under 7°C, the compressor speed is kept. (Q zone) 3) When temperature of the indoor heat exchanger rises to 7°C or higher, the capacity control operation returns to the usual control in cooling operation. (R zone) |
| | <p><In heating operation> (Prevent-overpressure control for refrigerating cycle) In heating operation, the sensor of indoor heat exchanger detects condensation temperature and controls the compressor speed so that temperature of the heat exchanger does not exceed the specified value.</p>  | <ol style="list-style-type: none"> 1) When temperature of the indoor heat exchanger rises in the range from 52°C to 55°C, the compressor speed is kept. (Q zone) When temperature of the indoor heat exchanger drops in the range from 48°C to under 55°C, the compressor speed is kept. (Q zone) 2) When temperature of the indoor heat exchanger rises to 55°C or higher, the compressor speed is reduced. (P zone) 3) When temperature of the indoor heat exchanger does not rise to 52°C, or when it drops below to 48°C, the capacity control operation returns to the usual control in heating operation. (R zone) |

| Item | Operation flow and applicable data, etc. | Description |
|---|---|---|
| 7. Defrost control (Only in heating operation) | (This function removes frost adhered to the outdoor heat exchanger.) The temperature sensor of the outdoor heat exchanger (Te sensor) judges the frosting status of the outdoor heat exchanger and the defrost operation is performed with 4-way valve reverse defrost system. | The necessity of defrost operation is detected by the outdoor heat exchanger temperature. The conditions to detect the necessity of defrost operation differ in A, B, or C zone each. (Table 1) |

Start of heating operation



* The minimum TE value and To value between 10 and 15 minutes after heating operation has started are stored in memory as TE0 and TO0, respectively.

Table 1

| Defrost zone | In normal To | In abnormal To |
|--------------|---|---|
| A zone | $TE_0 - TE \geq 3^\circ\text{C}$ & $SH - SH_0 \leq 2$ | $(TE_0 - TE) - (TO_0 - TO) \geq 3^\circ\text{C}$ & $SH - SH_0 \leq 2$ |
| B zone | $TE_0 - TE \geq 2^\circ\text{C}$ & $SH - SH_0 \leq 2$ | $(TE_0 - TE) - (TO_0 - TO) \geq 2^\circ\text{C}$ & $SH - SH_0 \leq 2$ |
| C zone | $TE \leq -25^\circ\text{C}$ & $SH - SH_0 \leq 2$ | |
| D zone | More than 90 minutes accumulate heating operation time condition $TE \leq -2^\circ\text{C}$ | |

Table 2

| Heating operation (time) | Model | | | | |
|--------------------------|---------------|---------------|---------------|---------------|---------------|
| | RAS-B05BKVG-E | RAS-B07BKVG-E | RAS-B10BKVG-E | RAS-B13BKVG-E | RAS-B16BKVG-E |
| a | 37 | 37 | 43 | 51 | 55 |
| b | 29 | 29 | 39 | 49 | 53 |
| c | 29 | 29 | 29 | 29 | 29 |
| d | 90 | | | | |

<Defrost operation>


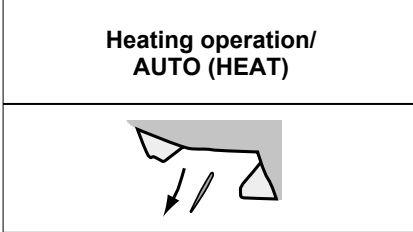


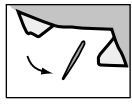


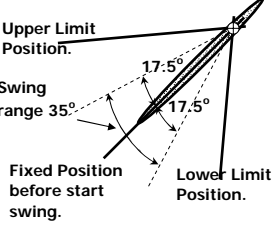
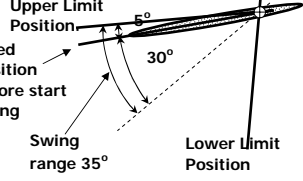


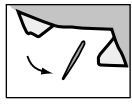




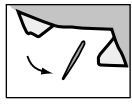


- Defrost operation in A to C zones
- 1) Stop operation of the compressor for 40 seconds.
- 2) Invert (OFF) 4-way valve 40 seconds after stop of the compressor.
- 3) The outdoor fan stops at the same time when the compressor stops.
- 4) When temperature of the indoor heat exchanger becomes 38°C or lower, stop the indoor fan.

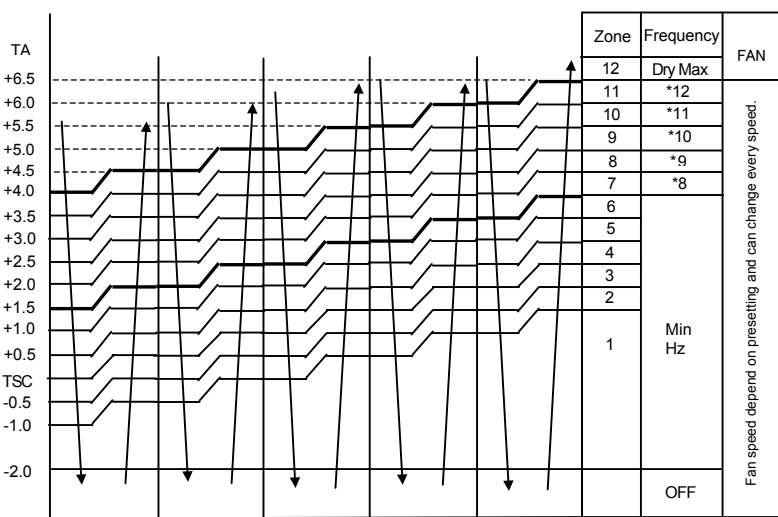
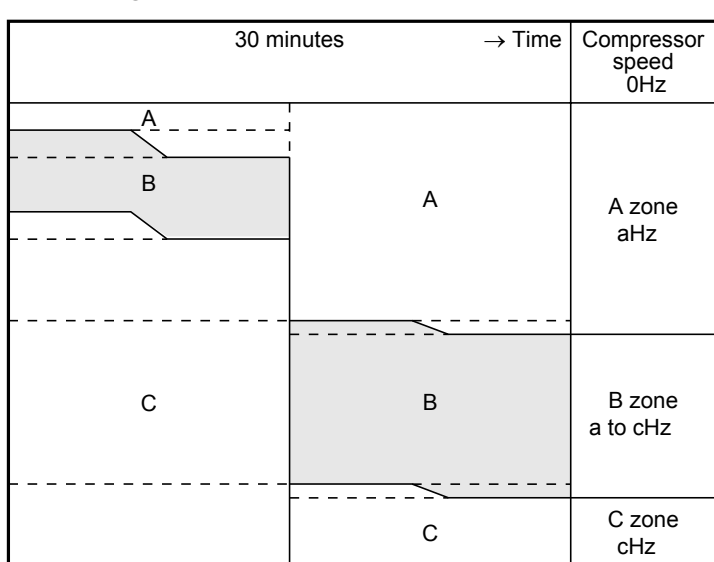
<Finish of defrost operation>

- Returning conditions from defrost operation to heating operation
- 1) Temperature of outdoor heat exchanger rises to +8°C or higher for 3 seconds.
- 2) Temperature of outdoor heat exchanger is kept at +7°C or higher for 60 seconds.
- 3) Defrost operation continues for 10 minutes.

<Returning from defrost operation>

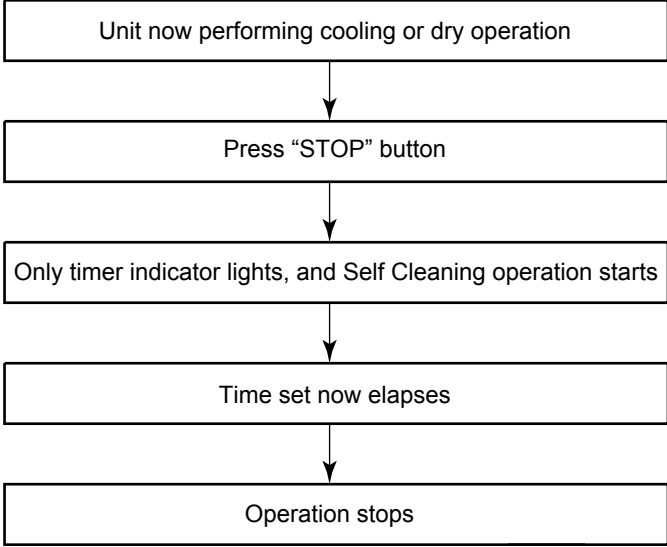
- 1) Stop operation of the compressor for approx. 40 seconds.
- 2) Invert (ON) 4-way valve approx. 30 seconds after stop of the compressor.
- 3) The outdoor fan starts rotating at the same time when the compressor starts.

| Item | Operation flow and applicable data, etc. | Description | | | | | | | | | | |
|--|---|---|---|--|------------------|--------------------|---|---|---|---|--|---|
| <p>8. Louver control</p> <p>1) Louver position</p> <p>2) Air direction adjustment</p> <p>3) Swing</p> | <p>This function controls the air direction of the indoor unit.</p> <ul style="list-style-type: none"> The position is automatically controlled according to the operation mode (COOL/HEAT). The set louver position is stored in memory by the microcomputer, and the louver returns to the stored position when the next operation is performed. (Cooling/Heating memory position) <p>The angle of the louver is indicated as the louver closes fully is 0°.</p> <p>1) Louver position in cooling operation</p> <div style="border: 1px solid black; padding: 5px; margin-bottom: 10px;"> <p style="text-align: center;">Cooling operation/ AUTO (COOL)</p>  <p style="font-size: small;">Initial setting of "Cooling storage position" Louver : Directs downward (40.9°)</p> </div> <p>2) Louver position in heating operation</p> <div style="border: 1px solid black; padding: 5px; margin-bottom: 10px;"> <p style="text-align: center;">Heating operation/ AUTO (HEAT)</p>  <p style="font-size: small;">Initial setting of "Heating storage position" Louver : Directs downward (80.5°)</p> </div> <p>2) Air direction adjustment</p> <div style="text-align: center; margin-bottom: 10px;"> <div style="border: 1px solid black; padding: 2px; display: inline-block;">Air direction</div> </div> <table border="1" style="width: 100%; text-align: center; border-collapse: collapse;"> <tr> <td style="padding: 5px;">Horizontal blowing</td> <td style="padding: 5px;">Inclined blowing</td> <td style="padding: 5px;">Blowing downward</td> <td style="padding: 5px;">Inclined blowing</td> <td style="padding: 5px;">Horizontal blowing</td> </tr> <tr> <td></td> <td></td> <td></td> <td></td> <td></td> </tr> </table> <p>3) Swing</p> <ul style="list-style-type: none"> Swing operation is performed in range 35° with the Fixed position as the center. If the swing range exceeded either upper or lower limit position, swing operation is performed in range 35° from the limit. <div style="display: flex; justify-content: space-around; margin-top: 10px;"> <div style="text-align: center;">  <p style="font-size: x-small;">Upper Limit Position. Swing range 35° Fixed Position before start swing. Lower Limit Position.</p> </div> <div style="text-align: center;">  <p style="font-size: x-small;">Upper Limit Position. Fixed Position before start swing. Swing range 35° Lower Limit Position.</p> </div> </div> | Horizontal blowing | Inclined blowing | Blowing downward | Inclined blowing | Horizontal blowing |  |  |  |  |  | <ul style="list-style-type: none"> The louver position can be arbitrarily set up by pressing [FIX] button. Swing When pressing [SWING] button during operation, the louver starts swinging. |
| Horizontal blowing | Inclined blowing | Blowing downward | Inclined blowing | Horizontal blowing | | | | | | | | |
|  |  |  |  |  | | | | | | | | |

| Item | Operation flow and applicable data, etc. | Description | | | | | | | | | | | | | | | | | | | | | | | | | | | | | | | | | | | | | | | | | | |
|--------------------------------|--|------------------|-----------------|------------|-----------------|------------|-----------|----------|-----|----|----|------------|----|---------|-----|----|-----------------|----|----|---|----|------------|---|--|--|---|--|--|---|--|--|---|--|--|---|--|--|---|--------|--|--|--|-----|--|
| <p>9. ECO operation</p> | <p>When pressing [ECO] button on the remote controller, a Economic operation is performed.</p> <p><Cooling operation></p> <p>This function operates the air conditioner with the difference between the set and the room temperature as shown in the following figure.</p>  <table border="1" data-bbox="798 448 1005 963"> <thead> <tr> <th>Zone</th> <th>Frequency</th> <th>FAN</th> </tr> </thead> <tbody> <tr><td>12</td><td>Dry Max</td><td></td></tr> <tr><td>11</td><td>*12</td><td></td></tr> <tr><td>10</td><td>*11</td><td></td></tr> <tr><td>9</td><td>*10</td><td></td></tr> <tr><td>8</td><td>*9</td><td></td></tr> <tr><td>7</td><td>*8</td><td></td></tr> <tr><td>6</td><td></td><td></td></tr> <tr><td>5</td><td></td><td></td></tr> <tr><td>4</td><td></td><td></td></tr> <tr><td>3</td><td></td><td></td></tr> <tr><td>2</td><td></td><td></td></tr> <tr><td>1</td><td>Min Hz</td><td></td></tr> <tr><td></td><td></td><td>OFF</td></tr> </tbody> </table> <p style="text-align: right; font-size: small;">Fan speed depend on presetting and can change every speed.</p> | Zone | Frequency | FAN | 12 | Dry Max | | 11 | *12 | | 10 | *11 | | 9 | *10 | | 8 | *9 | | 7 | *8 | | 6 | | | 5 | | | 4 | | | 3 | | | 2 | | | 1 | Min Hz | | | | OFF | <p><Cooling operation></p> <ol style="list-style-type: none"> 1) The control target temperature increase 0.5°C per hour up to 2°C starting from the set temperature when ECONO has been received. 2) The indoor fan speed is depend on presetting and can change every speed after setting ECO operation. 3) The compressor speed is controlled as shown in the left figure. |
| Zone | Frequency | FAN | | | | | | | | | | | | | | | | | | | | | | | | | | | | | | | | | | | | | | | | | | |
| 12 | Dry Max | | | | | | | | | | | | | | | | | | | | | | | | | | | | | | | | | | | | | | | | | | | |
| 11 | *12 | | | | | | | | | | | | | | | | | | | | | | | | | | | | | | | | | | | | | | | | | | | |
| 10 | *11 | | | | | | | | | | | | | | | | | | | | | | | | | | | | | | | | | | | | | | | | | | | |
| 9 | *10 | | | | | | | | | | | | | | | | | | | | | | | | | | | | | | | | | | | | | | | | | | | |
| 8 | *9 | | | | | | | | | | | | | | | | | | | | | | | | | | | | | | | | | | | | | | | | | | | |
| 7 | *8 | | | | | | | | | | | | | | | | | | | | | | | | | | | | | | | | | | | | | | | | | | | |
| 6 | | | | | | | | | | | | | | | | | | | | | | | | | | | | | | | | | | | | | | | | | | | | |
| 5 | | | | | | | | | | | | | | | | | | | | | | | | | | | | | | | | | | | | | | | | | | | | |
| 4 | | | | | | | | | | | | | | | | | | | | | | | | | | | | | | | | | | | | | | | | | | | | |
| 3 | | | | | | | | | | | | | | | | | | | | | | | | | | | | | | | | | | | | | | | | | | | | |
| 2 | | | | | | | | | | | | | | | | | | | | | | | | | | | | | | | | | | | | | | | | | | | | |
| 1 | Min Hz | | | | | | | | | | | | | | | | | | | | | | | | | | | | | | | | | | | | | | | | | | | |
| | | OFF | | | | | | | | | | | | | | | | | | | | | | | | | | | | | | | | | | | | | | | | | | |
| | <p>* 12 (DRY max - COOL min) /6 x 5 + COOL min * 11 (DRY max - COOL min) /6 x 4 + COOL min * 10 (DRY max - COOL min) /6 x 3 + COOL min * 9 (DRY max - COOL min) /6 x 2 + COOL min * 8 (DRY max - COOL min) /6 x 1 + COOL min</p> <table border="1" data-bbox="414 1187 1228 1321"> <thead> <tr> <th>Hz</th> <th>B05BKVG-E</th> <th>B07BKVG-E</th> <th>B10BKVG-E</th> <th>B13BKVG-E</th> <th>B16BKVG-E</th> </tr> </thead> <tbody> <tr> <td>Cool min</td> <td>13</td> <td>13</td> <td>13</td> <td>13</td> <td>13</td> </tr> <tr> <td>DRY max</td> <td>31</td> <td>31</td> <td>31</td> <td>35</td> <td>35</td> </tr> </tbody> </table> | Hz | B05BKVG-E | B07BKVG-E | B10BKVG-E | B13BKVG-E | B16BKVG-E | Cool min | 13 | 13 | 13 | 13 | 13 | DRY max | 31 | 31 | 31 | 35 | 35 | | | | | | | | | | | | | | | | | | | | | | | | | |
| Hz | B05BKVG-E | B07BKVG-E | B10BKVG-E | B13BKVG-E | B16BKVG-E | | | | | | | | | | | | | | | | | | | | | | | | | | | | | | | | | | | | | | | |
| Cool min | 13 | 13 | 13 | 13 | 13 | | | | | | | | | | | | | | | | | | | | | | | | | | | | | | | | | | | | | | | |
| DRY max | 31 | 31 | 31 | 35 | 35 | | | | | | | | | | | | | | | | | | | | | | | | | | | | | | | | | | | | | | | |
| | <p><Heating operation></p>  <table border="1" data-bbox="861 1366 1005 1926"> <thead> <tr> <th>Compressor speed</th> <th>0Hz</th> <th>A zone aHz</th> <th>B zone a to cHz</th> <th>C zone cHz</th> </tr> </thead> <tbody> <tr><td>0Hz</td><td></td><td></td><td></td><td></td></tr> <tr><td>A zone aHz</td><td></td><td></td><td></td><td></td></tr> <tr><td>B zone a to cHz</td><td></td><td></td><td></td><td></td></tr> <tr><td>C zone cHz</td><td></td><td></td><td></td><td></td></tr> </tbody> </table> | Compressor speed | 0Hz | A zone aHz | B zone a to cHz | C zone cHz | 0Hz | | | | | A zone aHz | | | | | B zone a to cHz | | | | | C zone cHz | | | | | <p><Heating operation></p> <ol style="list-style-type: none"> 1) Setting the compressor speed to Max. aHz, the temperature zone in which the operation can be performed with Max. cHz is gradually widened after 30 minutes passed when starting ECO operation. 2) The indoor fan speed is depend on presetting and can change every speed after setting ECO operation. | | | | | | | | | | | | | | | | | |
| Compressor speed | 0Hz | A zone aHz | B zone a to cHz | C zone cHz | | | | | | | | | | | | | | | | | | | | | | | | | | | | | | | | | | | | | | | | |
| 0Hz | | | | | | | | | | | | | | | | | | | | | | | | | | | | | | | | | | | | | | | | | | | | |
| A zone aHz | | | | | | | | | | | | | | | | | | | | | | | | | | | | | | | | | | | | | | | | | | | | |
| B zone a to cHz | | | | | | | | | | | | | | | | | | | | | | | | | | | | | | | | | | | | | | | | | | | | |
| C zone cHz | | | | | | | | | | | | | | | | | | | | | | | | | | | | | | | | | | | | | | | | | | | | |
| | <table border="1" data-bbox="414 1926 1228 2078"> <thead> <tr> <th>Hz</th> <th>B05BKVG-E</th> <th>B07BKVG-E</th> <th>B10BKVG-E</th> <th>B13BKVG-E</th> <th>B16BKVG-E</th> </tr> </thead> <tbody> <tr> <td>a</td> <td>13</td> <td>13</td> <td>13</td> <td>13</td> <td>13</td> </tr> <tr> <td>c</td> <td>29</td> <td>29</td> <td>30</td> <td>55</td> <td>45</td> </tr> </tbody> </table> | Hz | B05BKVG-E | B07BKVG-E | B10BKVG-E | B13BKVG-E | B16BKVG-E | a | 13 | 13 | 13 | 13 | 13 | c | 29 | 29 | 30 | 55 | 45 | | | | | | | | | | | | | | | | | | | | | | | | | |
| Hz | B05BKVG-E | B07BKVG-E | B10BKVG-E | B13BKVG-E | B16BKVG-E | | | | | | | | | | | | | | | | | | | | | | | | | | | | | | | | | | | | | | | |
| a | 13 | 13 | 13 | 13 | 13 | | | | | | | | | | | | | | | | | | | | | | | | | | | | | | | | | | | | | | | |
| c | 29 | 29 | 30 | 55 | 45 | | | | | | | | | | | | | | | | | | | | | | | | | | | | | | | | | | | | | | | |

| Item | Operation flow and applicable data, etc. | Description | | | | | | | | | | | | | |
|--|---|---|-------|--|-------|------------------------------|-------|---------------------------------|-------|-----------------------------|------|---|--|---|---|
| <p>10. Temporary operation</p> | <p>Pressing [RESET] button starts the temporary operation of [AUTO] operation. When keeping [RESET] button pressed for 10 seconds or more, the temporary [COOL] operation is performed.</p> <pre> graph TD A[Press RESET button.] --> B{Did you press [RESET] button for 3 seconds or more?} B -- NO --> C[Temporary [AUTO] operation] B -- YES --> D{Did you press [RESET] button for 10 seconds or more?} D -- YES --> E[Temporary [COOL] Operation] D -- NO --> F[Switch to [AUTO RESTART] control.] </pre> | <ol style="list-style-type: none"> 1) When pressing [RESET] button, the temporary [AUTO] operation starts. 2) When keeping [RESET] button pressed for 3 seconds or more, Pi, Pi, Pi sound is heard and [AUTO RESTART] control is changed. 3) When keeping [RESET] button pressed for 10 seconds or more, "Pi" sound is heard and the temporary [COOL] operation starts. 4) To stop the temporary operation, press the button again. | | | | | | | | | | | | | |
| <p>11. Discharge temperature control</p> <table border="1" data-bbox="161 920 922 1263"> <thead> <tr> <th data-bbox="161 920 316 965">Td value</th> <th data-bbox="316 920 922 965">Control operation</th> </tr> </thead> <tbody> <tr> <td data-bbox="161 965 316 1010">117°C</td> <td data-bbox="316 965 922 1010">Judges as an error and stops the compressor.</td> </tr> <tr> <td data-bbox="161 1010 316 1055">115°C</td> <td data-bbox="316 1010 922 1055">Reduce the compressor speed.</td> </tr> <tr> <td data-bbox="161 1055 316 1099">106°C</td> <td data-bbox="316 1055 922 1099">Reduce slowly compressor speed.</td> </tr> <tr> <td data-bbox="161 1099 316 1144">103°C</td> <td data-bbox="316 1099 922 1144">Keeps the compressor speed.</td> </tr> <tr> <td data-bbox="161 1144 316 1211">96°C</td> <td data-bbox="316 1144 922 1211">If the operation is performed with lower speed than one commanded by the serial signal, speed is slowly raised up to the commanded speed.</td> </tr> <tr> <td data-bbox="161 1211 316 1263"></td> <td data-bbox="316 1211 922 1263">Operates with speed commanded by the serial signal.</td> </tr> </tbody> </table> | Td value | Control operation | 117°C | Judges as an error and stops the compressor. | 115°C | Reduce the compressor speed. | 106°C | Reduce slowly compressor speed. | 103°C | Keeps the compressor speed. | 96°C | If the operation is performed with lower speed than one commanded by the serial signal, speed is slowly raised up to the commanded speed. | | Operates with speed commanded by the serial signal. | <p>1. Purpose This function detects error on the refrigerating cycle or error on the compressor, and performs protective control.</p> <p>2. Operation</p> <ul style="list-style-type: none"> • Control of the compressor speed The speed control is performed as described in the left table based upon the discharge temperature. |
| Td value | Control operation | | | | | | | | | | | | | | |
| 117°C | Judges as an error and stops the compressor. | | | | | | | | | | | | | | |
| 115°C | Reduce the compressor speed. | | | | | | | | | | | | | | |
| 106°C | Reduce slowly compressor speed. | | | | | | | | | | | | | | |
| 103°C | Keeps the compressor speed. | | | | | | | | | | | | | | |
| 96°C | If the operation is performed with lower speed than one commanded by the serial signal, speed is slowly raised up to the commanded speed. | | | | | | | | | | | | | | |
| | Operates with speed commanded by the serial signal. | | | | | | | | | | | | | | |

| Item | Operation flow and applicable data, etc. | Description |
|---|--|---|
| <p>12. Pulse Modulating valve (P.M.V.) control</p> | <p>This function controls throttle amount of the refrigerant in the refrigerating cycle. According to operating status of the air conditioner, this function also controls the open degree of valve with an expansion valve with pulse Modulation.</p> <pre> graph TD Start[Starting up] --> Init[Initialize] Init --> Move[Move to initial position] Move --> Comp[Compressor ON] Comp --> SH[SH control] Comp --> Td[Td release control] SH --> PMV[PMV open degree control] Td --> PMV PMV --> Stop[Stop by remote controller] PMV --> Room[Room temp. sensor (Ta sensor) control] Stop --> Power[Power OFF] Room --> Defrost[Defrost] Defrost --> Move </pre> <p>* SH (Super Heat amount) = Ts (Temperature of suction pipe of the compressor) – Tc or Te (Heat exchanger temperature at evaporation side) * PMV: Pulse Modulating Valve</p> | <ol style="list-style-type: none"> 1) When starting the operation, move the valve once until it fits to the stopper. (Initialize) * In this time, "Click" sound may be heard. 2) Adjust the open degree of valve by super heat amount. (SH control) 3) If the discharge temperature was excessively up, adjust the open degree of valve so that it is in the range of set temperature. (Discharge temp. control) 4) When defrost operation is performed, the open degree of valve is adjusted according to each setup conditions during preparation for defrost and during defrost operation (4-way valve is inverted.). 5) To turn off the compressor while the air conditioner stops by control of the thermostat or by remote controller, adjust the open degree of valve to the setup value before stop of the compressor. |

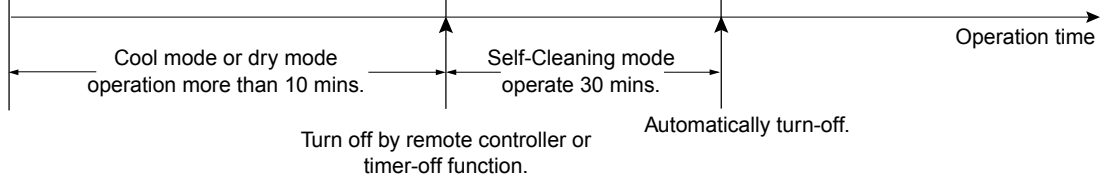
| Item | Operation flow and applicable data, etc. | Description | | | | | | | | | | | | | |
|--|---|--|----------------|------------------------------|-----------------------------|------------------|--|----------------------|----------|-------------------------|--------------------------------------|--|-----------------|----------|--|
| <p>13. Self-Cleaning function</p> |  <pre> graph TD A[Unit now performing cooling or dry operation] --> B[Press "STOP" button] B --> C[Only timer indicator lights, and Self Cleaning operation starts] C --> D[Time set now elapses] D --> E[Operation stops] </pre> <ul style="list-style-type: none"> • During Self-Cleaning operations: The louver opens slightly. The indoor fan operates continuously at a speed of 500 rpm. <p>Self-Cleaning operation times</p> <table border="1" data-bbox="397 1227 1262 1576"> <thead> <tr> <th></th> <th>Operation time</th> <th>Self-Cleaning operation time</th> </tr> </thead> <tbody> <tr> <td rowspan="2">Cooling: Auto (cooling) Dry</td> <td>Up to 10 minutes</td> <td>No Self-Cleaning operation performed (0 minutes)</td> </tr> <tr> <td>10 minutes or longer</td> <td>30 mins.</td> </tr> <tr> <td>Heating: Auto (heating)</td> <td colspan="2" rowspan="3">No Self-Cleaning operation performed</td> </tr> <tr> <td>Auto (fan only)</td> </tr> <tr> <td>Shutdown</td> </tr> </tbody> </table> <ul style="list-style-type: none"> • To stop an ongoing Self-Cleaning operation at any time Press the start/stop button on the remote controller twice during the Self-Cleaning operation. (After pressing the button for the first time, press it for the second time without delay (within 10 minutes).) | | Operation time | Self-Cleaning operation time | Cooling: Auto (cooling) Dry | Up to 10 minutes | No Self-Cleaning operation performed (0 minutes) | 10 minutes or longer | 30 mins. | Heating: Auto (heating) | No Self-Cleaning operation performed | | Auto (fan only) | Shutdown | <p>1. Purpose</p> <p>The Self-Cleaning operation is to minimize the growth of mold, bacteria etc. by running the fan and drying so as to keep the inside of the air conditioner clean.</p> <p>Self-Cleaning operation</p> <p>When the cooling or dry operation shuts down, the unit automatically starts the Self-Cleaning operation which is then performed for the specified period based on duration of the operation which was performed prior to the shutdown, after which the Self-Cleaning operation stops. (The Self-Cleaning operation is not performed after a heating operation.)</p> <p>2. Operation</p> <ol style="list-style-type: none"> 1) When the stop signal from the remote controller or timer-off function is received, only the timer indicator light. 2) The period of the Self-Cleaning operation is determined by the duration of the operation performed prior to the reception of the stop code. 3) After the Self-Cleaning operation has been performed for the specified period, the unit stops operating. |
| | Operation time | Self-Cleaning operation time | | | | | | | | | | | | | |
| Cooling: Auto (cooling) Dry | Up to 10 minutes | No Self-Cleaning operation performed (0 minutes) | | | | | | | | | | | | | |
| | 10 minutes or longer | 30 mins. | | | | | | | | | | | | | |
| Heating: Auto (heating) | No Self-Cleaning operation performed | | | | | | | | | | | | | | |
| Auto (fan only) | | | | | | | | | | | | | | | |
| Shutdown | | | | | | | | | | | | | | | |

| Item | Operation flow and applicable data, etc. | Description |
|------|--|-------------|
|------|--|-------------|

13. Self-Cleaning function

13-1-1. Self-Cleaning diagram

| | | | |
|-------------------|---|----------------|--|
| Operation display | ON | OFF | OFF |
| FCU fan | ON rpm is depend on presetting. | ON (500RPM) | OFF |
| FCU louver | OPEN | OPEN (12.7°) | CLOSE |
| Timer display | ON or OFF depend on presetting of timer function. | ON | ON or OFF depend on presetting of timer function. |
| Compressor | ON or OFF depend on presetting per room temperature. | OFF | OFF |
| CDU fan | ON or OFF depend on presetting per room temperature. | OFF | OFF |



13-1-2. Self-Cleaning function release

How to set/cancel Self-Cleaning function

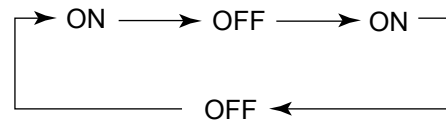
To set/cancel the Self-Cleaning function, proceed as follows:

- Setting diagnosis code "06" on remote controlle (See detail of setting diagnosis code in 11-4-1)
- Turn on the power supply to air conditioner, after that press [RESET] button on air conditioner 1 time to turn on the air conditioner (The LED display will show in operation LED) ①
- Take the remote controller to direction of LED display on air conditioner, press button "up" (see detail of setting diagnosis code in 11-4-1) 1 time to send the code "07"
(within 3 sec. after press [RESET] button), then air conditioner will shutdown automatically. Also, LED display will show flash follow the able below.

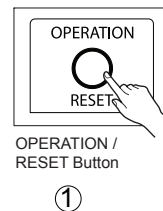
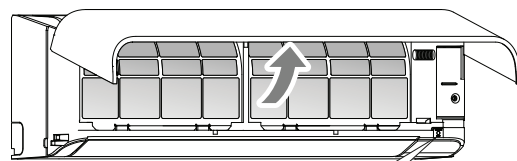
| Self-cleaning function | Operation LED | Timer LED |
|------------------------|---------------|------------|
| ON | flash 1 Hz | not flash |
| OFF | flash 1 Hz | Flash 1 Hz |


Note) Table above will show current status of Self-Cleaning function













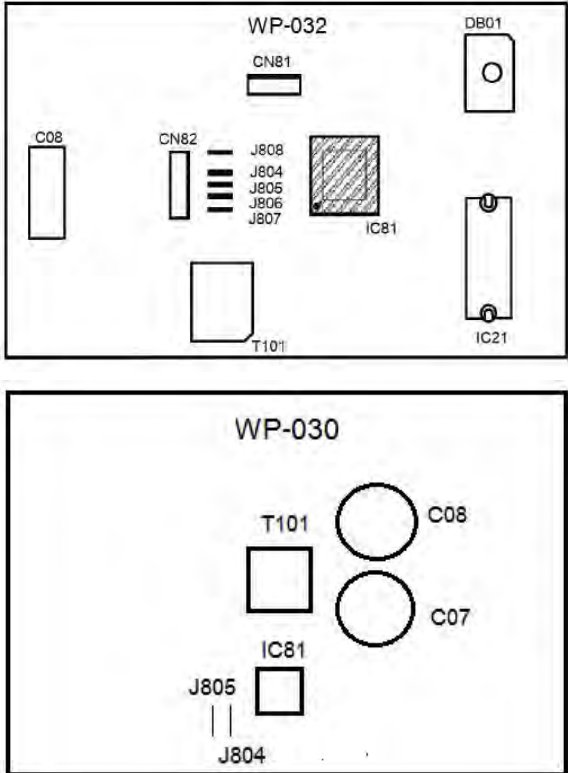
- Set or Cancel Self-Cleaning function by push the RESET button on air conditioner. When setting is changed, the sound warning will alarm "Beep". The setting is changed following below.



- Turn on air conditioner again by remote controller to confirm setting.



| Item | Operation flow and applicable data, etc. | Description |
|------------------------------------|---|---|
| 14. Remote-A or B selection | <p>Setting the remote controller</p> <p>To separate using of remote control for each indoor unit in case of 2 air conditioner are installed nearby.</p> <p>Remote Control B Setup.</p> <ol style="list-style-type: none"> 1) Press [RESET] button on the indoor unit to turn the air conditioner ON. 2) Point the remote control at the indoor unit. 3) Push and hold [CHECK] button on the Remote Control by the tip of the pencil. "00" will be shown on the display (Picture ①). 4) Press [MODE] during pushing [CHECK]. "B" will show on the display and "00" will disappear and the air conditioner will turn OFF. The Remote Control B is memorized (Picture ②). <p>Note : 1. Repeat above step to reset Remote Control to be A. 2. Remote Control A has not "A" display. 3. Default setting of Remote Control from factory is A.</p> <div style="text-align: center;">  </div> | <ol style="list-style-type: none"> 1. Purpose This operation is to operate only one indoor unit using one remote controller. 2. Description When operating one indoor unit in a situation where two indoor units have been installed in the same room or nearby rooms, this operation prevents the remote controller signal from being received simultaneously by both units, thus preventing both units from operating. 3. Operation The indoor unit on which the remote controller selection has been set to B receives the signal of the remote controller also set to B. (At the factory the remote controller selection is set to A on all the indoor units. There is no A setting display.) |
| 15. Hi-POWER Mode | <p>([Hi-POWER] button on the remote controller is pressed)</p> <p>When [Hi-POWER] button is pressed while the indoor unit is in Auto, Cooling or Heating operation, Hi-POWER mark is indicated on the display of the remote controller and the unit operates as follows.</p> <ol style="list-style-type: none"> 1. Automatic operation <ul style="list-style-type: none"> • The indoor unit operates in according to the current operation. 2. Cooling operation <ul style="list-style-type: none"> • The preset temperature drops 1°C (The value of the preset temperature on the remote controller does not change.) The indoor unit's fan speed level increase 1 tap 3. Heating operation <ul style="list-style-type: none"> • The preset temperature increases 2°C (The value of the preset temperature on the remote controller does not change.) The indoor unit's fan speed level increase 1 tap 4. The Hi-POWER mode can not be set in Dry operation | |

| Item | Operation flow and applicable data, etc. | Description | | | | | | | | | | | | | | | |
|--|--|---|-------------------|------------|-----------|--|------|-----------|---|-----|-----------|--|-----|-----------|--|----------------|--|
| <p>16. Display lamp brightness adjustment</p> | <p>To decrease the display lamp brightness or turn it off.</p> <p>1. Press and hold [FAN] for 3 seconds until brightness level (<i>d0</i>, <i>d1</i>, <i>d2</i> or <i>d3</i>) is shown on remote controller display.</p> <p>2. Press [TEMP.] to rise or decrease the brightness in 4 levels.</p> <table border="1" data-bbox="379 479 1235 913"> <thead> <tr> <th>Remote control LCD</th> <th>Operation display</th> <th>Brightness</th> </tr> </thead> <tbody> <tr> <td><i>d3</i></td> <td> Lamp illuminates full brightness.</td> <td>100%</td> </tr> <tr> <td><i>d2</i></td> <td> Lamp illuminates 50% brightness.</td> <td>50%</td> </tr> <tr> <td><i>d1</i></td> <td> Lamp illuminates 50% brightness and the operation lamp is turned off.</td> <td>50%</td> </tr> <tr> <td><i>d0</i></td> <td> All lamps are turned off.</td> <td>All turned off</td> </tr> </tbody> </table> <p>• In the examples of <i>d1</i> and <i>d0</i>, the lamp illuminates for 5 seconds before going off.</p> | Remote control LCD | Operation display | Brightness | <i>d3</i> |  Lamp illuminates full brightness. | 100% | <i>d2</i> |  Lamp illuminates 50% brightness. | 50% | <i>d1</i> |  Lamp illuminates 50% brightness and the operation lamp is turned off. | 50% | <i>d0</i> |  All lamps are turned off. | All turned off | |
| Remote control LCD | Operation display | Brightness | | | | | | | | | | | | | | | |
| <i>d3</i> |  Lamp illuminates full brightness. | 100% | | | | | | | | | | | | | | | |
| <i>d2</i> |  Lamp illuminates 50% brightness. | 50% | | | | | | | | | | | | | | | |
| <i>d1</i> |  Lamp illuminates 50% brightness and the operation lamp is turned off. | 50% | | | | | | | | | | | | | | | |
| <i>d0</i> |  All lamps are turned off. | All turned off | | | | | | | | | | | | | | | |
| <p>17. Operation mode select table</p> | <p>Operating system setting</p>  <p>• Do cut J804 for cooling only system • Do cut J805 for heating only system • Do cut both of J804 and J805 for return to factory default.</p> | <p>1. Purpose Choosing the operating system as appropriate in real condition</p> <p>2. Operation Factory default setting prefer "Heat pump" system. Through it is able to cooling only system heating only system or return to factory default.</p> | | | | | | | | | | | | | | | |

9-3. Auto Restart Function

This indoor unit is equipped with an automatic restarting function which allows the unit to restart operating with the set operating conditions in the event of a power supply being accidentally shut down.

The operation will resume without warning three minutes after power is restored.

This function is not set to work when shipped from the factory. Therefore it is necessary to set it to work.

9-3-1. How to Set the Auto Restart Function

To set the auto restart function, proceed as follows:

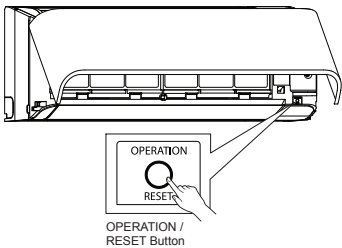
The power supply to the unit must be on ; the function will not set if the power is off.

Press the [RESET] button located in the center of the front panel continuously for three seconds.

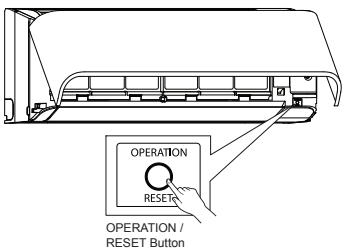
The unit receives the signal and beeps three times.

The unit then restarts operating automatically in the event of power supply being accidentally shut down.

- **When the unit is standby (Not operating)**

| Operation | Motions |
|--|--|
| <p>Press [RESET] button for more than three seconds. (Less than 10 seconds)</p>  | <p>The unit is on standby.</p> <p style="text-align: center;">↓</p> <p>The unit starts to operate. The white indicator is on.</p> <p style="text-align: center;">↓ After approx. three seconds,</p> <p>The unit beeps three times and continues to operate. The white indicator flashes for 5 seconds.</p> <p>If the unit is not required to operate at this time, press [RESET] button once more or use the remote controller to turn it off.</p> |

- **When the unit is in operation**

| Operation | Motions |
|---|--|
| <p>Press [RESET] button for more than three seconds. (Less than 10 seconds)</p>  | <p>The unit is in operation. The white indicator is on.</p> <p style="text-align: center;">↓</p> <p>The unit stops operating. The white indicator is turned off.</p> <p style="text-align: center;">↓ After approx. three seconds,</p> <p>The unit beeps three times. The white indicator flashes for 5 seconds.</p> <p>If the unit is required to operate at this time, press [RESET] button once more or use the remote controller to turn it on.</p> |

- While the filter check indicator is on, the RESET button has the function of filter reset betton.

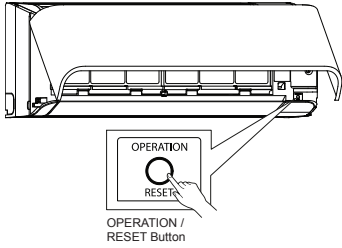
9-3-2. How to Cancel the Auto Restart Function

To cancel auto restart function, proceed as follows :

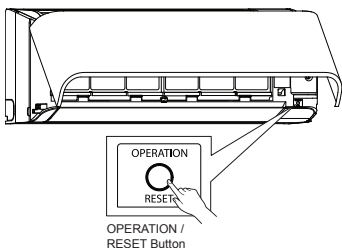
Repeat the setting procedure : the unit receives the signal and beeps three times.

The unit will be required to be turned on with the remote controller after the main power supply is turned off.

• **When the system is on stand-by (not operating)**

| Operation | Motions |
|---|---|
| <p>Press [RESET] button for more than three seconds. (Less than 10 seconds)</p>  | <p>The unit is on standby.</p> <p style="text-align: center;">↓</p> <p>The unit starts to operate. The white indicator is on.</p> <p style="text-align: center;">↓ After approx. three seconds,</p> <p>The unit beeps three times and continues to operate.</p> <p>If the unit is not required to operate at this time, press [RESET] button once more or use the remote controller to turn it off.</p> |

• **When the system is operating**

| Operation | Motions |
|---|---|
| <p>Press [RESET] button for more than three seconds. (Less than 10 seconds)</p>  | <p>The unit is in operation. The white indicator is on.</p> <p style="text-align: center;">↓</p> <p>The unit stops operating. The white indicator is turned off.</p> <p style="text-align: center;">↓ After approx. three seconds,</p> <p>The unit beeps three times.</p> <p>If the unit is required to operate at this time, press [RESET] button once more or use the remote controller to turn it on.</p> |

9-3-3. Power Failure During Timer Operation

When the unit is turned off because of power failure during timer operation, the timer operation is cancelled. In that case, set the timer operation again.

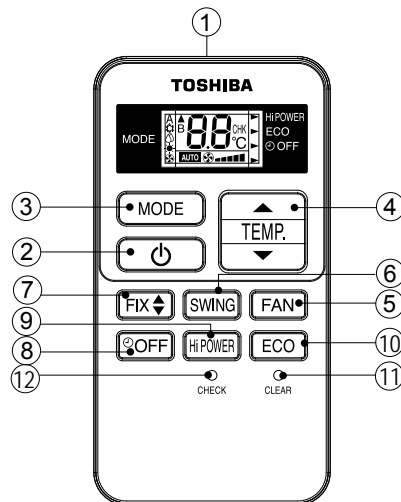
NOTE :

The Daily Timer is reset while a command signal can be received from the remote controller even if it stopped due to a power failure.

9-4. Remote Controller and Its Functions

9-4-1. Parts Name of Remote Controller

- ① Infrared signal emitter
- ② Start/Stop button
- ③ Mode select button (MODE)
- ④ Temperature button (TEMP)
- ⑤ Fan speed button (FAN)
- ⑥ Swing louver button (SWING)
- ⑦ Set louver button (FIX)
- ⑧ Off timer button (OFF)
- ⑨ High power button (Hi-POWER)
- ⑩ Economy button (ECO)
- ⑪ Clear button (CLEAR)
- ⑫ Check button (CHECK)



9-4-2. Operation of remote control

1. AUTOMATIC OPERATION

To automatically select cooling, or fan only operation.

1. Press **MODE** : Select A.
2. Press **TEMP** : Set the desired temperature.
3. Press **FAN** : Select AUTO, LOW , LOW+ , MED , MED+ , or HIGH .

2. COOLING / HEATING / FAN ONLY OPERATION

To automatically select cooling, or fan only operation.

1. Press **MODE** : Select Cool , Heat , or Fan only .
2. Press **TEMP** : Set the desired temperature.
Cooling / Heating : Min 17°C - Max 30°C, Fan Only: No temperature indication
3. Press **FAN** : Select AUTO, LOW , LOW+ , MED , MED+ , or HIGH .

3. DRY OPERATION (COOLING ONLY)

For dehumidification, a moderate cooling performance is controlled automatically.

1. Press **MODE** : Select Dry .
2. Press **TEMP** : Set the desired temperature.


4. HI-POWER OPERATION

To automatically control room temperature and airflow for faster cooling or heating operation (except in DRY and FAN ONLY mode)

- Press **HI POWER** : Start and stop the operation.

5. ECO OPERATION

To automatically control room to save energy (except in DRY and FAN ONLY mode)

Press  : Start and stop the operation.

Note: Cooling operation; the set temperature will increase automatically 1 degree/hour for 2 hours (maximum 2 degrees increase). For heating operation the set temperature will decrease.

6. TEMPORARY OPERATION

In case of the misplaced or discharged remote control

Pressing the RESET button, the unit can start or stop without using the remote control.

Operation mode is set on AUTOMATIC operation, preset temperature is 25°C and fan operation is automatic speed.

7. AUTO RESTART OPERATION

To automatically restart the conditioner after the power failure (Power of the unit must be on.)

Setting

1. Press and hold the RESET button on the indoor unit for 3 seconds to set the operation. (3 beep sound and OPERATION lamp blink 5 time/sec for 5 secpmds)
Do not operate ON timer and OFF timer.
2. Press and hold the RESET button on the indoor unit for 3 seconds to cancel the operation. (3 beep sound but OPERATION lamp does not blink)

9-4-3. Name and Functions of Indications on Remote Controller


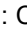
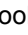
[Display]

All indications, except for the clock time indicator, are displayed by pressing the  button.

1. Transmission mark

This transmission mark ▲ indicates when the remote controller transmits signals to the indoor unit.

2. Mode indicator

Indicates the current operation mode.
(A : Auto,  : Cool,  : Dry,  : Fan only)


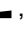



3. Temperature indicator

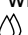
Indicates the temperature setting.
(17°C to 30°C)

4. FAN speed indicator

Indicates the selected fan speed.

AUTO or five fan speed levels

(LOW  , LOW+  , MED  , MED+  , HIGH ) can be shown.

Indicates AUTO when the operating mode is either AUTO or  : Dry.

5. OFF TIMER indicator

Indicates when the OFF timer is setting press the OFF timer button and select off time by TEMP button after that back to press OFF timer again to timer setting and push CLEAR button to stop the operation.

6. Hi-POWER indicator

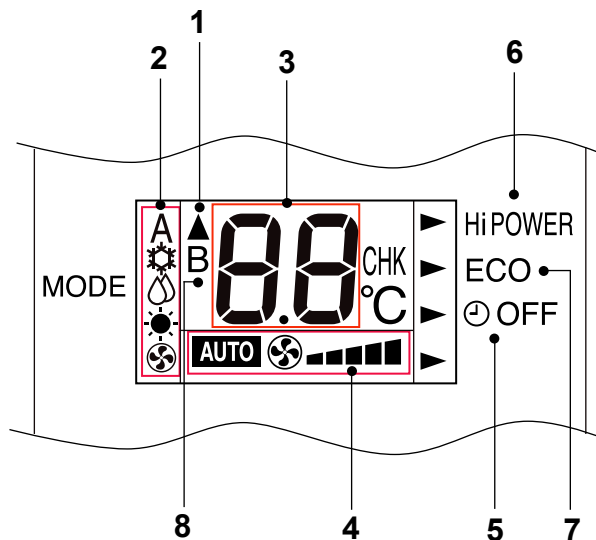
Indicates when the Hi-POWER operation starts.
Press the Hi-POWER button to start and press it again to stop the operation.

7. ECO indicator

Indicates when the ECO is in activated.
Press the ECO button to start and press it again to stop operation.

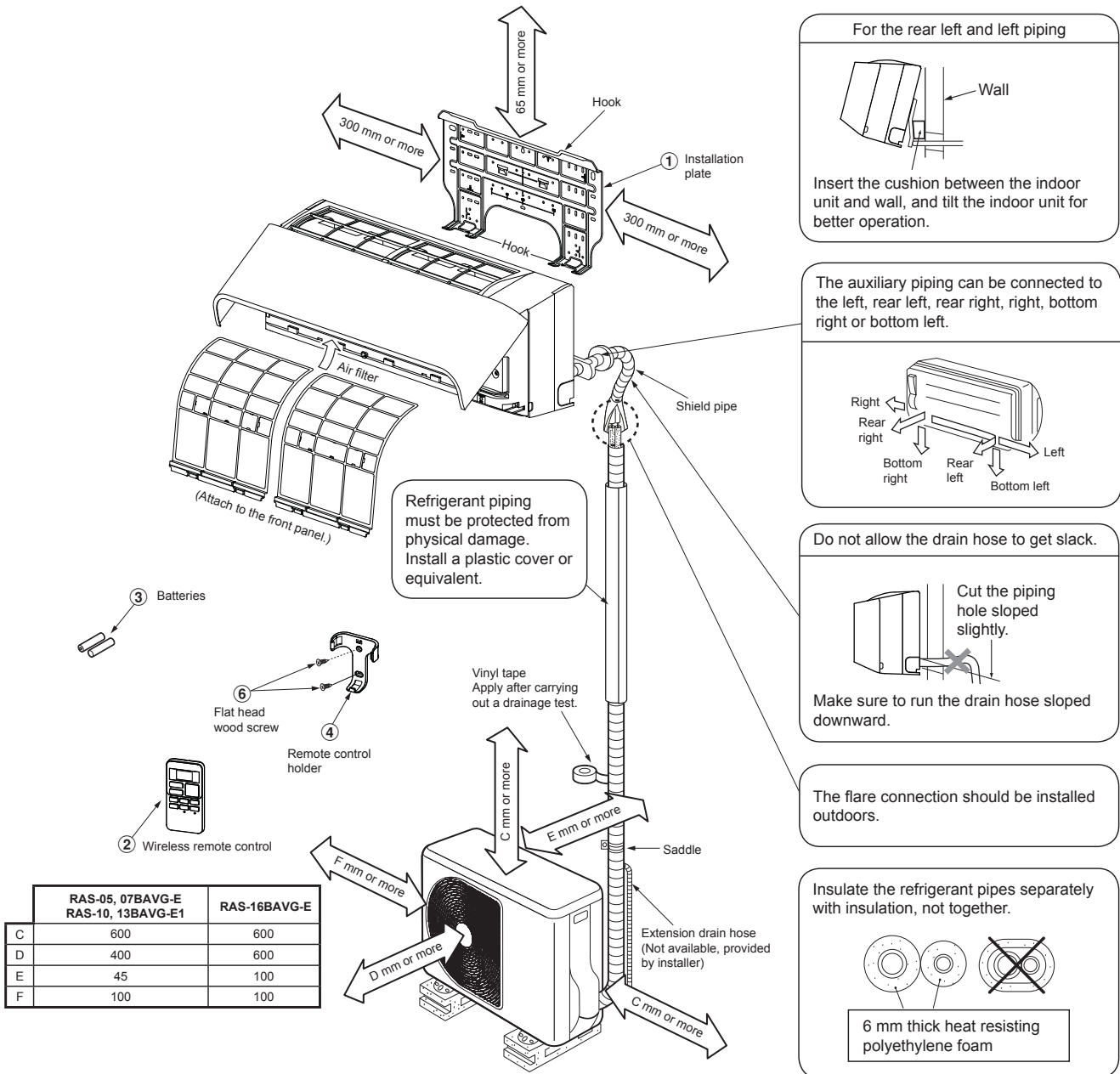
8. A, B change indicator remote controller

When the remote controller switching function is set, "B" appears in the remote controller display.
(When the remote controller setting is "A", there is no indication at this position.)



10. INSTALLATION PROCEDURE

10-1. Installation Diagram of Indoor and Outdoor Units



Before installing the wireless remote controller

- Loading Batteries
 1. Remove the battery cover.
 2. Insert 2 new batteries (AAA type) following the (+) and (-) positions.

(2) Wireless remote controller (3) Batteries

10-2. Installation

10-2-1. Optional installation parts

| Part code | Parts name | Q'ty |
|-----------|--|----------|
| Ⓐ | Refrigerant piping Liquid side : $\varnothing 6.35$ mm Gas side : $\varnothing 9.52$ mm (RAS-B05,07,10,13BKVG-E) : $\varnothing 12.70$ mm (RAS-B16BKVG-E) | One each |
| Ⓑ | Pipe insulating material (polyethylene foam, 6 mm thick) | 1 |
| Ⓒ | Putty, PVC tapes | One each |

<Fixing bolt arrangement of outdoor unit>

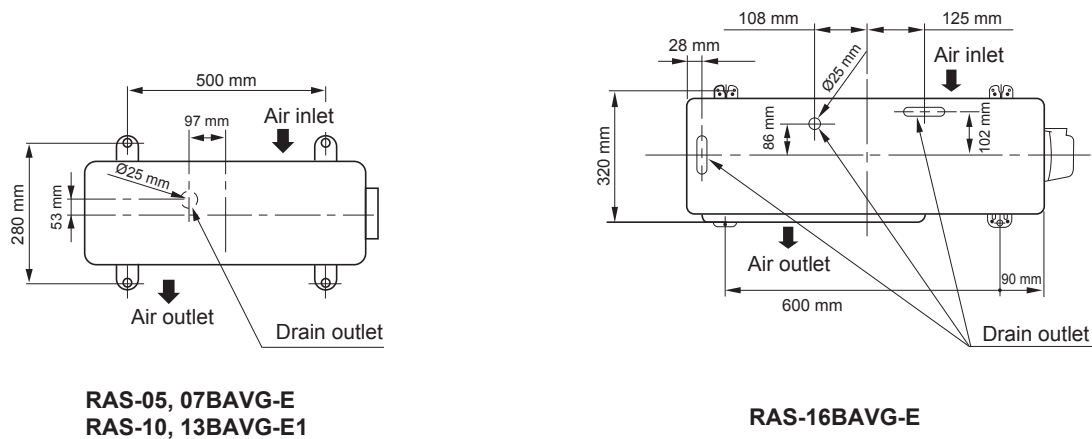
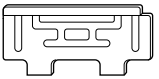

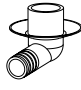
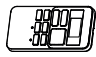

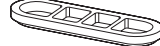
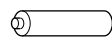



Fig. 10-2-1

- Secure the outdoor unit with fixing bolts and nuts if the unit is likely to be exposed to a strong wind.
- Use $\varnothing 8$ mm or $\varnothing 10$ mm anchor bolts and nuts.
- If it is necessary to drain the defrost water, attach drain nipple ⑦ and cap waterproof ⑧ to the bottom plate of the outdoor unit before installing it.

10-2-2. Accessory and installation parts

| Part No. | Part name (Q'ty) | Part No. | Part name (Q'ty) | Part No. | Part name (Q'ty) |
|----------|--|----------|--|----------|---|
| ① |  Installation plate x 1 | ④ |  Remote control holder x 1 | ⑦ |  Drain nipple* x 1 |
| ② |  Wireless remote control x 1 | ⑤ |  Mounting screw $\varnothing 4 \times 25 \ell \times 6$ | ⑧ |  Cap waterproof* x 2 (For RAS-16BAVG-E only) |
| ③ |  Battery x 2 | ⑥ |  Flat head wood screw $\varnothing 3.1 \times 16 \ell \times 2$ | | |

Others

| Name |
|---------------------|
| Owner's manual |
| Installation manual |

The part marked with asterisk (*) is packaged with the outdoor unit.








10-2-3. Installation/Serviceing Tools

Changes in the product and components

In the case of an air conditioner using R32, in order to prevent any other refrigerant from being charged accidentally, the service port diameter of the outdoor unit control valve (3 way valve) has been changed. (1/2 UNF 20 threads per inch)

- In order to increase the pressure resisting strength of the refrigerant piping flare processing diameter and size of opposite side of flare nuts has been changed. (for copper pipes with nominal dimensions 1/2 and 5/8)

New tools for R32(R410a)

| New tools for R32(R410a) | Applicable to R22 model | | Changes |
|---|-------------------------|---|---|
| Gauge manifold | ✗ |  | As pressure is high, it is impossible to measure by means of conventional gauge. In order to prevent any other refrigerant from being charged, each port diameter has been changed. |
| Charge hose | ✗ |  | In order to increase pressure resisting strength, hose materials and port size have been changed (to 1/2 UNF 20 threads per inch). When purchasing a charge hose, be sure to confirm the port size. |
| Electronic balance for refrigerant charging | ○ |  | As pressure is high and gasification speed is fast, it is difficult to read the indicated value by means of charging cylinder, as air bubbles occur. |
| Torque wrench (nominal diam. 1/2, 5/8) | ✗ |  | The size of opposite sides of flare nuts have been increased. Incidentally, a common wrench is used for nominal diameters 1/4 and 3/8. |
| Flare tool (clutch type) | ○ |  | By increasing the clamp bar's receiving hole, strength of spring in the tool has been improved. |
| Gauge for projection adjustment | — | — | Used when flare is made by using conventional flare tool. |
| Vacuum pump adapter | ○ |  | Connected to conventional vacuum pump. It is necessary to use an adapter to prevent vacuum pump oil from flowing back to the charge hose. The charge hose connecting part has two ports-one for conventional refrigerant (7/16 UNF 20 threads per inch) and one for R32(R410a). If the vacuum pump oil (mineral) mixes with R32(R410a) a sludge may occur and damage the equipment. |
| Gas leakage detector | ✗ |  | Exclusive for HFC refrigerant. |

- Incidentally, the “refrigerant cylinder” comes with the refrigerant designation R32(R410a) and protector coating in the U.S's ARI specified rose color (ARI color code: PMS 507).
- Also, the “charge port and packing for refrigerant cylinder” require 1/2 UNF 20 threads per inch corresponding to the charge hose's port size.

10-3. Indoor Unit

10-3-1. Installation place

- A place which provides the spaces around the indoor unit as shown in the diagram
- A place where there are no obstacles near the air inlet and outlet
- A place which allows easy installation of the piping to the outdoor unit
- A place which allows the front panel to be opened
- The indoor unit shall be installed at least 2.5 m height. Also, it must be avoided to put anything on the top of the indoor unit.

CAUTION

- Direct sunlight to the indoor unit's wireless receiver should be avoided.
- The microprocessor in the indoor unit should not be too close to RF noise sources. (For details, see the owner's manual.)

<Remote control>

- A place where there are no obstacles such as a curtain that may block the signal from the indoor unit.
- Do not install the remote control in a place exposed to direct sunlight or close to a heating source, such as a stove.
- Keep the remote control at least 1 m apart from the nearest TV set or stereo equipment. (This is necessary to prevent image disturbances or noise interference.)
- The location of the remote control should be determined as shown below.

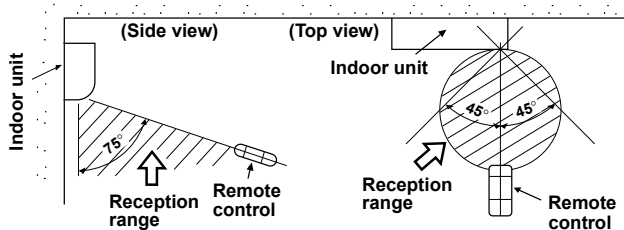


Fig. 10-3-1

10-3-2. Cutting a hole and mounting installation

<Cutting a hole>

When installing the refrigerant pipes from the rear.

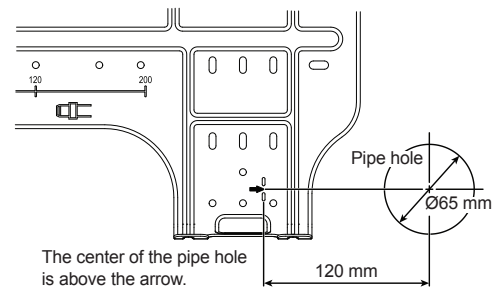


Fig. 10-3-2

1. After determining the pipe hole position on the mounting plate (→), drill the pipe hole (Ø65 mm) at a slight downward slant to the outdoor side.

NOTE

- When drilling a wall that contains a metal lath, wire lath or metal plate, be sure to use a pipe hole brim ring sold separately.

<Mounting the installation plate>

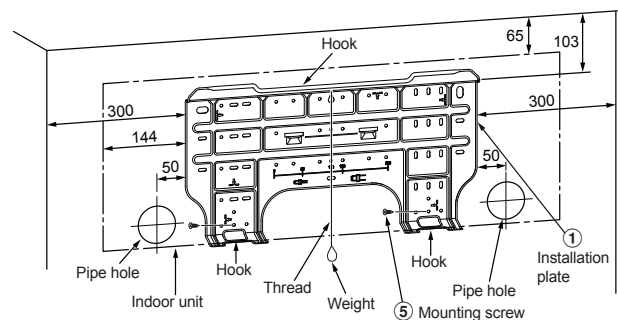


Fig. 10-3-3

<When the installation plate is directly mounted on the wall>

1. Securely fit the installation plate onto the wall by screwing it in the upper and lower parts to hook up the indoor unit.
2. To mount the installation plate on a concrete wall with anchor bolts, utilize the anchor bolt holes as illustrated in the above figure.
3. Install the installation plate horizontally in the wall.

CAUTION
When installing the installation plate with a mounting screw, do not use the anchor bolt hole. Otherwise the unit may fall down and result in personal injury and property damage.

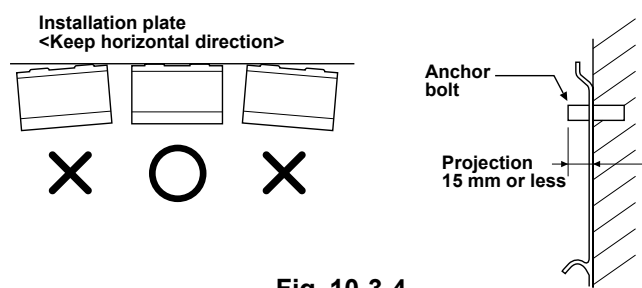


Fig. 10-3-4

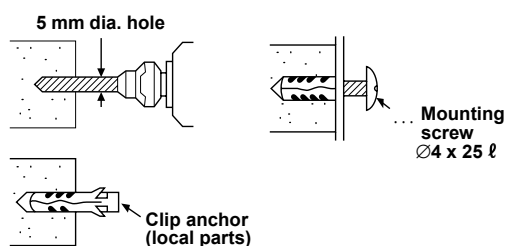


Fig. 10-3-5

CAUTION
Failure to firmly install the unit may result in personal injury and property damage if the unit falls.

- In case of block, brick, concrete or similar type walls, make 5 mm dia. holes in the wall.
- Insert clip anchors for appropriate mounting screws
-

NOTE:

- Secure four corners and lower parts of the installation plate with 4 to 6 mounting screws to install it.

10-3-3. Piping and drain hose installation

<Piping and Drain Hose Forming>

* Since dewing results in a machine trouble, make sure to insulate both the connecting pipes. (Use polyethylene foam as insulating material.)

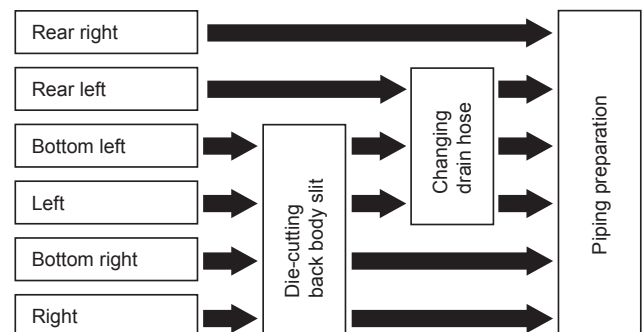


Fig. 10-3-6

1. Die-cutting back body slit

Cut out the slit on the leftward or right side of the back body for the left or right connection and the slit on the bottom left or right side of the back body for the bottom left or right connection with a pair of nippers.

2. Changing drain hose

For leftward connection, bottom-leftward connection and rear leftward connection's piping, it is necessary to change the drain hose and drain cap.

<How to remove the drain hose>

- The drain hose can be removed by removing the screw securing the drain hose and then pulling out the drain hose.
- When removing the drain hose, be careful of any sharp edges of steel plate. The edges can injuries.
- To install the drain hose, insert the drain hose firmly until the connection part contacts with heat insulator, and the secure it with original screw.

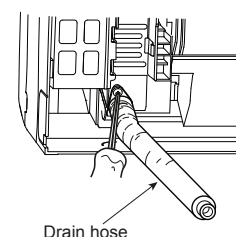


Fig.10-3-7

<How to remove the Drain Cap>

Clip the drain cap by needle-nose pliers and pull out.

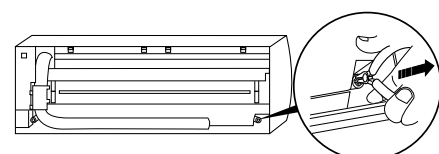


Fig. 10-3-8

<How to fix the Drain Cap>

1) Insert hexagon wrench (4 mm) in a center head.

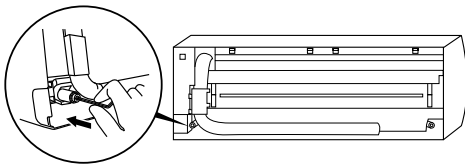


Fig. 10-3-9

2) Firmly insert drain cap.

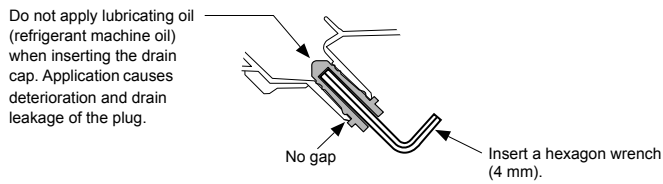


Fig. 10-3-10

CAUTION

Firmly insert the drain hose and drain cap; otherwise, water may leak.

<In case of right or left piping>

- After scribing slits of the back body with a knife or a making-off pin, cut them with a pair of nippers or an equivalent tool.

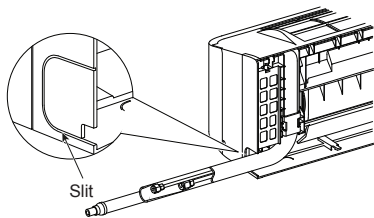


Fig. 10-3-11

<In case of bottom right or bottom left piping>

- After scribing slits of the back body with a knife or a making-off pin, cut them with a pair of nippers or an equivalent tool.

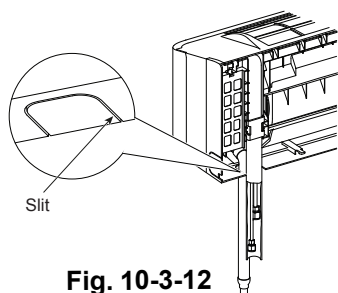


Fig. 10-3-12

<Left-hand connection with piping>

Bend the connecting pipe so that it is laid within 43 mm above the wall surface. If the connecting pipe is laid exceeding 43 mm above the wall surface, the indoor unit may unstably be set on the wall. When bending the connecting pipe, make sure to use a spring bender so as not to crush the pipe.

Bend the connection pipe within a radius of 30 mm.

To connect the pipe after installation of the unit (figure)

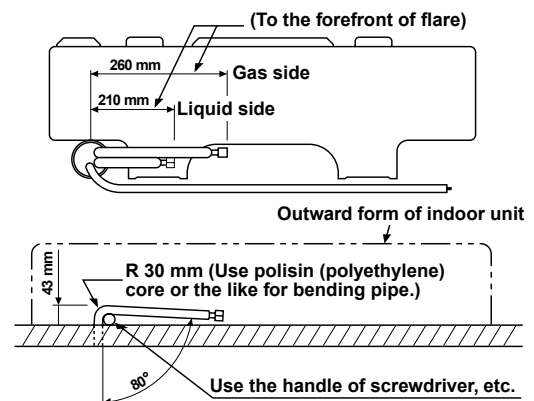


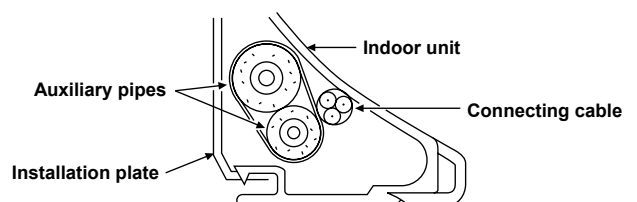
Fig. 10-3-13

NOTE

If the pipe is bent incorrectly, the indoor unit may unstably be set on the wall. After passing the connecting pipe through the pipe hole, connect the connecting pipe to the auxiliary pipes and wrap the facing tape around them.

CAUTION

- Bind the auxiliary pipes (two) and connecting cable with facing tape tightly. In case of leftward piping and rear-leftward piping, bind the auxiliary pipes (two) only with facing tape.



- Carefully arrange pipes so that any pipe does not stick out of the rear plate of the indoor unit.
- Carefully connect the auxiliary pipes and connecting pipes to each other and cut off the insulating tape wound on the connecting pipe to avoid double-taping at the joint, moreover, seal the joint with the vinyl tape, etc.
- Since dewing results in a machine trouble, make sure to insulate both the connecting pipes. (Use polyethylene foam as insulating material.)
- When bending a pipe, carefully do it, not to crush it.

10-3-4. Indoor unit fixing

1. Pass the pipe through the hole in the wall, and hook the indoor unit on the installation plate at the upper hooks.
2. Swing the indoor unit to right and left to confirm that it is firmly hooked up on the installation plate.
3. While pressing the indoor unit onto the wall, hook it at the lower part on the installation plate. Pull the indoor unit toward you to confirm that it is firmly hooked up on the installation plate.

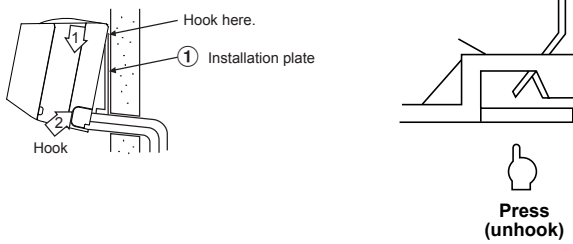


Fig. 10-3-14

- For detaching the indoor unit from the installation plate, pull the indoor unit toward you while pushing its bottom up at the specified parts.

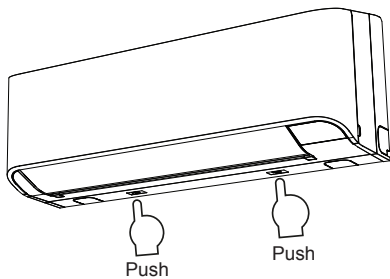


Fig. 10-3-15

10-3-5. Drainage

1. Run the drain hose sloped downwards.

NOTE

- Hole should be made at a slight downward slant on the outdoor side.

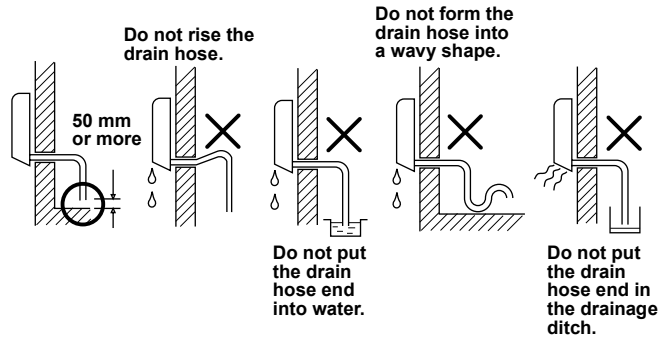


Fig. 10-3-16

2. Put water in the drain pan and make sure that the water is drained out of doors.
3. When connecting extension drain hose, insulate the connecting part of extension drain hose with shield pipe.

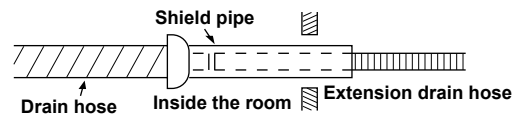


Fig. 10-3-17

CAUTION

Arrange the drain pipe for proper drainage from the unit.
Improper drainage can result in dew-dropping.

This air conditioner has the structure designed to drain water collected from dew, which forms on the back of the indoor unit, to the drain pan. Therefore, do not store the power cord and other parts at a height above the drain guide.

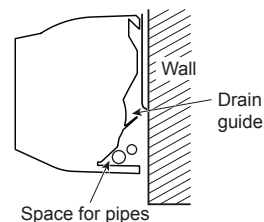


Fig. 10-3-18

10-4. Outdoor Unit

10-4-1. Installation place

- A place which provides the spaces around the outdoor unit as shown in the diagram
- A place which can bear the weight of the outdoor unit and does not allow an increase in noise level and vibration
- A place where the operation noise and discharged air do not disturb your neighbors
- A place which is not exposed to a strong wind
- A place free of a leakage of combustible gases
- A place which does not block a passage
- When the outdoor unit is to be installed in an elevated position, be sure to secure its feet.
- The allowable length of the connecting pipe.

| Models | RAS-05BAVG-E | RAS-07BAVG-E | RAS-10BAVG-E1 | RAS-13BAVG-E1 | RAS-16BAVG-E |
|---------------------------------|----------------|----------------|----------------|----------------|---------------------|
| Chargeless | Less than 15 m | Less than 15 m | Less than 15 m | Less than 15 m | Less than 15 m |
| Maximum length | 15 m | 15 m | 15 m | 15 m | 20 m |
| Additional refrigerant charging | - | - | - | - | 16 - 20m (20g / 1m) |

- The allowable height of outdoor unit installation site.

| Models | RAS-05BAVG-E | RAS-07BAVG-E | RAS-10BAVG-E1 | RAS-13BAVG-E1 | RAS-16BAVG-E |
|----------------|--------------|--------------|---------------|---------------|--------------|
| Maximum height | 12 m | 12 m | 12 m | 12 m | 12 m |

- A place where the drain water does not raise any problems

CAUTION

When the outdoor unit is installed in a place where the drain water might cause any problems, Seal the water leakage point tightly using a silicon adhesive or caulking compound.

10-4-2. Precautions about Installation in Regions with Snowfall and Cold Temperatures

- Do not use the supplied drain nipple for draining water. Drain the water from all the drain holes directly.
- To protect the outdoor unit from snow accumulation, install a holding frame, and attach a snow protection hood and plate.
- Do not use a double-stacked design.

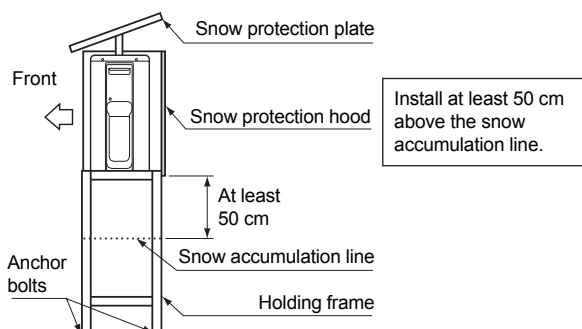


Fig. 10-4-1

CAUTION

1. Install the outdoor unit without anything blocking the air discharging.
2. When the outdoor unit is installed in a place exposed always exposed to strong wind like a coast or on a high storey of a building, secure the normal fan operation using a duct or a wind shield.
3. In particularly windy areas, install the unit such as to avoid admission of wind.
4. Installation in the following places may result in trouble.

Do not install the unit in such places.

- A place full of machine oil.
- A saline-place such as the coast.
- A place full of sulfide gas.
- A place where high-frequency waves are likely to be generated as from audio equipment, welders, and medical equipment.

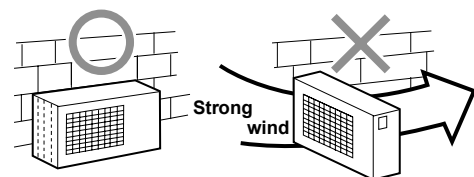


Fig. 10-4-2

10-4-3. Refrigerant piping connection

<Flaring>

1. Cut the pipe with a pipe cutter.

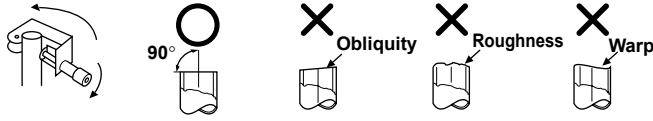


Fig. 10-4-3

2. Insert a flare nut into the pipe, and flare the pipe.

- **Projection margin in flaring : A (Unit : mm)**

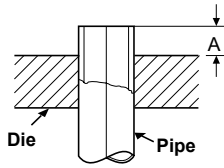


Fig. 10-4-4

Ridgid (Clutch type)

| Outer dia. of copper pipe | R32 tool used | Conventional tool used |
|---------------------------|----------------|------------------------|
| Ø6.35 | 0 to 0.5 | 1.0 to 1.5 |
| Ø9.52 | 0 to 0.5 | 1.0 to 1.5 |
| Ø12.70 | 0 to 0.5 | 1.0 to 1.5 |
| Pipes thickness | 0.8 mm or more | |

Imperial (wing nut type)

| Outer dia. of copper pipe | R32 |
|---------------------------|----------------|
| Ø6.35 | 1.5 to 2.0 |
| Ø9.52 | 1.5 to 2.0 |
| Ø12.70 | 2.0 to 2.5 |
| Pipes thickness | 0.8 mm or more |

CAUTION

- Do not scratch the inner surface of the flared part when removing burrs.
- Flare processing under the condition of scratches on the inner surface of flare processing part will cause refrigerant gas leak.

<Tightening connection>

Align the centers of the connecting pipes and tighten the flare nut as far as possible with your fingers. Then tighten the nut with a spanner and torque wrench as shown in the figure.

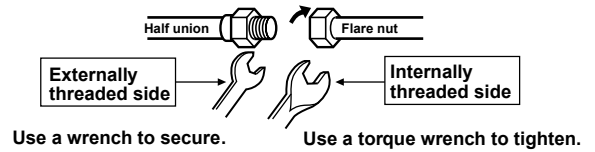


Fig. 10-4-5

CAUTION

- Do not apply excess torque.
- Otherwise, the nut may crack depending on the conditions.

(Unit : N•m)

| Outer dia. of copper pipe | Tightening torque |
|---------------------------|-----------------------------|
| Ø6.35 mm | 16 to 18 (1.6 to 1.8 kgf•m) |
| Ø9.52 mm | 30 to 42 (3.0 to 4.2 kgf•m) |
| Ø12.70 mm | 50 to 62 (5.0 to 6.2 kgf•m) |

Tightening torque of flare pipe connections

The operating pressure of R32 is higher than that of R22 (Approx. 1.6 times).

It is therefore necessary to firmly tighten the flare pipe connecting sections (which connect the indoor and outdoor units) up to the specified tightening torque. Incorrect connections may cause not only a gas leakage, but also damage to the refrigerant cycle.

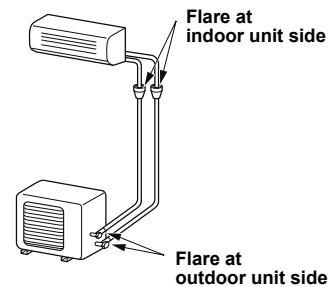


Fig. 10-4-6

AIR PURGE

Evacuate the air in the connecting pipes and in the indoor unit using a vacuum pump. Do not use the refrigerant in the outdoor unit. For details, see the manual of the vacuum pump.

<Using a vacuum pump>

Be sure to use a vacuum pump with counter-flow prevention function so that inside oil of the pump does not flow backward into pipes of the air conditioner when the pump stops. (If oil inside of the vacuum pump enters into the air conditioner, which use R32, refrigeration cycle trouble may result.)

1. Connect the charge hose from the manifold valve to the service port of the gas side packed valve.
2. Connect the charge hose to the port of the vacuum pump.
3. Open fully the low pressure side handle of the gauge manifold valve.
4. Operate the vacuum pump to start evacuating. Perform evacuating for about 15 minutes if the piping length is 20 meters. (15 minutes for 20 meters) (assuming a pump capacity of 27 liters per minute. Then confirm that the compound pressure gauge reading is -101 kPa (76 cmHg).
5. Close the low pressure side valve handle of gauge manifold.
6. Open fully the valve stem of the packed valves (both side of Gas and Liquid).
7. Remove the charging hose from the service port.
8. Securely tighten the caps on the packed valves.

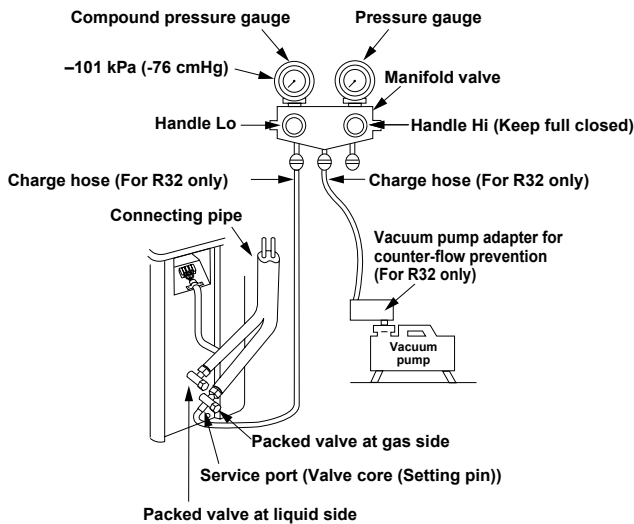


Fig. 10-4-7

CAUTION

• KEEP IMPORTANT 6 POINTS FOR PIPING WORK

- 1) Take away dust and moisture (inside of the connecting pipes).
- 2) Tighten the connections (between pipes and unit).
- 3) Evacuate the air in the connecting pipes using a VACUUM PUMP.
- 4) Check gas leak (connected points).
- 5) Be sure to fully open the packed valves before operation.
- 6) Reusable mechanical connectors and flared joints are not allowed indoors. When mechanical connectors are reused indoors, sealing parts shall be renewed. When flared joints are reused indoors, the flare part shall be refabricated.

<Packed valve handling precautions>

- Open the valve stem all the way out, but do not try to open it beyond the stopper.

| Pipe size of Packed Valve | Size of Hexagon wrench |
|---------------------------|------------------------|
| 12.70 mm and smaller | A = 4 mm |
| 15.88 mm | A = 5 mm |

- Securely tighten the valve cap with torque in the following table

| Cap | Cap Size (H) | Torque |
|------------------|--------------|---------------------------------|
| Valve Rod Cap | H17 - H19 | 14~18 N.m (1.4 to 1.8 kgf·m) |
| | H22 - H30 | 33~42 N.m (3.3 to 4.2 kgf·m) |
| Service Port Cap | H14 | 8~12 N.m (0.8 to 1.2 kgf·m) |
| | H17 | 14~18 N.m (1.4 to 1.8 kgf·m) |

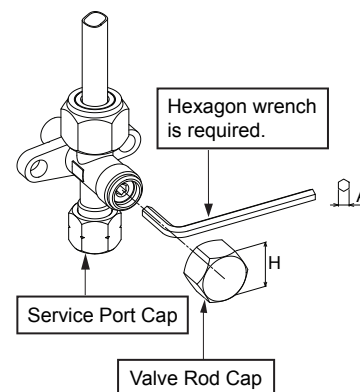


Fig. 10-4-8

10-5. Electrical works

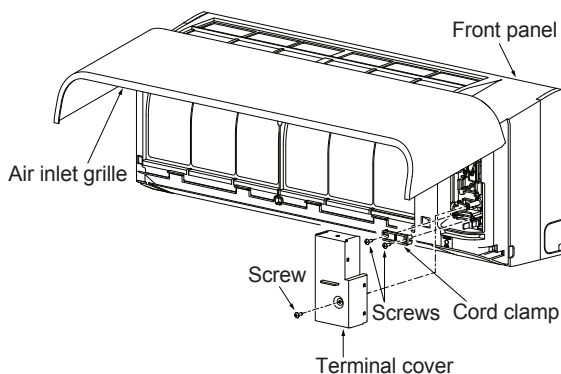
| Model | RAS-B05BKVG-E | RAS-B07BKVG-E | RAS-B10BKVG-E | RAS-B13BKVG-E | RAS-B16BKVG-E |
|-------------------------|--|---------------|---------------|---------------|---------------|
| Power source | 50Hz, 220 – 240 V Single phase | | | | |
| Maximum running current | 5.0A | 5.5A | 7.5A | 8.0A | 10A |
| Circuit breaker rating | 6.5A | 7.0A | 9.5A | 10A | 12.5A |
| Power supply cable | H07RN-F or 60245 IEC66 (1.5 mm ² or more) | | | | |
| Connecting cable | | | | | |

10-5-1. Wiring Connection

<Indoor unit>

Wiring of the connecting cable can be carried out without removing the front panel.

1. Remove the air inlet grille.
Open the air inlet grille upward and pull it toward you.
2. Remove the terminal cover and cord clamp.
3. Insert the connecting cable (according to the local cords) into the pipe hole on the wall.
4. Take out the connecting cable through the cable slot on the rear panel so that it protrudes about 20 cm from the front.
5. Insert the connecting cable fully into the terminal block and secure it tightly with screws.
6. Tightening torque : 1.2 N·m (0.12 kgf·m)
7. Secure the connecting cable with the cord clamp.
8. Fix the terminal cover and air inlet grille on the indoor unit.



<Outdoor unit>

1. Remove the valve cover, the electric parts cover and the cord clamp from the outdoor unit.
2. Connect the connecting cable to the terminal as identified by the matching numbers on the terminal block of indoor and outdoor unit.
3. Insert the power cord and the connecting cable carefully into the terminal block and secure it tightly with screws.
4. Use vinyl tape, etc. to insulate the cords which are not going to be used. Locate them so that they do not touch any electrical or metal parts.
5. Secure the power cord and the connecting cable with the cord clamp.
6. Attach the electric parts cover and the valve cover on the outdoor unit.

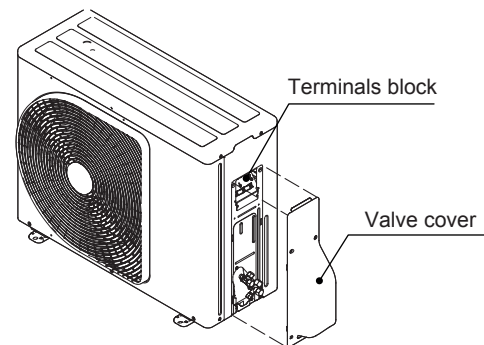


Fig. 10-5-2

<How to install the air inlet grille on the indoor unit>

- When attaching the air inlet grille, the contrary of the removed operation is performed.

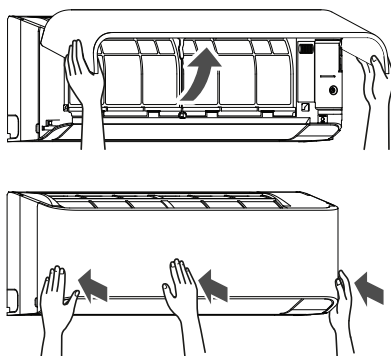
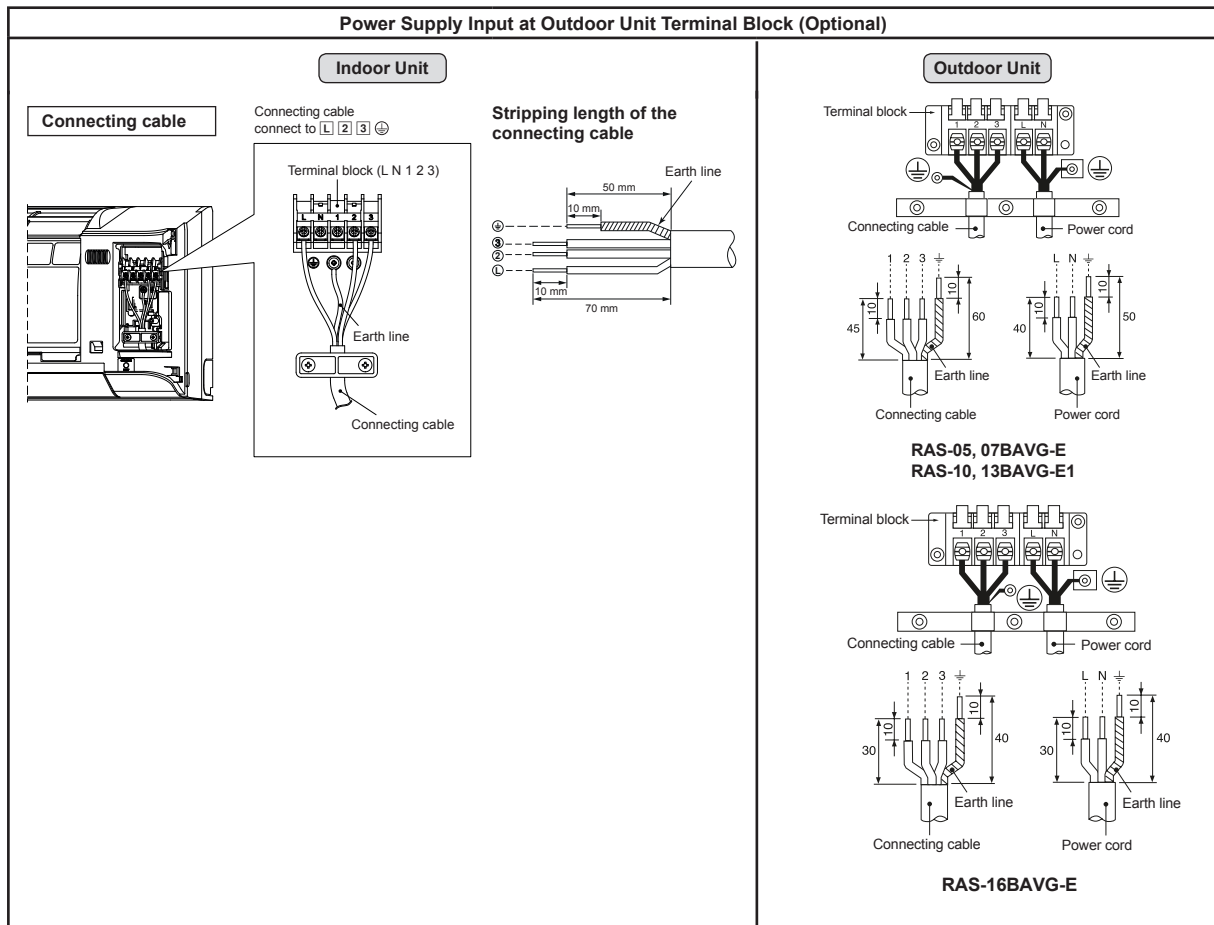
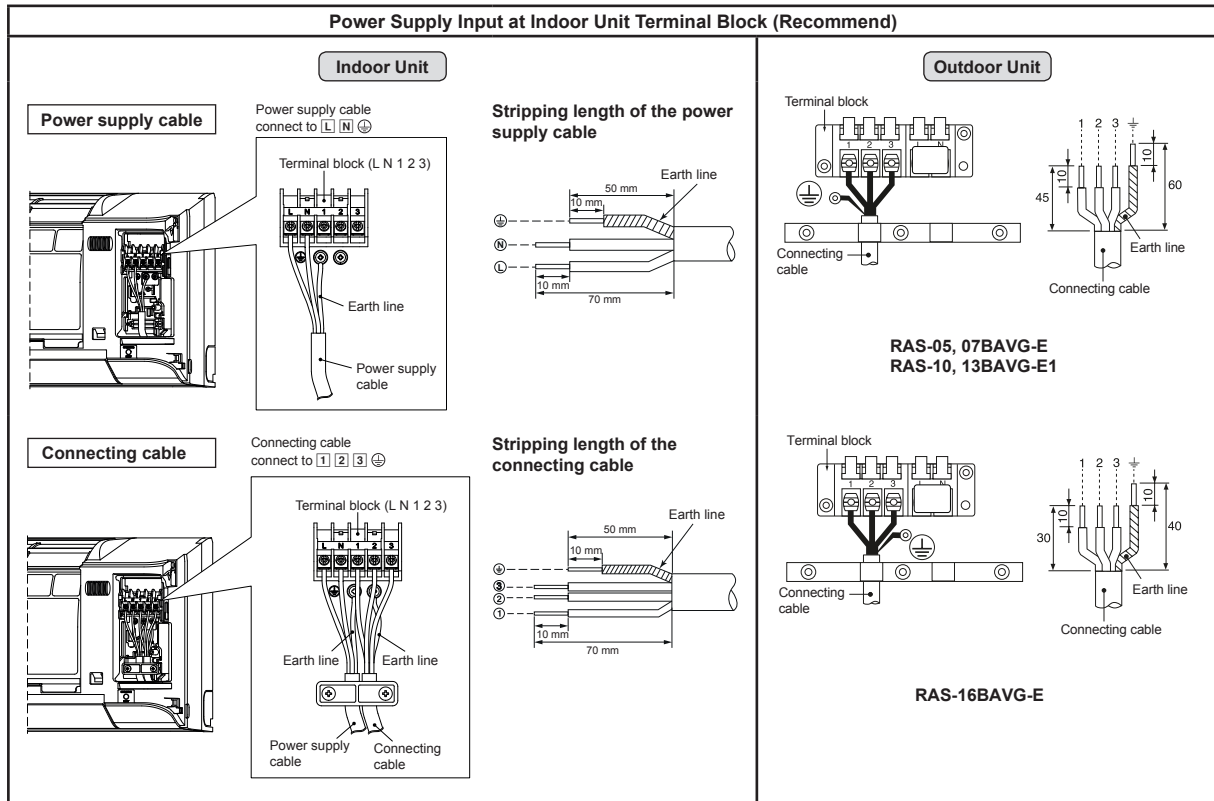


Fig. 10-5-1

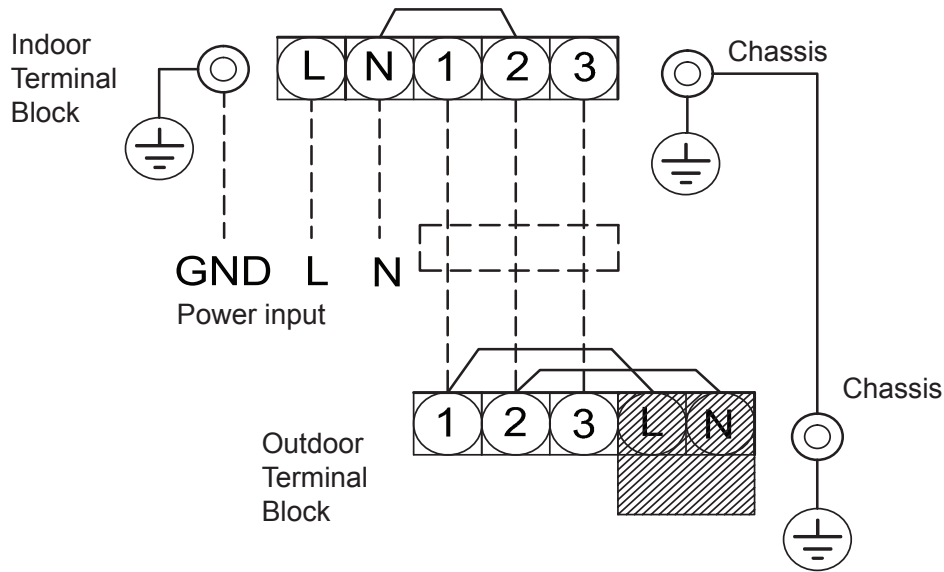
10-5-2. Power Supply and Connecting Cable Connection

In case of Indoor Unit Connect With 1:1 Outdoor Unit

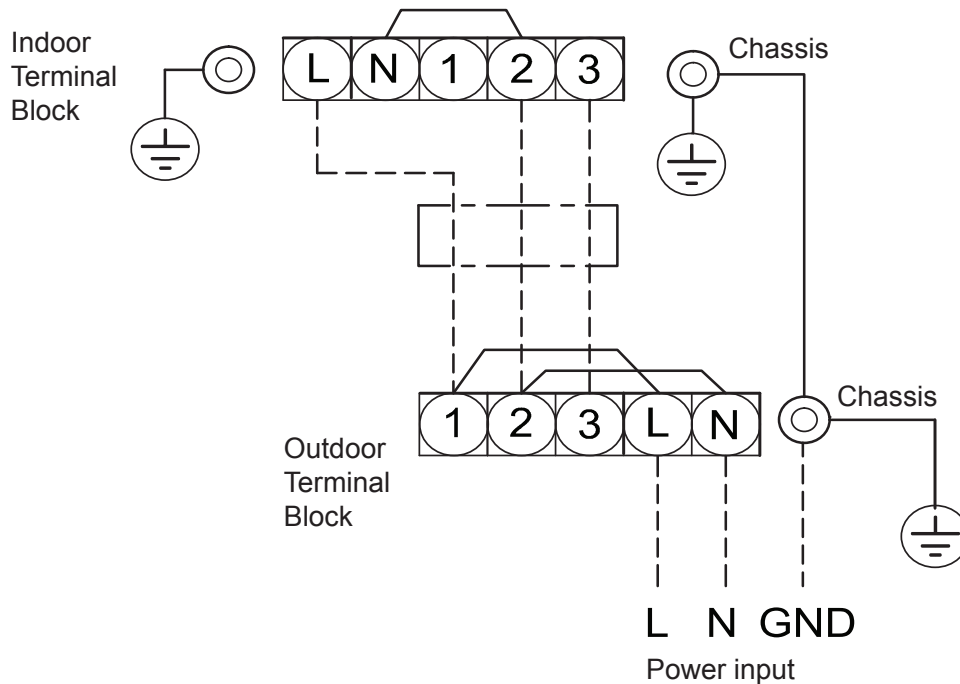


Power supply input wiring diagram for 1:1 Outdoor unit

Power supply input at Indoor unit Terminal Block (Recommend)



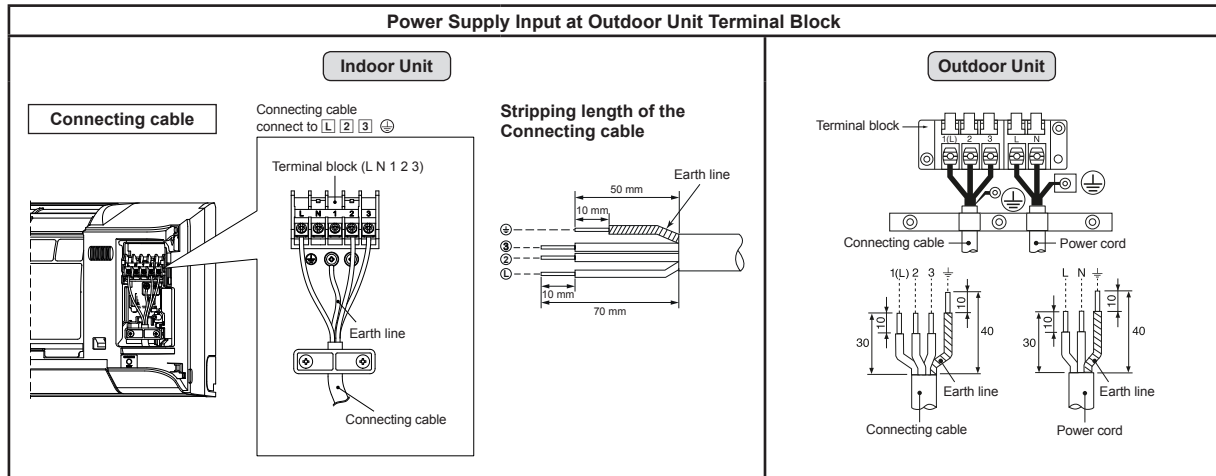
Power input at Outdoor Terminal Block (Optional)



CAUTION

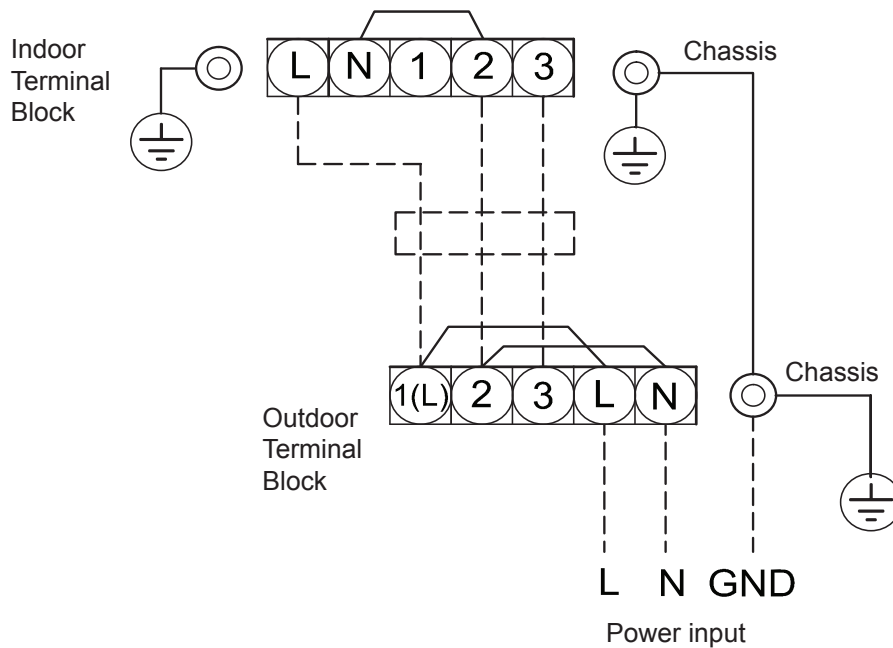
1. The power supply must be same as the rated of air conditioner.
2. Prepare the power source for exclusive use with air conditioner.
3. Circuit breaker must be used for the power supply line of this air conditioner.
4. Be sure to comply power supply and connecting cable for size and wiring method.
5. Every wire must be connected firmly.
6. Perform wiring works so as to allow a general wiring capacity.
7. Wrong wiring connection may cause some electrical part burn out.
8. Incorrect or incomplete wiring is carried out, it will cause an ignition or smoke.
9. This product can be connected to main power supply.
 Connection to fixed wiring : A switch which disconnects all poles and has a contact separation at least 3mm must be incorporated in the fixed wiring.

In Case of Indoor Unit Connect With Inverter Multi System (IMS)



Power supply input Wiring Diagram for Inverter Multi System (IMS)

Power input at Outdoor Terminal Block



CAUTION

1. The power supply must be same as the rated of air conditioner.
2. Prepare the power source for exclusive use with air conditioner.
3. Circuit breaker must be used for the power supply line of this air conditioner.
4. Be sure to comply power supply and connecting cable for size and wiring method.
5. Every wire must be connected firmly.
6. Perform wiring works so as to allow a general wiring capacity.
7. Wrong wiring connection may cause some electrical part burn out.
8. Incorrect or incomplete wiring is carried out, it will cause an ignition or smoke.
9. This product can be connected to main power supply.
Connection to fixed wiring : A switch which disconnects all poles and has a contact separation at least 3mm must be incorporated in the fixed wiring.

10-6. Others

10-6-1. Gas leak test

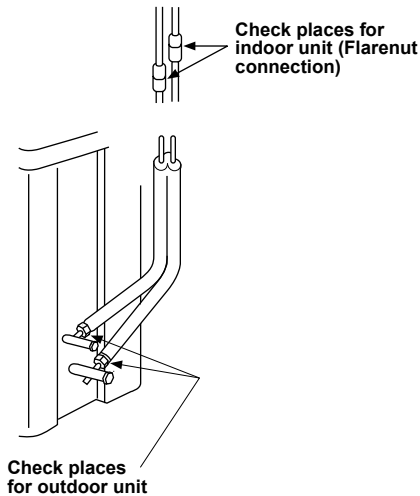


Fig. 10-6-1

- Check the flare nut connections for the gas leak with a gas leak detector or soap water.

10-6-2. Remote Control A-B Selection

- When two indoor units are installed in the same room or adjacent two rooms, if operating a unit, two units may receive the remote control signal simultaneously and operate. In this case, the operation can be preserved by setting either one remote control to B setting. (Both are set to A setting in factory shipment.)
- The remote control signal is not received when the settings of indoor unit and remote control are different.
- There is no relation between A setting/B setting and A room/B room when connecting the piping and cables.

<Remote control A-B selection>

To separate using of remote control for each indoor unit in case of 2 air conditioners are installed nearby.

<Remote Control B Setup>

1. Press [RESET] button on the indoor unit to turn the air conditioner ON.
2. Point the remote control at the indoor unit.
3. Push and hold [CHECK] button on the Remote Control by the tip of the pencil. "00" will be shown on the display (Picture ①).
4. Press [MODE] during pushing [CHECK]. "B" will show on the display and "00" will disappear and the air conditioner will turn OFF. The Remote Control B is memorized (Picture ②).

- NOTE :**
1. Repeat above step to reset Remote Control to be A.
 2. Remote Control A has not "A" display.
 3. Default setting of Remote Control from factory is A.

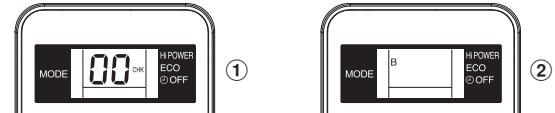


Fig. 10-6-2

10-6-3. Test operation

To switch the TEST RUN (COOL) mode, press [RESET] button for 10 sec. (The beeper will make a short beep.)

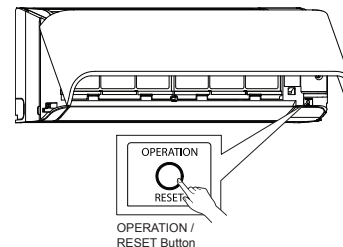


Fig. 10-6-3

10-6-4. Auto restart setting

This product is designed so that, after a power failure, it can restart automatically in the same operating mode as before the power failure.

Information

The product was shipped with Auto Restart function in the off position. Turn it on as required.

<How to set the auto restart>

1. Press and hold the [RESET] button on the indoor unit 3 seconds to set the operation. (3 beep sound and OPERATION lamp blink 5 time/sec for 5 seconds)
2. Press and hold the [RESET] button on the indoor unit for 3 seconds to cancel the operation. (3 beep sound but OPERATION lamp does not blink)
 - In case of ON timer or OFF timer are set, AUTO RESTART OPERATION dose not activate.

11. HOW TO DIAGNOSE THE TROUBLE

The pulse motor circuits are mounted to both indoor and outdoor units. Therefore, diagnose troubles according to the trouble diagnosis procedure as described below. (Refer to the check points in servicing written on the wiring diagrams attached to the indoor/outdoor units.)

Table 11-1

| No. | Troubleshooting Procedure | No. | Troubleshooting Procedure |
|-----|---|-----|--|
| 1 | First Confirmation | 6 | How to Check Simply the Main Parts |
| 2 | Primary Judgment | 7 | Troubleshooting |
| 3 | Judgment by Flashing LED of Indoor Unit | 8 | How to Diagnose Trouble in Outdoor Unit |
| 4 | Self-Diagnosis by Remote Controller | 9 | How to Check Simply the Main Parts |
| 5 | Judgment of Trouble by Every Symptom | 10 | How to Simply Judge Whether Outdoor Fan Motor is Good or Bad |

◆ Precautions when handling the new inverter

⚠ CAUTION: HIGH VOLTAGE

The high voltage circuit is incorporated.

Be careful to do the check service, as the electric shock may be caused in case of touching parts on the P.C. board by hand.

The new inverter will be incorporated starting with this unit.

◆ The control circuitry has an uninsulated construction.

RAS-05, 07BAVG-E

RAS-10, 13BAVG-E1

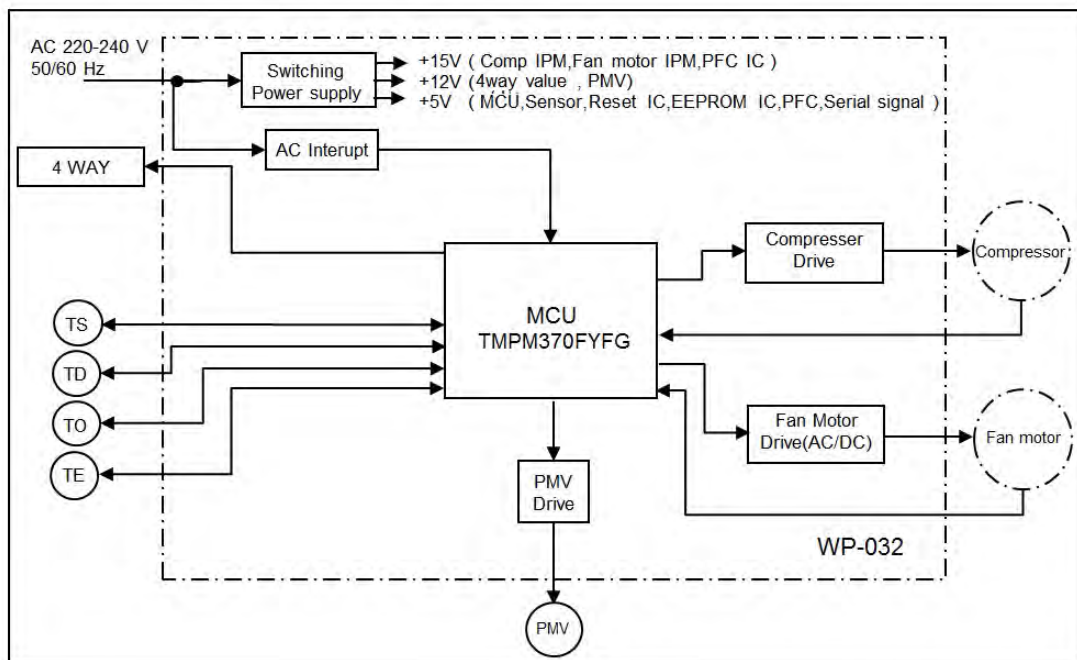


Fig. 11-1

RAS-16BAVG-E

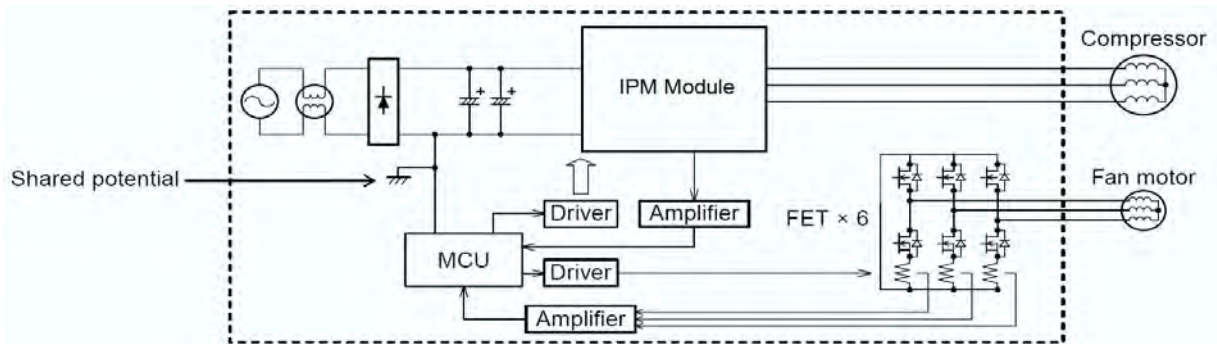


Fig. 11-2

CAUTION

A high voltage (equivalent to the supply voltage) is also energized to ground through the sensors, PMV and other low-voltage circuits. The sensor leads and other wires are covered with insulated tubes for protection. Nevertheless, care must be taken to ensure that these wires are not pinched.

Take sufficient care to avoid directly touching any of the circuit parts without first turning off the power.

At times such as when the circuit board is to be replaced, place the circuit board assembly in a vertical position.

Laying the board flat on an electrically conductive object (such as the top panel of the air conditioner's outdoor unit) while a charge is still retained by the electrolytic capacitors of the inverter's main circuit may cause short-circuiting between the electrolytic capacitors and secondary circuit components and result in damage to the components.



Fig. 11-3
(RAS-05, 07BAVG-E,
RAS-10, 13BAVG-E1)

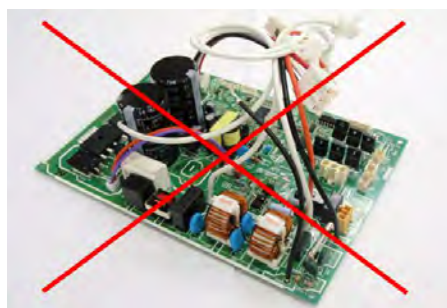


Fig. 11-4
(RAS-16BAVG-E)

Do NOT lay the circuit board assembly flat.

◆ **Precautions when inspecting the control section of the outdoor unit**

NOTE :

A large-capacity electrolytic capacitor is used in the outdoor unit controller (inverter). Therefore, if the power supply is turned off, charge (charging voltage DC280 to 380V) remains and discharging takes a lot of time. After turning off the power source, if touching the charging section before discharging, an electrical shock may be caused. Discharge the electrolytic capacitor completely by using soldering iron, etc.

< Discharging method >

1. Remove the inverter cover (plating) by opening four mounting claws.
2. As shown below, connect the discharge resistance (approx. 100Ω40W) or plug of the soldering iron to voltage between + – terminals of the C07 (“WARNING ELECTRIC SHOCK” is indicated.) electrolytic capacitor (760μF/400V) on P.C. board, and then perform discharging.

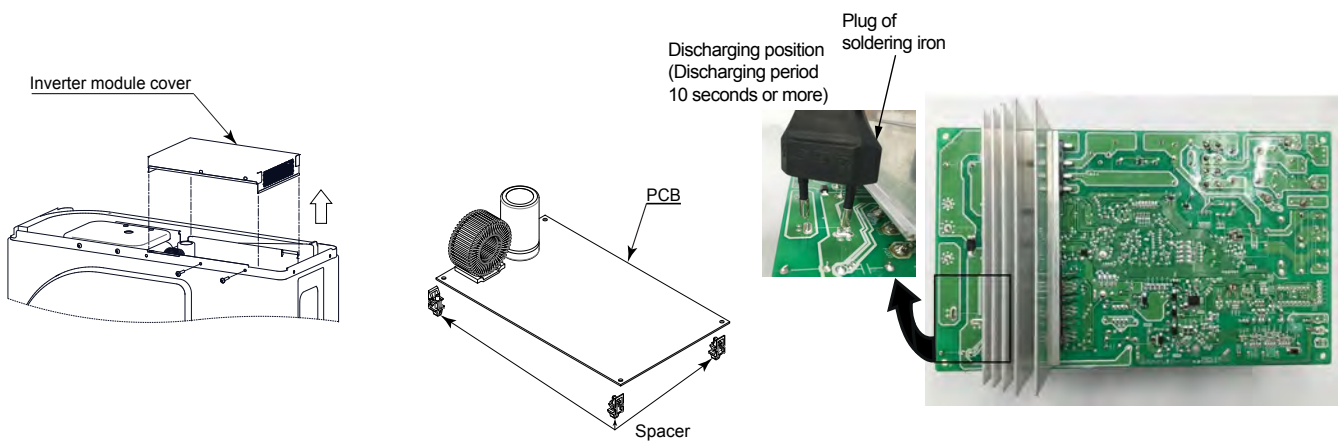


Fig. 11-5 (RAS-05, 07BAVG-E, RAS-10, 13BAVG-E1)

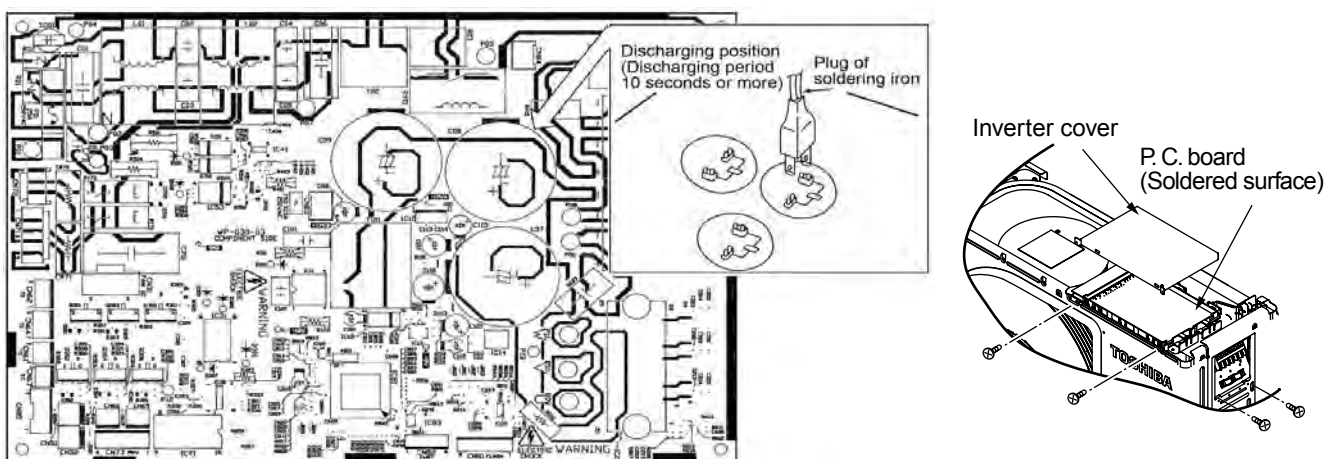


Fig. 11-6 (RAS-16BAVG-E)

11-1. First Confirmation

11-1-1. Confirmation of Power Supply

Confirm that the power breaker operates (ON) normally.

11-1-2. Confirmation of Power Voltage

Confirm that power voltage is AC 220–230–240 ± 10%.

If power voltage is not in this range, the unit may not operate normally.

11-1-3. Operation Which is not a Trouble (Program Operation)

For controlling the air conditioner, the program operations are built in the microcomputer as described in the following table.

If a claim is made for running operation, check whether or not it meets to the contents in the following table.

When it does, we inform you that it is not trouble of equipment, but it is indispensable for controlling and maintaining of air conditioner.

Table 11-1-1

| No. | Operation of air conditioner | Description |
|-----|--|---|
| 1 | When power breaker is turned "ON", the operation indicator (White) of the indoor unit flashes. | The OPERATION lamp of the indoor unit flashes when power source is turned on. If [⏻] button is operated once, flashing stops. (Flashes also in power failure) |
| 2 | Compressor may not operate even if the room temperature is within range of compressor-ON. | The compressor does not operate while compressor restart delay timer (3-minutes timer) operates. The same phenomenon is found after power source has been turned on because 3-minutes timer operates. |
| 3 | In Dry and ECO mode, FAN (air flow) display does not change even though FAN (air flow select) button is operated. | The air flow indication is fixed to [AUTO]. |
| 4 | Increasing of compressor motor speed stops approx. 30 seconds after operation started, and then compressor motor speed increases again approx. 30 seconds after. | For smooth operation of the compressor, the compressor motor speed is restricted to Max. 41 rps for 2 minutes, and Max.91 rps for 2 minutes to 3 minutes, respectively after the operation has started. |
| 5 | In AUTO mode, the operation mode is changed. | After selecting Cool or Heat mode, select an operation mode again if the compressor keeps stop status for 15 minutes. |
| 6 | In HEAT mode, the compressor motor speed does not increase up to the maximum speed or decreases before the temperature arrives at the set temperature. | The compressor motor speed may decrease by high-temp. release control (Release protective operation by temp.-up of the indoor heat exchanger) or current release control. |

11-2. Primary Judgment

To diagnose the troubles, use the following methods.

- 1) Judgment by flashing LED of indoor unit
- 2) Self-diagnosis by service check remote controller
- 3) Judgment of trouble by every symptom

Firstly use the method 1) for diagnosis. Then, use the method 2) or 3) to diagnose the details of troubles.

11-3. Judgment by Flashing LED of Indoor Unit

While the indoor unit monitors the operation status of the air conditioner, if the protective circuit operates, the contents of self-diagnosis are displayed with block on the indoor unit indication section.

Table 11-3-1

| | Item | Check code | Block display | Description for self-diagnosis | | | | | | | | | | | | | | |
|--|------------|------------------------|---|--|-------|------------------------|--------|--------|---------|------------|------|-----------------|--------------------------------------|------|------------|------|------------|-----------|
| <div style="border: 1px solid black; padding: 5px; width: fit-content;">Indoor indication lamp flashes.</div> <p style="text-align: center;">↓</p> <div style="border: 1px solid black; padding: 5px; width: fit-content;">Which lamp does flash?</div> <p style="text-align: center;">↓</p> <div style="border: 1px solid black; padding: 5px; width: fit-content;">C</div> | A | — | OPERATION Flashing display (1 Hz) | Power failure (when power is ON) | | | | | | | | | | | | | | |
| | B | 00 | OPERATION Flashing display (5 Hz) | Protective circuit operation for indoor P.C. board | | | | | | | | | | | | | | |
| | C | 01 | OPERATION TIMER (White) Flashing display (5 Hz) | Protective circuit operation for connecting cable and serial signal system | | | | | | | | | | | | | | |
| | D | 02 | OPERATION Flashing display (5 Hz) | Protective circuit operation for outdoor P.C. board | | | | | | | | | | | | | | |
| | E | 03 | OPERATION TIMER Flashing display (5 Hz) | Protective circuit operation for others (including compressor) | | | | | | | | | | | | | | |
| | F | 33 | <table border="1" style="border-collapse: collapse; width: 100%;"> <tr> <td>OPERATION</td> <td>TIMER</td> <td>Release status display</td> </tr> <tr> <td>Normal</td> <td>Normal</td> <td>Nothing</td> </tr> <tr> <td>Flash 1 Hz</td> <td>None</td> <td>Current release</td> </tr> <tr> <td>Flash 2 Hz 2 times every 1 sec</td> <td>None</td> <td>TD release</td> </tr> <tr> <td>None</td> <td>Flash 1 Hz</td> <td>TCrelease</td> </tr> </table> | OPERATION | TIMER | Release status display | Normal | Normal | Nothing | Flash 1 Hz | None | Current release | Flash 2 Hz 2 times every 1 sec | None | TD release | None | Flash 1 Hz | TCrelease |
| OPERATION | TIMER | Release status display | | | | | | | | | | | | | | | | |
| Normal | Normal | Nothing | | | | | | | | | | | | | | | | |
| Flash 1 Hz | None | Current release | | | | | | | | | | | | | | | | |
| Flash 2 Hz 2 times every 1 sec | None | TD release | | | | | | | | | | | | | | | | |
| None | Flash 1 Hz | TCrelease | | | | | | | | | | | | | | | | |

NOTES :

1. The contents of items B and C and a part of item E are displayed when air conditioner operates.
2. When item B and C, and item B and a part of item E occur concurrently, priority is given to the block of item B.
3. The check codes can be confirmed on the remote controller for servicing.

11-4. Self-Diagnosis by Remote Controller (Check Code)

1. If the lamps are indicated as shown B to E in Table 11-3-1, execute the self-diagnosis by the remote controller.
2. When the remote controller is set to the service mode, the indoor controller diagnoses the operation condition and indicates the information of the self-diagnosis on the display of the remote controller with the check codes. If a fault is detected, all lamps on the indoor unit will flash at 5Hz and it will beep for 10 seconds (Beep, Beep, Beep ...). The timer lamp usually flashes (5Hz) during self-diagnosis.

11-4-1. How to Use Remote Controller in Service Mode

1 Press [CHECK] button with a tip of pencil to set the remote controller to the service mode.

- "00" is indicated on the display of the remote controller.

2 Press [TEMP ▲] or [TEMP ▼] button

If there is no fault with a code, the indoor unit will beep once (Beep) and the display of the remote controller will change as follows :

→ 00 → 01 → 02 ... 1d → 1E → 33 →

- The TIMER indicator of the indoor unit flashes continuously. (5 times per 1 sec.)
- Check the unit with all 52 check codes (00 to 33) as shown in Table-11-4-1.
- Press [TEMP ▲] or [TEMP ▼] button to change the check code backward.

If there is a fault, the indoor unit will beep for 10 seconds (Beep, Beep, Beep...).

Note the check code on the display of the remote controller.

- 2-digits alphanumeric will be indicated on the display.
- All indicators on the indoor unit will flash. (5 times per 1 sec.)

3 Press [CLEAR] button. After service finish for clear service code in memory.

- "7F" is indicated on the display of the remote control.

4 Press [POWER] button to release the service mode.

- The display of the remote controller returns to as it was before service mode was engaged.

Alphanumeric characters are used for the check codes.

| | | | |
|---|-------|---|-------|
| 5 | is 5. | 6 | is 6. |
| A | is A. | b | is B. |
| C | is C. | d | is D. |

Fig. 11-4-1

11-4-2 Caution at Servicing

1. After using the service mode of remote controller finished, press the [⏻] button to reset the remote controller to normal function.
2. After finished the diagnosis by the remote controller, turn OFF power supply and turn its ON again to reset the air conditioner to normal operation. However, the check codes are not deleted from memory of the microcomputer.
3. After servicing finished, press [CLR] button of remote controller under service mode status to send code "7F" to the indoor unit. The check code stored in memory is cleared.

Table 11-4-1

| Block distinction | | Operation of diagnosis function | | | | Action and Judgment |
|-------------------|--------------------|---------------------------------|---|-----------------------------|---------------------------------|--|
| Check code | Block | Check code | Cause of operation | Air conditioner status | Display flashing error | |
| 00 | Indoor P.C. board. | 01 | TA sensor ; The room temperature sensor is short-Circuit or disconnection. | Operation continues. | Flashes when error is detected. | 1. Check the sensor TA and connection. 2. In case of the sensor and its connection is normal, check the P.C. board. |
| | | 02 | TC sensor ; The heat exchanger temperature sensor of the indoor unit is out of place, disconnection, short-circuit or migration. | Operation continues. | Flashes when error is detected. | 1. Check the sensor TC and connection. 2. In case of the sensor and its connection is normal, check the P.C. board. |
| | | 11 | Fan motor of the indoor unit is failure, lock-rotor, short-circuit, disconnection, etc. Or its circuit on P.C. board has problem. | All OFF | Flashes when error is detected. | 1. Check the fan motor and connection. 2. In case of the motor and its connection is normal, check the P.C. board. |
| | | 12 | Other trouble on the indoor P.C. board. | Depend on cause of failure. | Depend on cause of failure. | Replace P.C. board. |

| Block distinction | | Operation of diagnosis function | | | | Action and Judgment |
|-------------------|-------------------------------------|---------------------------------|---|--|--|---|
| Check code | Block | Check code | Cause of operation | Air conditioner status | Display flashing error | |
| 01 | Serial signal and connecting cable. | 04 | 1) Defective wiring of the connecting cable or miss-wiring. 2) Operation signal has not send from the indoor unit when operation start. 3) Outdoor unit has not send return signal to the indoor unit when operation started. 4) Return signal from the outdoor unit is stop during operation. <ul style="list-style-type: none"> • Some protector (hardware, if exist) of the outdoor unit open circuit of signal. • Signal circuit of indoor P.C. board or outdoor P.C. board is failure in some period. | Indoor unit operates continue. Outdoor unit stop. | Flashes when error is detected. Flashing stop and outdoor unit start to operate when the return signal from the outdoor unit is normal. | 1) to 3) The outdoor unit never operate. <ul style="list-style-type: none"> • Check connecting cable and correct if defective wiring. • Check 25A fuse of inverter P.C. board. • Check 3.15A fuse of inverter P.C. board. • Check operation signal of the indoor unit by using diode. Measure voltage at terminal block of the indoor unit between No.2 and No.3 (or L2 and S) If signal is varied 15-60V continuously, replace inverter P.C. board. If signal is not varied, replace indoor P.C. board. 4) The outdoor unit abnormal stop at some time. <ul style="list-style-type: none"> • If the other check codes are found concurrently, check them together. • Check protector (hardware) such as Hi-Pressure switch, Thermal-Relay, etc. • Check refrigerant amount or any possibility case which may caused high temperature or high pressure. • Check operation signal of the indoor unit by using diode. Measure voltage at terminal block of the indoor unit between No.2 and No.3 (or L2 and S) If signal is varied 15-60V continuously, replace inverter P.C. board. If signal is not varied, replace indoor P.C. board. |

Note : Operation signal of the indoor unit shall be measured in the sending period as picture below.

Sending signal of the indoor unit when have not return signal from the outdoor unit.

* Signal send only 1 minute and stop. Because of return signal from outdoor unit has not received.
 ** Signal resend again after 3 minutes stop. And the signal will send continuously.
 *** 1 minute after resending, the indoor unit display flashes error.

| Block distinction | | Operation of diagnosis function | | | | Action and Judgment |
|-------------------|--------------------|---------------------------------|--|------------------------|---|---|
| Check code | Block | Check code | Cause of operation | Air conditioner status | Display flashing error | |
| 02 | Outdoor P.C. board | 14 | Current on inverter circuit is over limit in short time. <ul style="list-style-type: none"> • Inverter P.C. board is failure, IGBT shortage, etc. • Compressor current is higher than limitation, lock rotor, etc. | All OFF | Flashes after error is detected 8 times*. | <ol style="list-style-type: none"> 1. Remove connecting lead wire of the compressor, and operate again. 2. If outdoor fan does not operate or operate but stop after some period, replace the inverter P.C. board. 3. If outdoor fan operates normally, measure 3-Phase output of inverter P.C. board (150-270VAC) at the connecting lead wire of compressor. 4. If 3-Phase output is abnormal, replace inverter P.C.Board. 5. If 3-Phase output is normal, replace compressor. (lock rotor, etc.) |
| | | 15 | Compressor position-detect circuit error or short-circuit between winding of compressor. | All OFF | Flashes after error is detected 8 times*. | <ol style="list-style-type: none"> 1. Remove connecting lead wire of the compressor, and operate again. 2. If outdoor fan does not operate or operation but stop after some period, replace the inverter P.C. board. 3. If outdoor fan operates normally, measure resistance of compressor winding. If circuit is shortage, replace the compressor. |
| | | 17 | Current-detect circuit of inverter P.C. board error. | All OFF | Flashes after error is detected 4 times*. | Even if trying to operate again, all operations stop, replace inverter P.C. board. |
| | | 18 | TE or TS sensor; abnormal. Out of place, disconnection, shortage, or misconnection (TE sensor is connected to TS connector, TS sensor is connected to TE sensor connector) TE sensor; Outdoor heat exchanger temperature sensor TS sensor; Suction pipe temperature sensor | All OFF | Flashes after error is detected 4 times*. | <ol style="list-style-type: none"> 1. Check sensors, TE, TS connection. In case of sensors and it's connection is normal, check the inverter P.C. board 2. Check 4way valve operation/position. In case TE, TS detected temperature relationship are different from normal operation, "18" might be detected. |
| | | 19 | TD sensor ; Discharge pipe temperature sensor is disconnection or shortage. | All OFF | Flashes after error is detected 4 times*. | <ol style="list-style-type: none"> 1. Check sensors TD and connection. 2. In case of the sensor and its connection is normal, check the inverter P.C. board. |
| | | 1A | Outdoor fan failure or its drive-circuit on the inverter P.C. board failure. | All OFF | Flashes after error is detected 8 times*. | <ol style="list-style-type: none"> 1. Check the motor, measure winding resistance, shortage or lock rotor. 2. Check the inverter P.C. board. |
| | | 1b | TO sensor ; The outdoor temperature sensor is disconnection or shortage. | Operation continues. | Record error after detected 4 times*. But does not flash display. | <ol style="list-style-type: none"> 1. Check sensors TO and connection. 2. In case of the sensor and its connection is normal, check the inverter P.C. board. |

| Block distinction | | Operation of diagnosis function | | | | Action and Judgment |
|---|-----------------------------------|---------------------------------|---|--|--|--|
| Check code | Block | Check code | Cause of operation | Air conditioner status | Display flashing error | |
| 02 | Outdoor P.C. board | 11 | Compressor drive output error. (Relation of voltage, current and frequency is abnormal) <ul style="list-style-type: none"> • Overloading operation of compressor caused by over-charge refrigerant, P.M.V. failure, etc. • Compressor failure (High current). | All OFF | Flashes after error is detected 8 times*. | <ol style="list-style-type: none"> 1. Check installation conditions such as packed valve opening, refrigerant amount and power supply (rate $\pm 10\%$, both of operation and non operation condition). 2. Check P.M.V. by measure the resistance of the coil and confirm its operation (sound of initial operation, etc.) 3. Observe any possibility cause which may affect operation load of compressor. 4. Operate again. If compressor operation is failure when 20 seconds passed (count time from operation starting of compressor), replace compressor. |
| <p>* 4 or 8 times ; When first error is detected, error is count as 1 time, then once operation is stop and re-started.</p> <p>After re-starting operation within 6 minutes, if same error is detected, error count is add (count become 2 times)</p> <p>When error count comes 4, 8, 11 or 18 times, record error to check code. But after re-starting operation, if no error is detected and air conditioner can operate more than 6 minutes, error count is cleared.</p> | | | | | | |
| 03 | The others (including compressor) | 07 | Return signal of the outdoor unit has been sent when operation start. But after that, signal is stop some time. <ul style="list-style-type: none"> • Instantaneous power failure. • Some protector (hardware) of the outdoor unit open circuit of signal. • Signal circuit of indoor P.C. board or outdoor P.C. board is failure in some period. | Indoor unit operates continue. Outdoor unit stop. | Flashes when error is detected. Flashing stop and outdoor unit start to operate when the return signal from the outdoor unit is normal. | <ol style="list-style-type: none"> 1. Check power supply (Rate $\pm 10\%$) 2. If the air conditioner repeat operates and stop with interval of approx. 10 to 40 minutes. <ul style="list-style-type: none"> • Check protector (hardware) such as Hi-Pressure switch, Thermal-Relay, etc. • Check refrigerant amount, packed valve opening and any possibility cause which may affect high temperature or high pressure. 3. Check operation signal of the indoor unit by using diode. Measure voltage at terminal block of the indoor unit between No.2 and No.3 (or L2 and S) If signal is varied 15-60V continuously, replace inverter P.C. board. If signal is not varied, replace indoor P.C. board. |

| Block distinction | | Operation of diagnosis function | | | | Action and Judgment |
|-------------------|--------------------------------------|---------------------------------|---|------------------------|---|--|
| Check code | Block | Check code | Cause of operation | Air conditioner status | Display flashing error | |
| 03 | The others (including compressor) | 1d | Compressor does not rotate. Because of missed wiring, missed phase or shortage. | All OFF | Flashes after error is detected 8 times*. | <ol style="list-style-type: none"> 1. Remove connecting lead wire of the compressor, and operate again. 2. If outdoor fan does not operate or operation but stop after some period, replace the inverter P.C. board. 3. If outdoor fan operates normally, measure 3-Phase output of inverter P.C. board (150-270VAC) at the connecting lead wire of compressor. 4. If 3-Phase output is abnormal, replace inverter P.C.Board. 5. If 3-Phase output is normal, measure resistance of compressor winding. 6. If winding is shortage, replace the compressor. |
| | | 1E | Discharge temperature exceeded 117°C. | All OFF | Flashes after error is detected 4 times*. | <ol style="list-style-type: none"> 1. Check sensors TD. 2. Check refrigerant amount. 3. Check P.M.V. by measure the resistance of the coil and confirm its operation (sound of initial operation, etc.) 4. Observe any possibility cause which may affect high temperature of compressor. |
| | | 1F | Compressor is high current though operation Hz is decreased to minimum limit. <ul style="list-style-type: none"> • Installation problem. • Instantaneous power failure. • Refrigeration cycle problem. • Compressor break down. • Compressor failure (High current).operation, etc.) | All OFF | Flashes after error is detected 8 times*. | <ol style="list-style-type: none"> 1. Check installation conditions such as packed valve opening, refrigerant amount and power supply (rate $\pm 10\%$, both of operation and non operation condition). 2. Check P.M.V. by measure the resistance of the coil and confirm its operation (sound of initial operation, etc.) 3. Observe any possibility cause which may affect high current of compressor. 4. If 1, 2 and 3 are normal, replace compressor. |

| Block distinction | | Operation of diagnosis function | | | | Action and Judgment |
|---|--------------------------------------|---------------------------------|--|--|---|--|
| Check code | Block | Check code | Cause of operation | Air conditioner status | Display flashing error | |
| 03 | The others (including compressor) | 21 | <p>Return signal of the outdoor unit has been sent when operation start. But after that, signal is stop some time.</p> <ul style="list-style-type: none"> Instantaneous power failure. Some protector (hardware) of the outdoor unit open circuit of signal. Signal circuit of indoor P.C. board or outdoor P.C. board is failure in some period. TE, TC high temperature TE for cooling operation TC for heating operation. | Indoor unit operates continue. Outdoor unit stop. | <p>Flashes when error is detected 11 times*.</p> <p>Flashing stop and outdoor unit start to operate when the return signal from the outdoor unit is normal.</p> | <ol style="list-style-type: none"> Check power supply (Rate $\pm 10\%$) If the air conditioner repeat operate and stop with interval of approx. 10 to 40 minutes. <ul style="list-style-type: none"> Check protector (hardware) such as Hi-Pressure switch, Thermal-Relay, etc. Check refrigerant amount, packed valve opening and any possibility cause which may affect high temperature or high pressure. Check operation signal of the indoor unit by using diode. Measure voltage at terminal block of the indoor unit between No.2 and No.3 (or L2 and S) If signal is varied 15-60V continuously, replace inverter P.C. board. If signal is not varied, replace indoor P.C. board. Check and clean heat exchanger area Indoor and Outdoor unit. |
| <p>* 4, 8 or 11 times ; When first error is detected, error is count as 1 time, then once operation is stop and re-started.</p> <p>After re-starting operation within 6 minutes, if same error is detected, error count is add (count become 2 times)</p> <p>When error count comes 4, 8, 11 or 18 times, record error to check code. But after re-starting operation, if no error is detected and air conditioner can operate more than 6 minutes, error count is cleared.</p> | | | | | | |

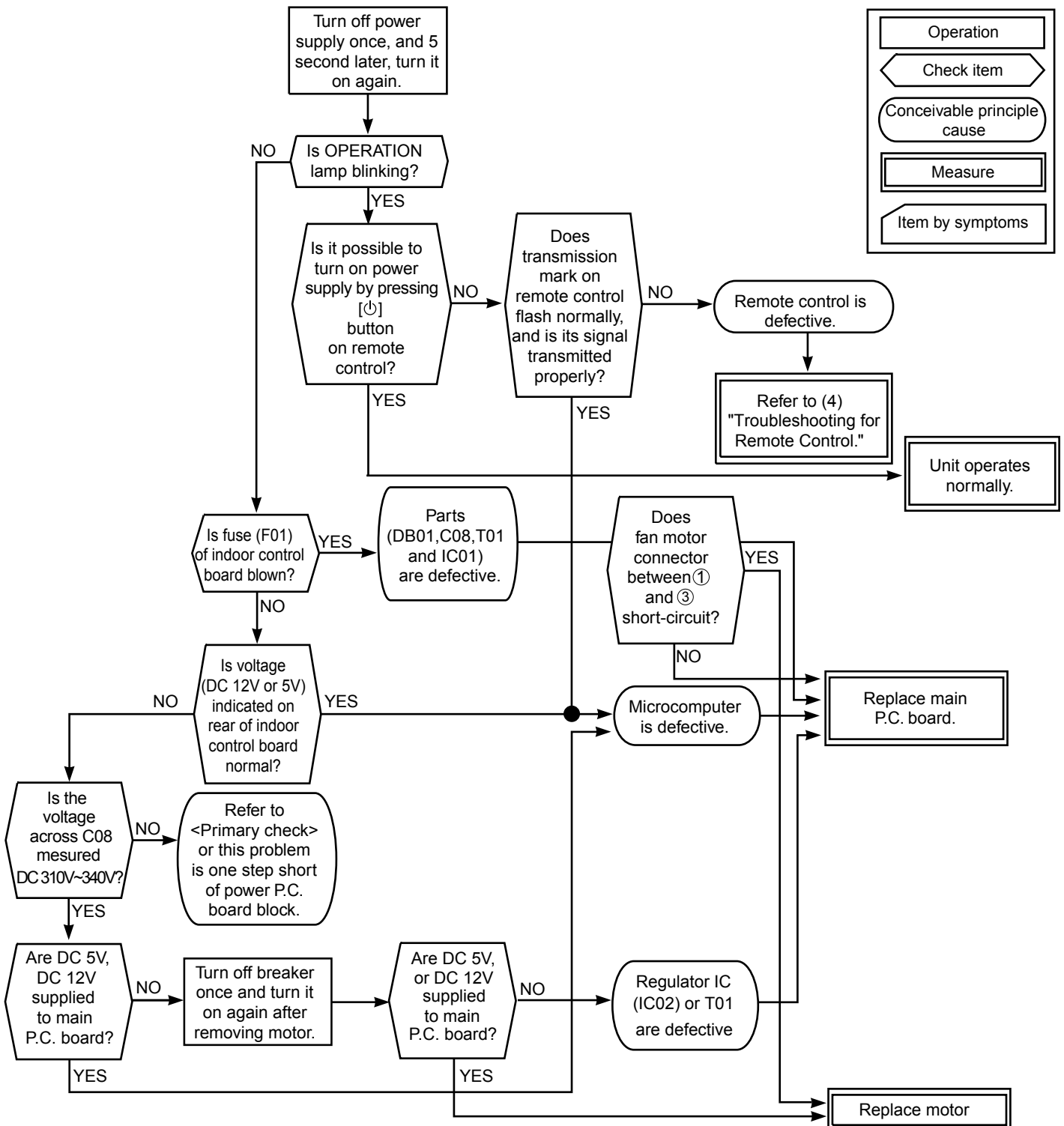
11-5. Judgment of Trouble by Every Symptom

11-5-1. Indoor Unit (Including Remote Controller)

(1) Power is not turned on (Does not operate entirely)

<Primary check>

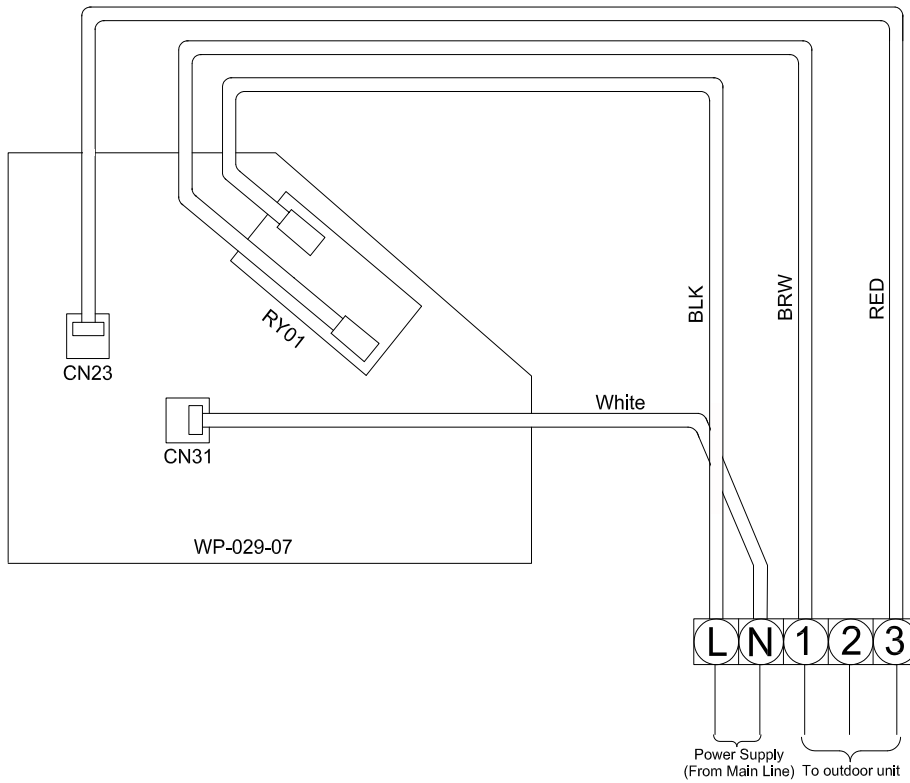
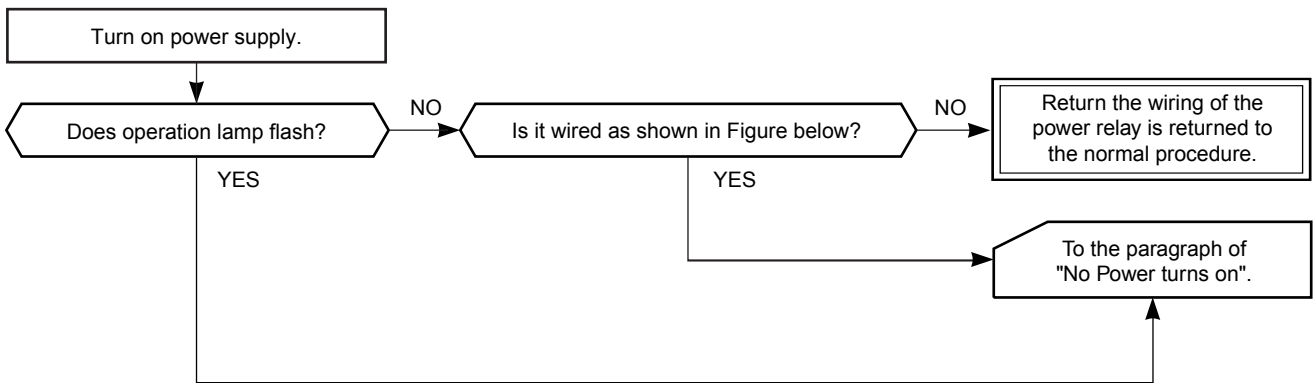
1. Is the supply voltage normal?
2. Is the normal voltage provided to the outdoor unit?
3. Is the crossover cable connected properly?
4. Is the fuse (F01) blown?



• Be sure to disconnect the motor connector CN10 after shut off the power supply, or it will be a cause of damage of the motor.

(2) Power is not turned on though Indoor P.C. board is replaced

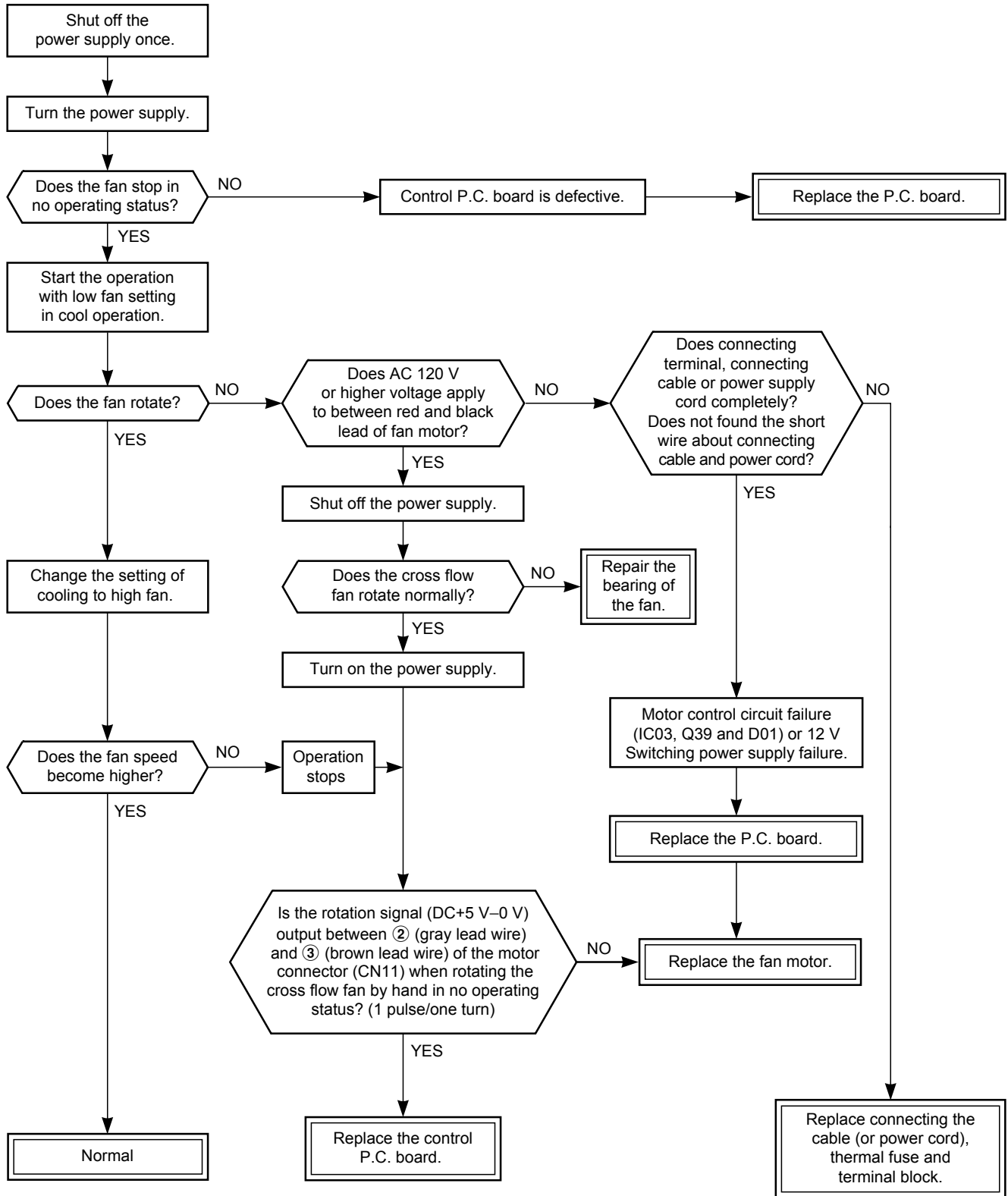
<Confirmation procedure>



(3) Only the indoor motor fan does not operate

<Primary check>

1. Is it possible to detect the power supply voltage (AC220–240V) between ① and ② on the terminal block?
2. Does the indoor fan motor operate in cooling operation?
(In heating operation, the indoor fan motor does not operate for approximately 10 minutes after it is turned on, to prevent a cold air from blowing in.)



(For AC fan motor)

<Inspection procedure>

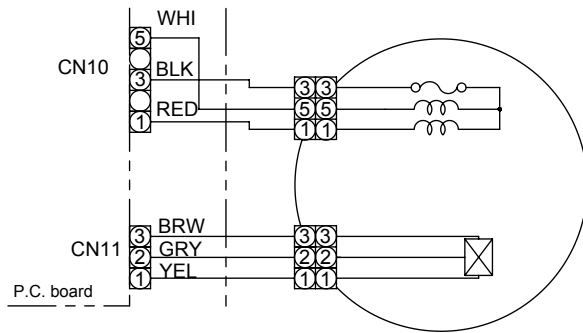
1. Remove the front panel. (Remove 2 screws.)
2. Remove the cover of the fan motor lead wires.
3. Check AC voltage with CN10 connector while the fan motor is rotating.

NOTE :

- Using a tester, measure the resistance value of each winding coil.
- Use a thin test rod.

SJM-240-25 (RAS-B05, 07, 10,
13) SJM-240-35 (RAS-B16)

- Do not disconnect the connector while the fan motor is rotating.
- For P.C. board side, proceed to the item "Only indoor fan does not operate" of "Judgment of Trouble by Every Symptom".

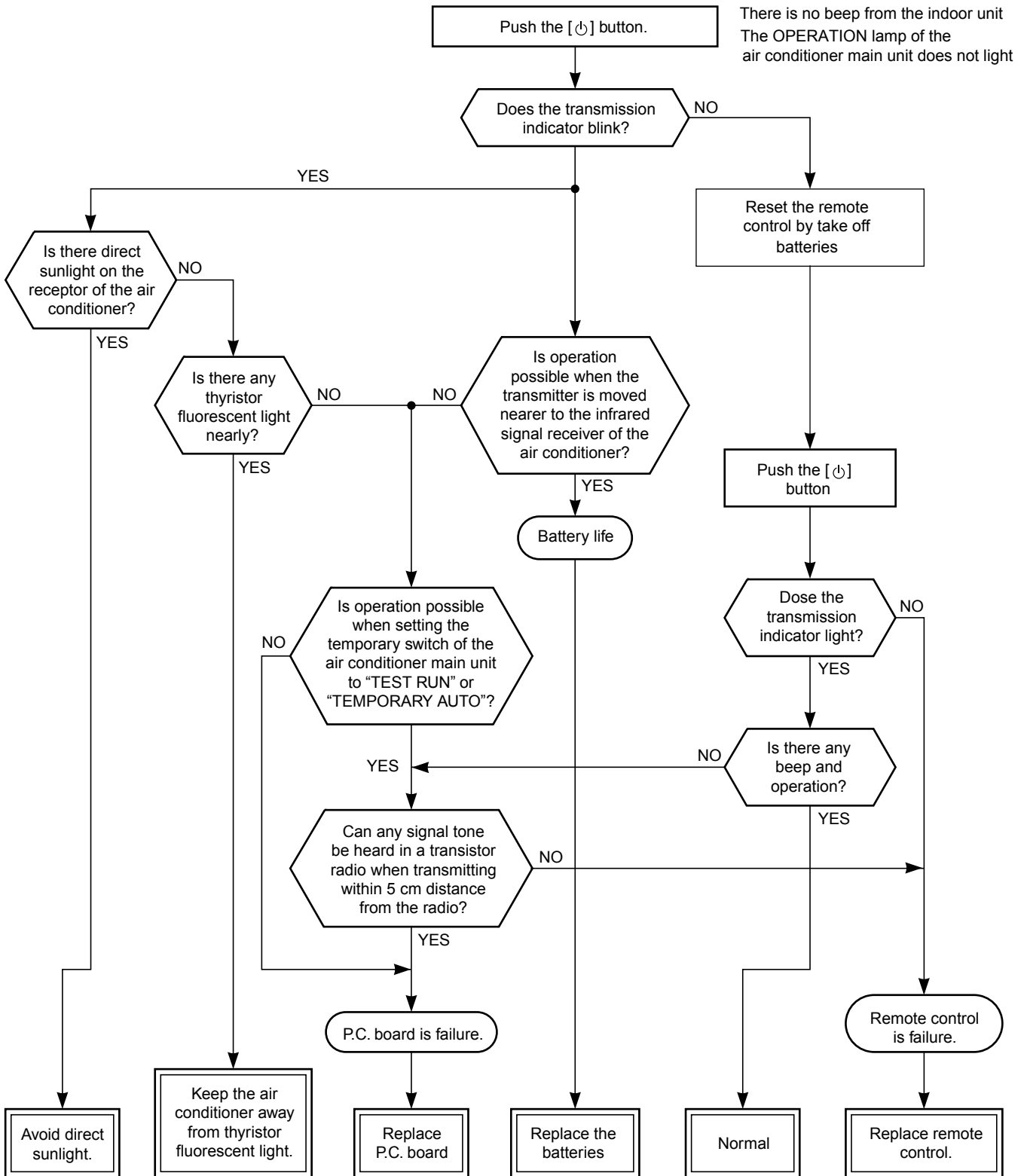


| Position (P.C. board) | Resistance value (RAS-B05, 07, 10, 13) | Resistance value (RAS-B16) |
|-------------------------------|--|----------------------------|
| Between ③ (Black) - ① (Red) | 120.6 ± 8.4 Ω | 115.6 ± 8. Ω |
| Between ③ (Black) - ⑤ (White) | 244.2 ± 17 Ω | 146.2 ± 10.2 Ω |
| Between ① (Red) - ⑤ (White) | 364.8 ± 25.5 Ω | 261.8 ± 18.3 Ω |

(4) Troubleshooting for remote controller

<Primary check>

Check that A or B selected on the main unit is matched with A or B selected on the remote controller.



11-5-2. Wiring Failure (Interconnecting and Serial Signal Wire)

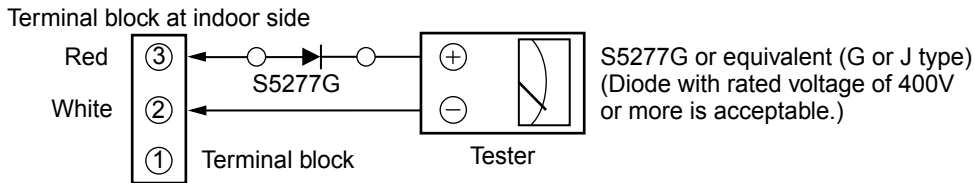
(1) Outdoor unit does not operate

1) Is the voltage between ② and ③ of the indoor terminal block varied?

Confirm that transmission from indoor unit to outdoor unit is correctly performed based upon the following diagram.

NOTE:

- Measurement should be performed 2 minutes and 30 seconds after starting of the operation.
- Be sure to prepare a diode for judgment.



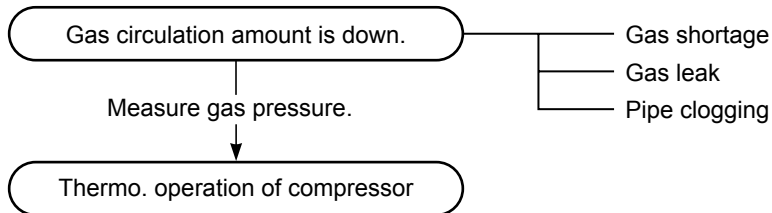
Normal time : Voltage swings between DC15 and 60V. Inverter Assembly check (11-7-1.)

Abnormal time : Voltage does not vary.

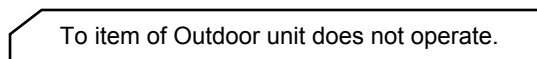
(2) Outdoor unit stops in a little while after operation started

<Check procedure> Select phenomena described below.

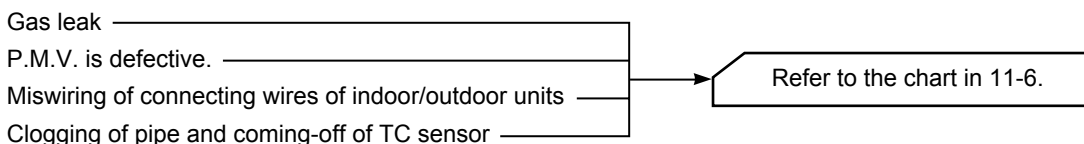
1) The outdoor unit stops 10 to 20 minutes after operation started, and 10 minutes or more are required to restart the unit.



2) If the unit stops once, it does not operate until the power will be turned on again.

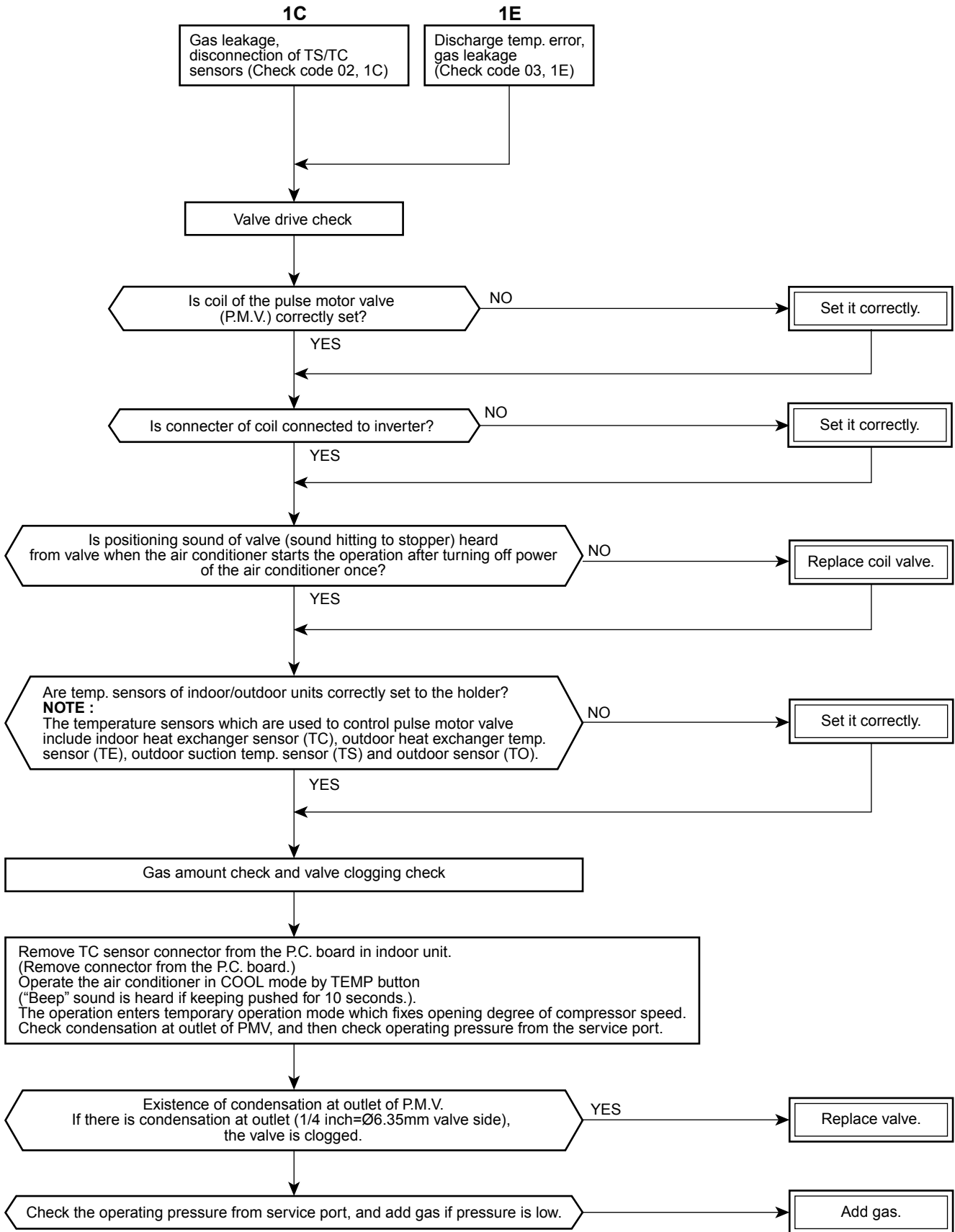


3) The outdoor unit stops 10 minutes to 1 hour after operation started, and an alarm is displayed. (Discharge temp. error check code 03, 1E Sensor temp. error check code 02, 1C)



11-6. How to Check Simple the Main Parts

<Check procedure>



11-7. How to Diagnose Trouble in Outdoor Unit

11-7-1. Summarized Inner Diagnosis of Inverter Assembly

(RAS-B05, 07, 10, 13)

Table 11-7-1

| Diagnosis/Process flowchart | Item | Contents | Summary |
|--|--|---|---|
| <pre> graph TD Start([Remove connector of compressor.]) --> CheckFuse{{Check 15A fuse (Part No.F01).}} CheckFuse -- NG --> ReplaceFuse[Replace fuse.] ReplaceFuse --> CheckDB01{{Check electrolytic capacitor, diode block (DB01), etc.}} CheckFuse -- OK --> CheckVoltage{{Check terminal voltage of electrolytic capacitor.}} CheckDB01 -.-> CheckVoltage CheckVoltage -- NG --> CheckDB01_2{{Check electrolytic capacitor, diode (DB01), etc.}} CheckDB01_2 -.-> CheckVoltage CheckVoltage -- OK --> FanRotate{{Does outdoor fan rotate?}} FanRotate -- YES --> A((A)) FanRotate -- NO --> CheckCN31{{Remove connector CN31 of outdoor fan motor, and using a tester, check resistance value between every phases at motor side.}} CheckCN31 -- NG --> ReplaceMotor[Replace outdoor fan motor.] CheckCN31 -- OK --> B((B)) </pre> | <p>Preparation</p> <p>Check</p> <p>Check</p> <p>Operation</p> <p>Measurement</p> <p>Check</p> <p>Stop</p> <p>Check Measurement</p> | <p>Turn "OFF" the power supply breaker, and remove 3P connector which connects inverter and compressor.</p> <ul style="list-style-type: none"> Check whether 15A fuse on the control board assembly is blown or not.(F01) <p>Turn on the power breaker, and operate the air conditioner in COOL mode by time shortening.</p> <p>Measure terminal voltage of the electrolytic capacity.</p> <p style="text-align: center;">760μF:450V</p> <p>After operation, turn off the power breaker after 2 minutes 20 seconds passed, and discharge the electrolytic capacitor by soldering iron.</p> <p>Check voltage between motor phases.</p> <ul style="list-style-type: none"> Is not winding between ①-②, ②-③, or ①-③ opened or short-circuited? Is not frame grounded with ①, ②, or ③? | <p>If fuse was blown, be sure to check the electrolytic capacitor and diode block. (DB01)</p> <ul style="list-style-type: none"> Connect discharge resistance (approx. 100Ω, 40W) or soldering iron (plug) between +, - terminals of the electrolytic capacitor (760μF) of C07 (with printed WARNING ELECTRIC SHOCK) on P.C. board. <p>Discharging position (Discharging period 10 seconds or more)</p> <p>OK if 760μF → DC290 to 400V</p> <p>Remove CN31 while pushing the part indicated by an arrow because CN31 is a connector with lock.</p> <p>→ Resistance between phases should be approx. 16 to 51Ω</p> <p>→ Should be 100MΩ or more.</p> |

(RAS-B16)

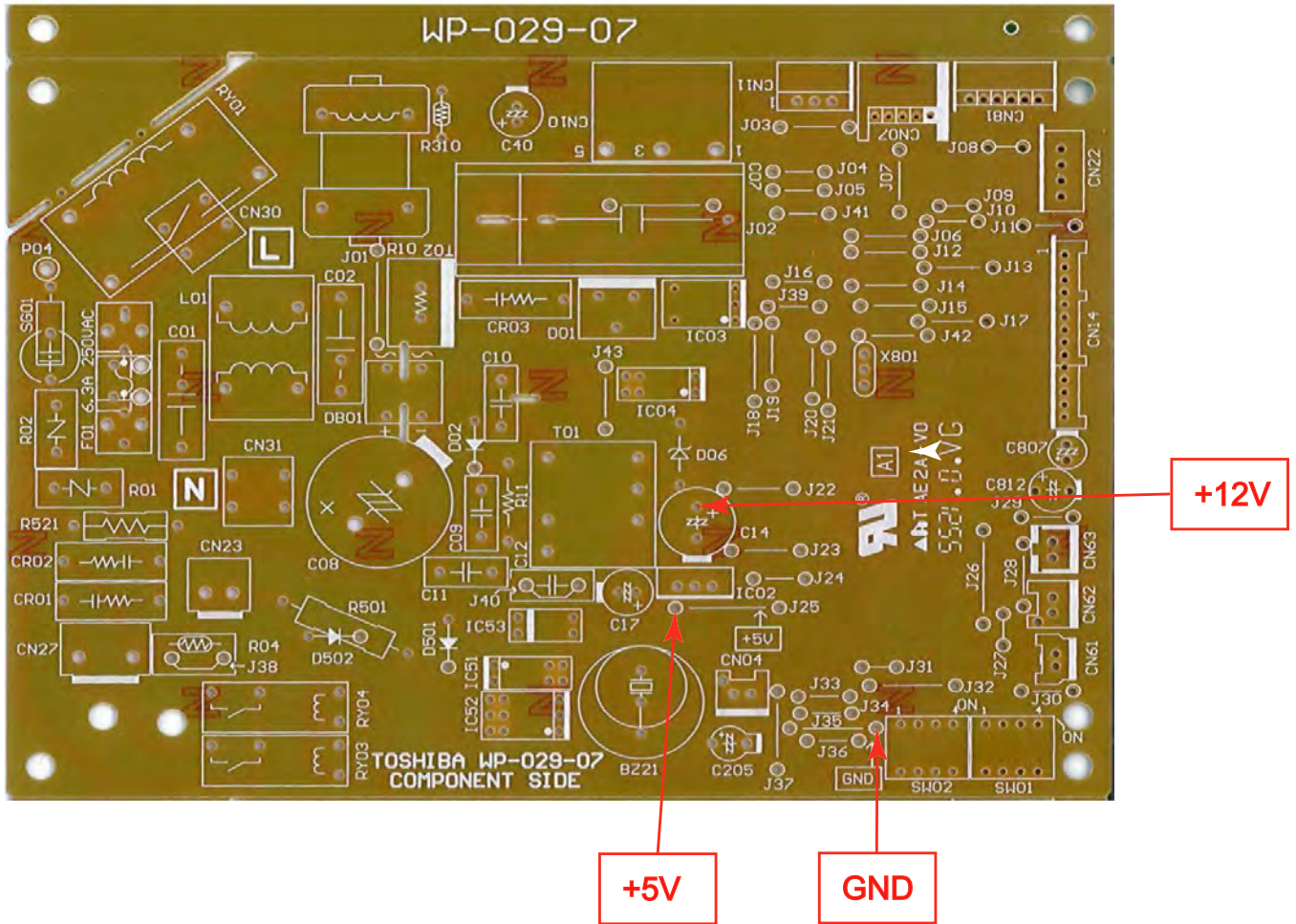
| Diagnosis/Process flowchart | Item | Contents | Summary |
|-----------------------------|--|--|---|
| | <p>Preparation</p> <p>Check</p> <p>Check</p> <p>Operation</p> <p>Measurement</p> <p>Check</p> <p>Stop</p> <p>Check Measurement</p> | <p>Turn "OFF" the power supply breaker, and remove 3P connector which connects inverter and compressor.</p> <ul style="list-style-type: none"> • Check whether 25A fuse on the control board assembly is blown or not. (F01) <p>Turn on the power breaker, and operate the air conditioner in COOL mode by time shortening.</p> <p>Measure terminal voltage of the electrolytic capacity.</p> <div style="border: 1px solid black; padding: 2px; width: fit-content; margin: 5px auto;">760μF:400V x 2</div> <p>After operation, turn off the power breaker after 2 minutes 20 seconds passed, and discharge the electrolytic capacitor by soldering iron.</p> <p>Check voltage between motor phases.</p> <ul style="list-style-type: none"> • Is not winding between ①-②, ②-③, or ①-③ opened or short-circuited? • Is not frame grounded with ①, ②, or ③? | <p>If fuse was blown, be sure to check the electrolytic capacitor and diode block. (DB01)</p> <ul style="list-style-type: none"> • Connect discharge resistance (approx. 100Ω, 40W) or soldering iron (plug) between +, - terminals of the electrolytic capacitor (760μF) of C07 (with printed WARNING ELECTRIC SHOCK) on P.C. board. <p>OK if 760μF → DC280 to 380V</p> <p>Remove CN31 while pushing the part indicated by an arrow because CN31 is a connector with lock.</p> <p>→ Resistance between phases should be approx. 16 to 51Ω</p> <p>→ Should be 100MΩ or more.</p> |

(3) Check procedures

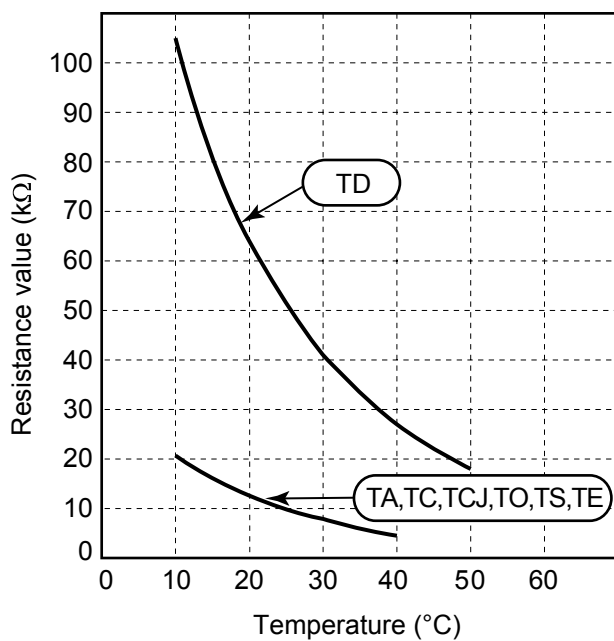
Table 11-8-1

| No. | Procedure | Check points | Causes |
|-----|--|--|--|
| 1 | Turn off the power supply breaker and remove the P.C. board assembly from electronic parts base. Remove the connecting cables from the terminal block. | Check whether or not the fuse (F01) is blown. | Impulse voltage was applied or the indoor fan motor short-circuited. |
| 2 | Remove the connector of the motor and turn on the power supply breaker. If OPERATION indicator flashes (once per second), it is not necessary to check steps (1 to 3) in the right next column. | Check power supply voltage : 1. Between CN30 and CN31 (AC 220–240V) 2. Between ⊕ and ⊖ of C08 (DC 310–340V) 3. Between 12V and GND 4. Between 5V and GND | 1. The terminal block or the crossover cable is connected wrongly. 2. The capacitor (C01), line filter (L01), resistor (R10), or the diode (DB01) is defective. 3. T01 is defective. 4. IC02 and T01 are defective. |
| 3 | Push [⏻] button once to start the unit. (Do not set the mode to On-Timer operation.) | Check power supply voltage : 1. Between CN23 and CN31 (DC 15–60V) | IC51 and IC52 are defective. |
| 4 | Shorten the restart delay timer and start unit. | Check whether or not all indicators (OPERATION, TIMER) are lit for 3 seconds and they return to normal 3 seconds later. | The indicators are defective or the housing assembly (CN14) is defective. |
| 5 | Push [⏻] button once to start the unit. • Shorten the restart delay timer. • Set the operation mode to COOL. • Set the fan speed level to AUTO. • Set the preset temperature much lower than the room temperature. (The unit (compressor) operates continuously in the above condition.) | 1. Check whether or not the compressor operates. 2. Check whether or not the OPERATION indicator flashes. | 1. The temperature of the indoor heat exchanger is extremely low. 2. The connection of the heat exchanger sensor is loose. (The connector is disconnected.) (CN62) 3. The heat exchanger sensor and the P.C. board are defective. (Refer to Table 11-4-1.) 4. The main P.C. board is defective. |
| 6 | If the above condition (No. 5) still continues, start the unit in the following condition. • Set the operation mode to HEAT. • Set the preset temperature much higher than room temperature. | 1. Check whether or not the compressor operates. 2. Check whether or not the OPERATION indicator flashes. | 1. The temperature of the indoor heat exchanger is extremely high. 2. The connection of the heat exchanger sensor short-circuited. (CN62) 3. The heat exchanger sensor and the P.C. board are defective. (Refer to Table 11-4-1.) 4. The main P.C. board is defective |
| 7 | Connect the motor connector to the motor and turn on the power supply. Start the unit the following condition. • Set the fan speed level to HIGH. (The unit (compressor) operates continuously in the above condition in No. 5.) | 1. Check it is impossible to detect the voltage (AC120V or higher voltage) between red and black lead of the motor. 2. The motor does not operate or the fan motor does not rotate with high speed. (But it is possible to receive the signal from the remote controller.) 3. The motor rotates but vibrates strongly. | 1. The indoor fan motor is defective. (Protected operation of P.C. board.) 2. The P.C. board is defective. 3. The connection of the motor connector is loose. |

11-8-2. P .C . Board Layout

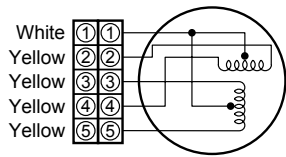


[1] Sensor characteristic table

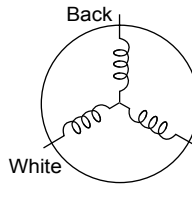
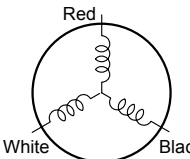
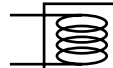
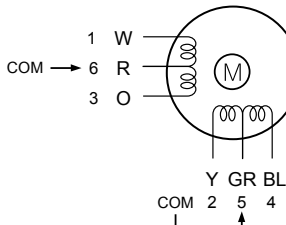


- TD : Discharge temp. sensor
- TA : Room temp. sensor
- TC,TCJ : Heat exchanger temp. sensor
- TO : Outdoor temp. sensor
- TS : Suction temp. sensor
- TE : Outdoor heat exchanger temp sensor

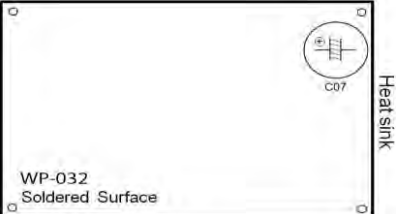
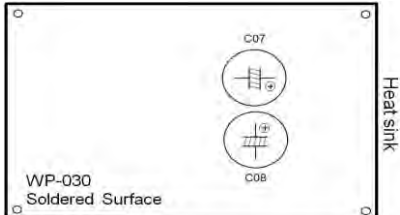
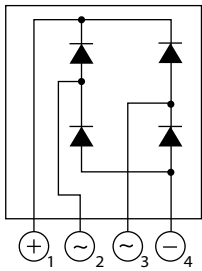
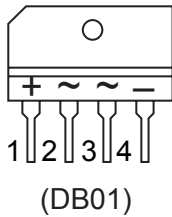
11-8-3. Indoor Unit (Other Parts)

| No. | Part name | Checking procedure | | | | | | | | | | | | | | | | | | | | | |
|------------------|--|---|-------------|------------------|--------|-----------|--------|--------|--------|--------|--|--|--|--|--|--|------------------|--|------|------|------|-----|-----|
| 1 | Room temp. (TA) sensor Heat exchanger (TC,TCJ) sensor | Disconnect the connector and measure the resistance value with tester. (Normal temp.) <table border="1"> <thead> <tr> <th colspan="2">Temperature</th> <th>10°C</th> <th>20°C</th> <th>25°C</th> <th>30°C</th> <th>40°C</th> </tr> <tr> <th>Sensor</th> <th></th> <td></td> <td></td> <td></td> <td></td> <td></td> </tr> </thead> <tbody> <tr> <td>TA, TC, TCJ (kΩ)</td> <td></td> <td>20.7</td> <td>12.6</td> <td>10.0</td> <td>7.9</td> <td>4.5</td> </tr> </tbody> </table> | Temperature | | 10°C | 20°C | 25°C | 30°C | 40°C | Sensor | | | | | | | TA, TC, TCJ (kΩ) | | 20.7 | 12.6 | 10.0 | 7.9 | 4.5 |
| Temperature | | 10°C | 20°C | 25°C | 30°C | 40°C | | | | | | | | | | | | | | | | | |
| Sensor | | | | | | | | | | | | | | | | | | | | | | | |
| TA, TC, TCJ (kΩ) | | 20.7 | 12.6 | 10.0 | 7.9 | 4.5 | | | | | | | | | | | | | | | | | |
| 2 | Remote controller | Refer to 11-5-1. (5). | | | | | | | | | | | | | | | | | | | | | |
| 3 | Louver motor 24BYJ48-A-080 | Measure the resistance value of each winding coil by using the tester. (Under normal temp. 25°C)  <table border="1"> <thead> <tr> <th>Position</th> <th>Resistance value</th> </tr> </thead> <tbody> <tr> <td>1 to 2</td> <td rowspan="5">200Ω ± 7%</td> </tr> <tr> <td>1 to 3</td> </tr> <tr> <td>1 to 4</td> </tr> <tr> <td>1 to 5</td> </tr> <tr> <td></td> </tr> </tbody> </table> <p style="text-align: right;">at 25°C</p> | Position | Resistance value | 1 to 2 | 200Ω ± 7% | 1 to 3 | 1 to 4 | 1 to 5 | | | | | | | | | | | | | | |
| Position | Resistance value | | | | | | | | | | | | | | | | | | | | | | |
| 1 to 2 | 200Ω ± 7% | | | | | | | | | | | | | | | | | | | | | | |
| 1 to 3 | | | | | | | | | | | | | | | | | | | | | | | |
| 1 to 4 | | | | | | | | | | | | | | | | | | | | | | | |
| 1 to 5 | | | | | | | | | | | | | | | | | | | | | | | |
| | | | | | | | | | | | | | | | | | | | | | | | |
| 4 | Indoor fan motor | Refer to 11-5-1. (3) and (4). | | | | | | | | | | | | | | | | | | | | | |

11-8-4. OutdoorUnit

| 1 | Compressor RAS-05, 07BAVG-E Model : NX66F0F-20D RAS-10, 13BAVG-E1 Model : KSK89D53UEZ RAS-16BAVG-E Model : KSN108D22UFZ | Measure the resistance value of each winding by using the tester.  <table border="1"> <thead> <tr> <th rowspan="2">Position</th> <th colspan="3">Resistance value</th> </tr> <tr> <th>NX66F0F-20D</th> <th>KSK89D53UEZ</th> <th>KSN108D22UFZ</th> </tr> </thead> <tbody> <tr> <td>Red - White</td> <td rowspan="3">3.19Ω</td> <td rowspan="3">2.35Ω</td> <td rowspan="3">1.57Ω</td> </tr> <tr> <td>White - Black</td> </tr> <tr> <td>Black - Red</td> </tr> </tbody> </table> <p style="text-align: center;">at 20°C at 20°C at 20°C</p> | Position | Resistance value | | | NX66F0F-20D | KSK89D53UEZ | KSN108D22UFZ | Red - White | 3.19Ω | 2.35Ω | 1.57Ω | White - Black | Black - Red | | | | | | | | | | | | | | | |
|------------------|---|---|------------------|------------------|------------------|---------------|---------------|-------------|---------------|-------------|---------------|-------------|-------|---------------|-------------|--|----------|--|-----|----|----|----|----|------------------|--|------|------|-----|-----|-----|
| Position | Resistance value | | | | | | | | | | | | | | | | | | | | | | | | | | | | | |
| | NX66F0F-20D | KSK89D53UEZ | KSN108D22UFZ | | | | | | | | | | | | | | | | | | | | | | | | | | | |
| Red - White | 3.19Ω | 2.35Ω | 1.57Ω | | | | | | | | | | | | | | | | | | | | | | | | | | | |
| White - Black | | | | | | | | | | | | | | | | | | | | | | | | | | | | | | |
| Black - Red | | | | | | | | | | | | | | | | | | | | | | | | | | | | | | |
| 2 | Fan motor | Measure the resistance value of winding by using the tester.  <table border="1"> <thead> <tr> <th rowspan="2">Position</th> <th>Resistance value</th> <th>Resistance value</th> </tr> <tr> <th>WDF-340-A43-1</th> <th>ICF-140-43-4R</th> </tr> </thead> <tbody> <tr> <td>Red - White</td> <td rowspan="3">33.7 ± 1.7Ω</td> <td rowspan="3">21 ± 1.05Ω</td> </tr> <tr> <td>White - Black</td> </tr> <tr> <td>Black - Red</td> </tr> </tbody> </table> <p style="text-align: center;">at 20°C at 20°C</p> | Position | Resistance value | Resistance value | WDF-340-A43-1 | ICF-140-43-4R | Red - White | 33.7 ± 1.7Ω | 21 ± 1.05Ω | White - Black | Black - Red | | | | | | | | | | | | | | | | | | |
| Position | Resistance value | Resistance value | | | | | | | | | | | | | | | | | | | | | | | | | | | | |
| | WDF-340-A43-1 | ICF-140-43-4R | | | | | | | | | | | | | | | | | | | | | | | | | | | | |
| Red - White | 33.7 ± 1.7Ω | 21 ± 1.05Ω | | | | | | | | | | | | | | | | | | | | | | | | | | | | |
| White - Black | | | | | | | | | | | | | | | | | | | | | | | | | | | | | | |
| Black - Red | | | | | | | | | | | | | | | | | | | | | | | | | | | | | | |
| 3 | 4-Way valve coil Model : DXQ-939 | Measure the resistance value of winding by using the tester.  <table border="1"> <thead> <tr> <th>Resistance value</th> </tr> </thead> <tbody> <tr> <td>1450 ± 150Ω</td> </tr> </tbody> </table> <p style="text-align: right;">at 20°C</p> | Resistance value | 1450 ± 150Ω | | | | | | | | | | | | | | | | | | | | | | | | | | |
| Resistance value | | | | | | | | | | | | | | | | | | | | | | | | | | | | | | |
| 1450 ± 150Ω | | | | | | | | | | | | | | | | | | | | | | | | | | | | | | |
| 4 | Pulse Modulating Valve (PMV) coil Model : PQ-M10012-000313 | Measure the resistance value of winding by using the tester.  <table border="1"> <thead> <tr> <th>Position</th> <th>Resistance value</th> </tr> </thead> <tbody> <tr> <td>Red - White</td> <td>42 to 50Ω</td> </tr> <tr> <td>Red - Orange</td> <td>42 to 50Ω</td> </tr> <tr> <td>Gray - Yellow</td> <td>42 to 50Ω</td> </tr> <tr> <td>Gray - Blue</td> <td>42 to 50Ω</td> </tr> </tbody> </table> <p style="text-align: right;">at 20°C</p> | Position | Resistance value | Red - White | 42 to 50Ω | Red - Orange | 42 to 50Ω | Gray - Yellow | 42 to 50Ω | Gray - Blue | 42 to 50Ω | | | | | | | | | | | | | | | | | | |
| Position | Resistance value | | | | | | | | | | | | | | | | | | | | | | | | | | | | | |
| Red - White | 42 to 50Ω | | | | | | | | | | | | | | | | | | | | | | | | | | | | | |
| Red - Orange | 42 to 50Ω | | | | | | | | | | | | | | | | | | | | | | | | | | | | | |
| Gray - Yellow | 42 to 50Ω | | | | | | | | | | | | | | | | | | | | | | | | | | | | | |
| Gray - Blue | 42 to 50Ω | | | | | | | | | | | | | | | | | | | | | | | | | | | | | |
| 5 | Outside air temp. sensor (TO) Discharge temp. sensor (TD) Suction temp. sensor (TS) Exchanger temp. sensor (TE) | Disconnect the connector, and measure resistance value with the tester. (Normal temperature) <table border="1"> <thead> <tr> <th colspan="2">Temperature</th> <th>10°C</th> <th>20°C</th> <th>30°C</th> <th>40°C</th> <th>50°C</th> </tr> <tr> <th>Sensor</th> <th></th> <td></td> <td></td> <td></td> <td></td> <td></td> </tr> </thead> <tbody> <tr> <td>TD (kΩ)</td> <td></td> <td>105</td> <td>64</td> <td>41</td> <td>27</td> <td>18</td> </tr> <tr> <td>TO, TS, TE (kΩ)</td> <td></td> <td>20.7</td> <td>12.6</td> <td>7.9</td> <td>4.5</td> <td>3.4</td> </tr> </tbody> </table> | Temperature | | 10°C | 20°C | 30°C | 40°C | 50°C | Sensor | | | | | | | TD (kΩ) | | 105 | 64 | 41 | 27 | 18 | TO, TS, TE (kΩ) | | 20.7 | 12.6 | 7.9 | 4.5 | 3.4 |
| Temperature | | 10°C | 20°C | 30°C | 40°C | 50°C | | | | | | | | | | | | | | | | | | | | | | | | |
| Sensor | | | | | | | | | | | | | | | | | | | | | | | | | | | | | | |
| TD (kΩ) | | 105 | 64 | 41 | 27 | 18 | | | | | | | | | | | | | | | | | | | | | | | | |
| TO, TS, TE (kΩ) | | 20.7 | 12.6 | 7.9 | 4.5 | 3.4 | | | | | | | | | | | | | | | | | | | | | | | | |

11-8-5. Checking Method for Each Part

| No. | Part name | Checking procedure | | | | | | | | | | | | |
|----------------|---|--|------------|--|----------------------------------|----------------|----------------|---------------------------------|----------------|----------------|----------------|----------------|----------------|----------------|
| 1 | Electrolytic capacitor (For raising pressure, smoothing) | <p>1. Turn OFF the power supply breaker. 2. Discharge all three capacitors completely. 3. Check that safety valve at the bottom of capacitor is not broken. 4. Check that vessel is not swollen or exploded. 5. Check that electrolytic liquid does not blow off. 6. Check that the normal charging characteristics are show in continuity test by the tester.</p> <p>RAS-05, 07BAVG-E, RAS-10, 13BAVG-E1</p>  <p>C07 → 760μF/450V</p> <p>RAS-16BAVG-E</p>  <p>C07, C08 → 760μF/400V</p> <div style="border: 1px solid black; padding: 5px; width: fit-content; margin-top: 10px;"> <p>Case that product is good</p> <p>Pointer swings once, and returns slowly. When performing test once again under another polarity, the pointer should return.</p> </div> | | | | | | | | | | | | |
| 2 | Converter module | <p>1. Turn OFF the power supply breaker. 2. Discharge all three capacitors completely. 3. Check that the normal rectification characteristics are shown in continuity test by the tester.</p> <div style="display: flex; justify-content: space-around; align-items: center;">   </div> <p style="text-align: center;">(DB01)</p> <p style="text-align: center;">Diode check</p> <table border="1" style="margin-left: auto; margin-right: auto;"> <thead> <tr> <th colspan="2">Tester rod</th> <th>Resistance value in good product</th> </tr> </thead> <tbody> <tr> <td>⊕₁</td> <td>⊖₄</td> <td rowspan="4" style="text-align: center; vertical-align: middle;">50kΩ or more (0Ω in trouble)</td> </tr> <tr> <td>⊖₂</td> <td>⊖₄</td> </tr> <tr> <td>⊖₃</td> <td>⊖₂</td> </tr> <tr> <td>⊕₁</td> <td>⊖₃</td> </tr> </tbody> </table> | Tester rod | | Resistance value in good product | ⊕ ₁ | ⊖ ₄ | 50kΩ or more (0Ω in trouble) | ⊖ ₂ | ⊖ ₄ | ⊖ ₃ | ⊖ ₂ | ⊕ ₁ | ⊖ ₃ |
| Tester rod | | Resistance value in good product | | | | | | | | | | | | |
| ⊕ ₁ | ⊖ ₄ | 50kΩ or more (0Ω in trouble) | | | | | | | | | | | | |
| ⊖ ₂ | ⊖ ₄ | | | | | | | | | | | | | |
| ⊖ ₃ | ⊖ ₂ | | | | | | | | | | | | | |
| ⊕ ₁ | ⊖ ₃ | | | | | | | | | | | | | |

11-9. How to Simply Judge Whether Outdoor Fan Motor is Good or Bad

1. Symptom

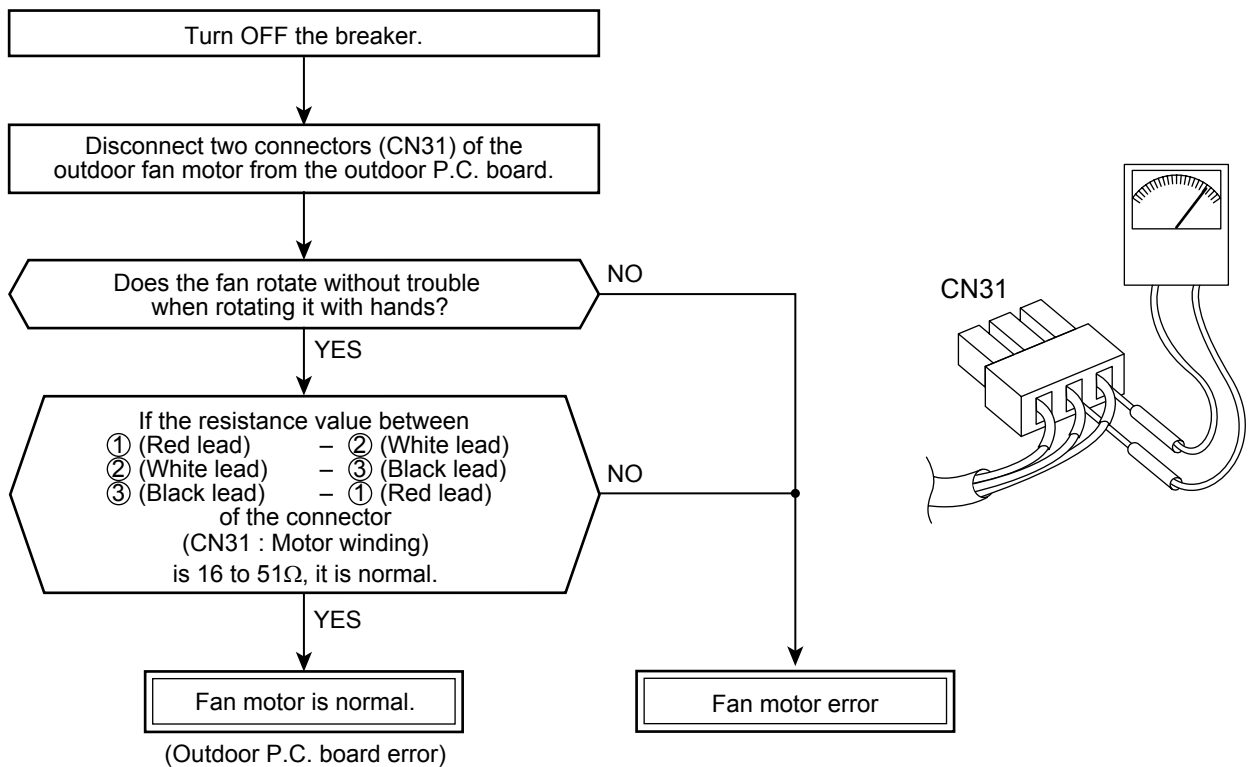
- Outdoor fan motor does not rotate.
 - Outdoor fan motor stops within several tens seconds though it started rotating.
 - Outdoor fan motor rotates or does not rotate according to the position where the fan stopped, etc.
- Remote controller check code “02 : Outdoor block, 1A : Outdoor fan drive system error”

2. Cause

The following causes are considered when the outdoor fan motor does not normally rotate.

- 1) Mechanical lock of the outdoor fan motor
- 2) Winding failure of the outdoor fan motor
- 3) Position-detect circuit failure inside of the outdoor fan motor
- 4) Motor drive circuit failure of the outdoor P.C. board

3. How to simply judge whether outdoor fan motor is good or bad



NOTE :

However, GND circuit error inside of the motor may be accepted in some cases when the above check is performed.

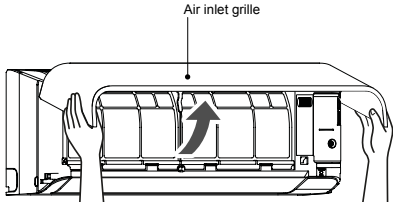
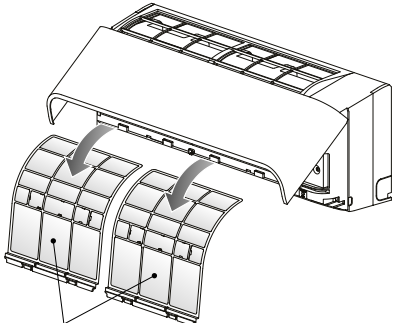
When the fan motor does not become normal even if P.C. board is replaced, replace the outdoor fan motor.

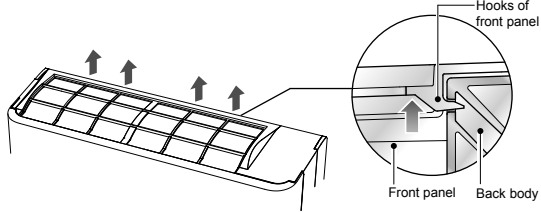
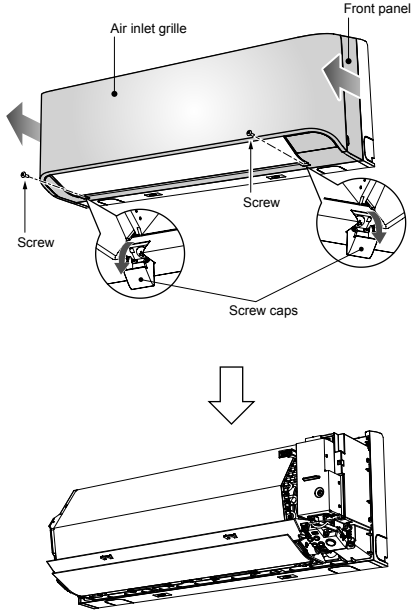
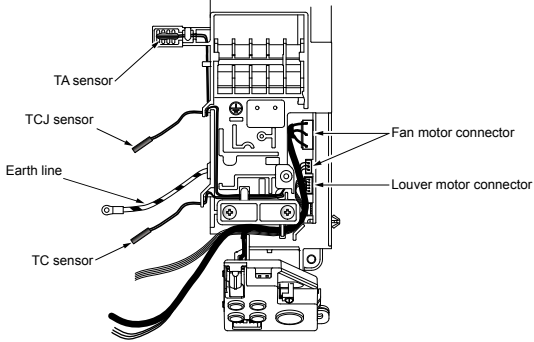
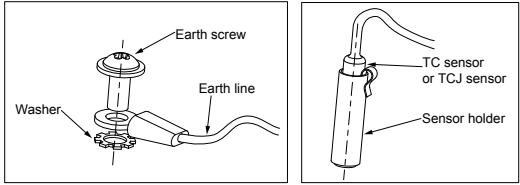
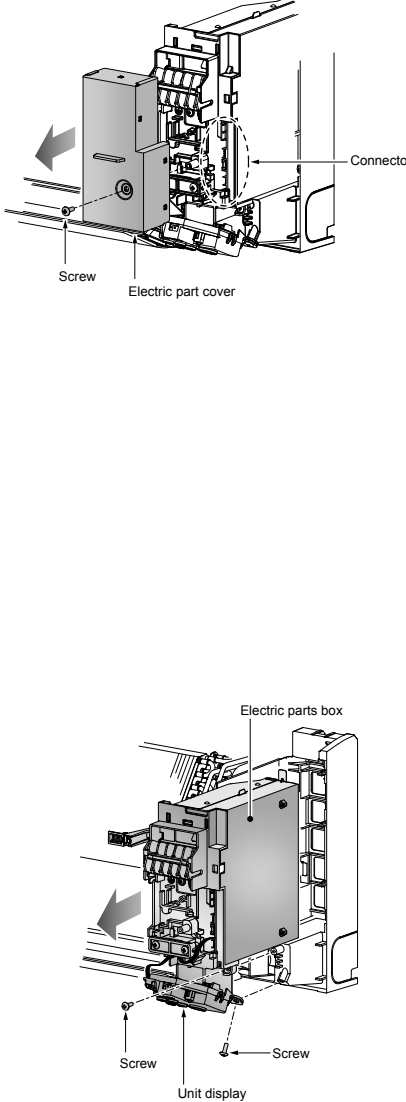
12. HOW TO REPLACE THE MAIN PARTS

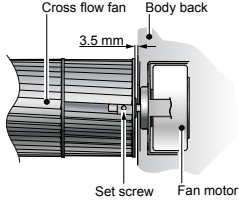
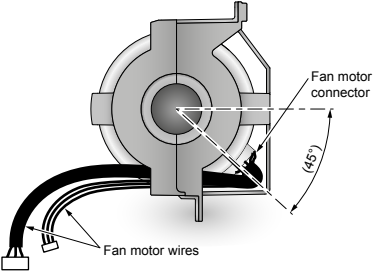
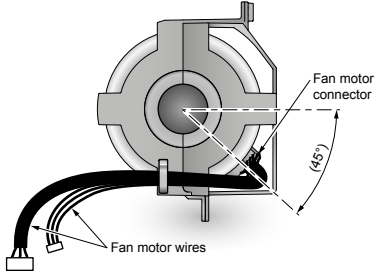
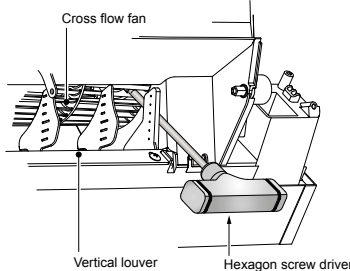
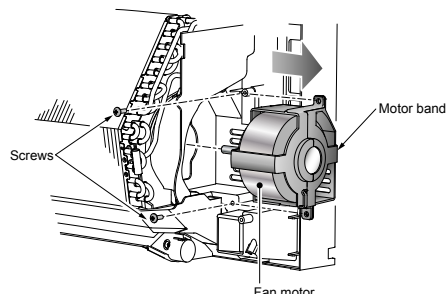
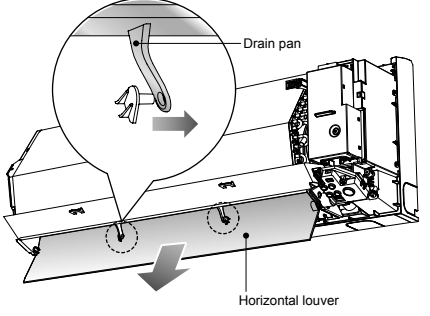
WARNING

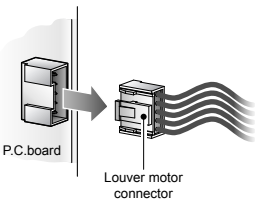
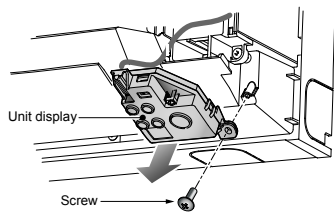
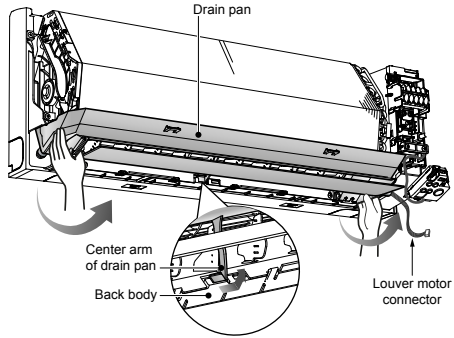
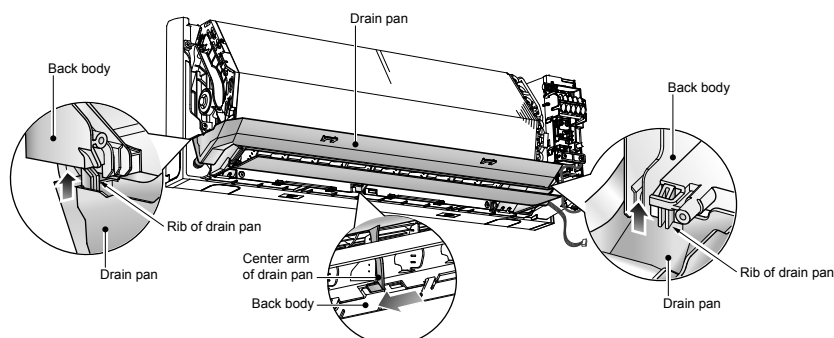
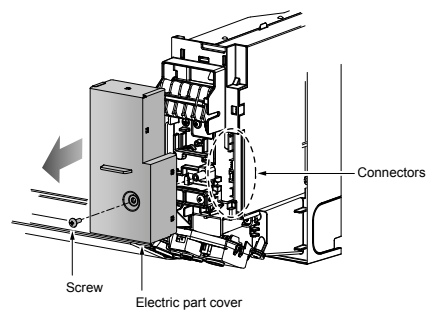
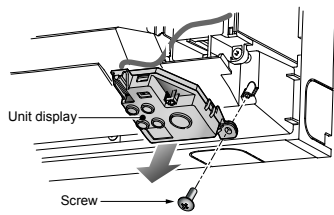
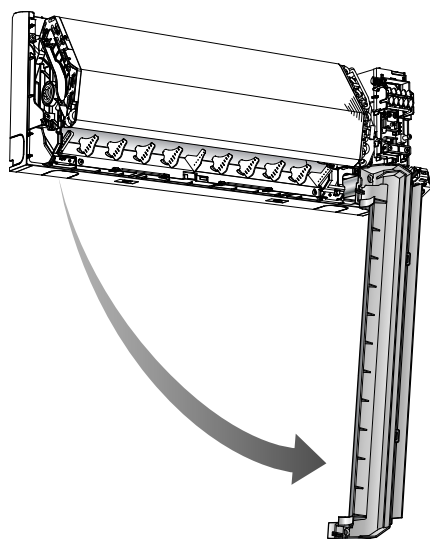
- Since high voltages pass through the electrical parts, turn off the power without fail before proceeding with the repairs.
Electric shocks may occur if the power plug is not disconnected.
- After the repairs have been completed (after the front panel and cabinet have been installed), perform a test run, and check for smoking, unusual sounds and other abnormalities.
If this check is omitted, a fire and/or electric shocks may occur.
Before proceeding with the test run, install the front panel and cabinet.
- Ensure that the following steps are taken when doing repairs on the refrigerating cycle.
 1. Do not allow any naked flames in the surrounding area.
If a gas stove or other appliance is being used, extinguish the flames before proceeding.
If the flames are not extinguished, they may ignite any oil mixed with the refrigerant gas.
 2. Do not use welding equipment in an airtight room.
Carbon monoxide poisoning may result if the room is not properly ventilated.
 3. Do not bring welding equipment near flammable objects.
Flames from the equipment may cause the flammable objects to catch fire.
- **If keeping the power on is absolutely unavoidable while doing a job such as inspecting the circuitry, wear rubber gloves to avoid contact with the live parts.**
Electric shocks may be received if the live parts are touched.
High-voltage circuits are contained inside this unit.
Proceed very carefully when conducting checks since directly touching the parts on the control circuit board may result in electric shocks.

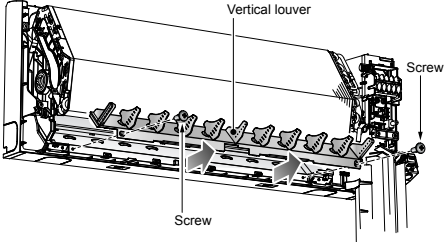
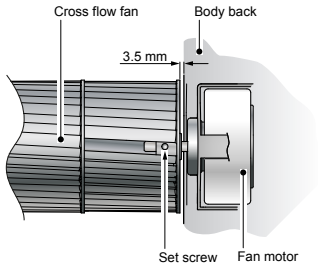
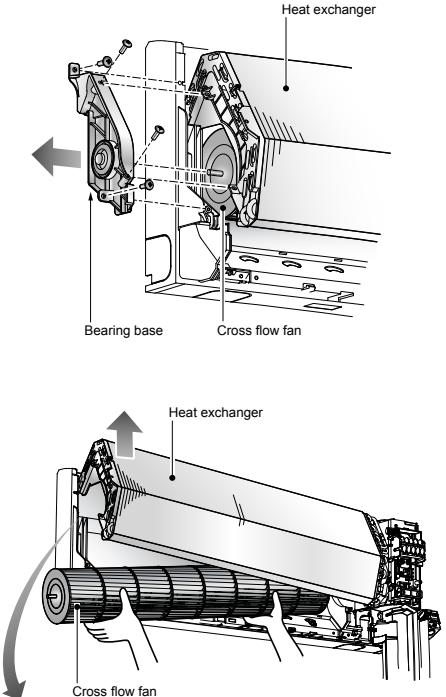
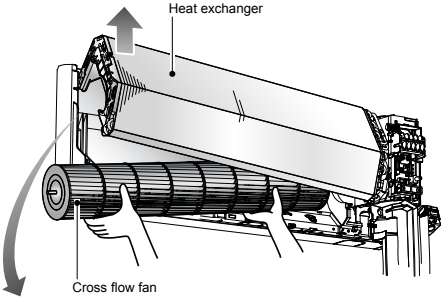
12-1. Indoor Unit

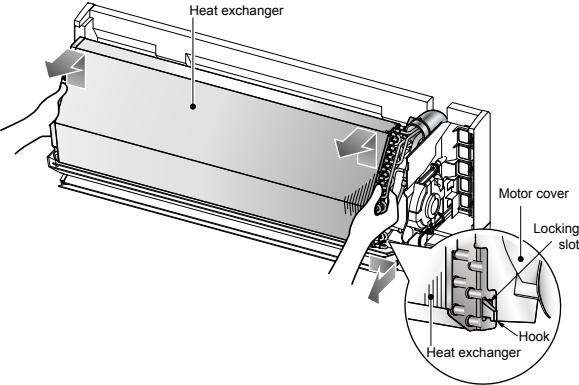
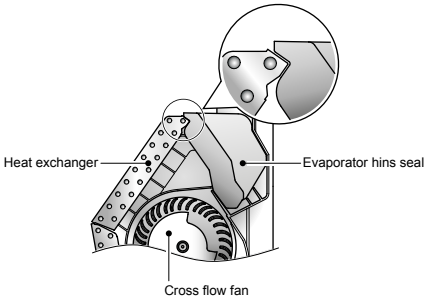
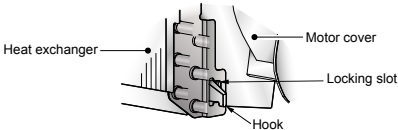
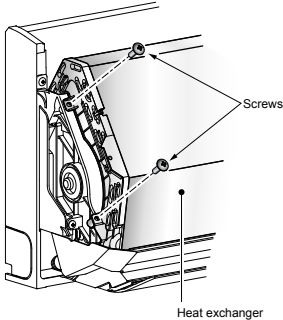
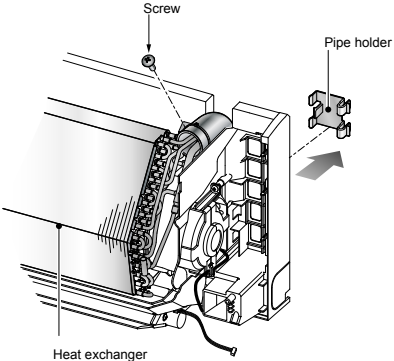
| No. | Part name | Procedures | Remarks |
|-----|------------------|---|---|
| ① | Air inlet grille | 1) Stop operation of the air conditioner and turn off its main power supply. 2) Open the air inlet grille and push it up until the air inlet grille take off. <Remark> If you do not have enough space for push the air inlet grille up until it take off, you can push the arms of air inlet grille toward the outside, and remove the air inlet grille. |  |
| ② | Air filters | 1) Follow to the procedure in the item ①.  Air filters 2) Remove the left and the right air filters from the front panel. | |

| No. | Part name | Procedures | Remarks |
|-----|----------------------------|---|--|
| ③ | Front panel | <p>1) Stop operation of the air conditioner and turn off its main power supply.</p> <p>2) Open two screw caps and securely remove screws (2 pcs.) at the front panel.</p>  <p>3) Take off the hooks of front panel from top side of the back body.</p> <p>4) Slightly open the lower part of the front panel then pull the upper part of the front panel toward you to remove it as shown on figure.</p> |  |
| ④ | Electric part box assembly | <p>1) Follow the procedure item③.</p> <p>2) Remove screw holding the electric part cover.</p>  <p>3) Disconnect the connectors for the fan motor and louver motor from P.C. board assembly.</p>  <p>4) Remove the earth screw and earth line from evaporator.</p> <p>5) Pull out TC and TCJ sensor from sensor holder of the evaporator.</p> <p>6) Remove the 2 fixing screws that secures the electric parts box assembly, unit display assembly and remove the electric parts box assembly.</p> |  |

| No. | Part name | Procedures | Remarks |
|-----|-------------------|---|---|
| ⑤ | Fan motor | <p>1) Follow the procedure item ③ and ④. 2) Loosen the set screw of the cross flow fan.</p>  <p>3) Remove 2 fixing screws of the motor band. 4) Pull the motor band and the fan motor outward.</p> <p><To re-installation></p> <ul style="list-style-type: none"> - Check the type name of fan motor. - Keep connector position and arrange fan motor wires follow figure.  <p style="text-align: center;"><u>For SJM-240-25</u></p>  <p style="text-align: center;"><u>For SJM-240-35</u></p> |   |
| ⑥ | Horizontal louver | <p>1) Remove shaft of the horizontal louver from the back body. (First remove 2 the center shafts then remove the other shafts.)</p> |  |

| No. | Part name | Procedures | Remarks |
|-----|--------------------|--|--|
| ⑦ | Drain pan assembly | <p>1) Follow the procedure item ③.</p> <p>2) Remove screw holding the electric part cover.</p>  <p>3) Disconnect the louver motor connector (5P) from P.C. board assembly.</p> <p>4) Remove fixing screws of the unit display and remove unit display.</p>   <p>5) Remove the drain pan from the back body.</p> <p><To re-installation></p> <ul style="list-style-type: none"> - Press the drain pan into the back body - Please make sure ribs of drain pan in left and right side must be install to lock position. - Press the center arm of drain pan to back body.  |    |

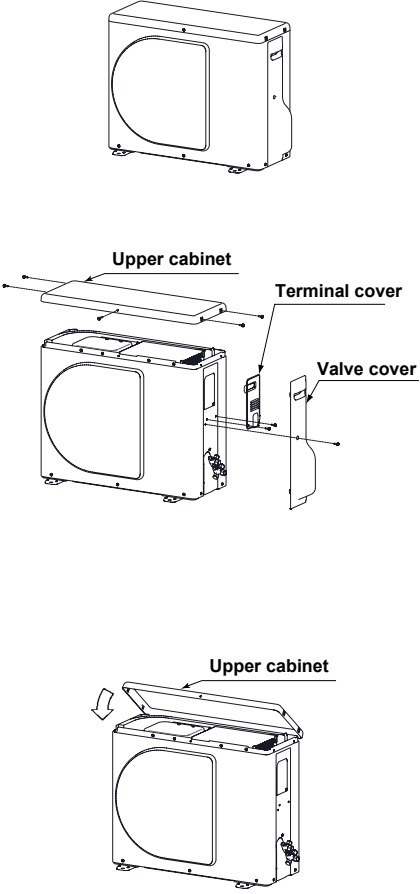
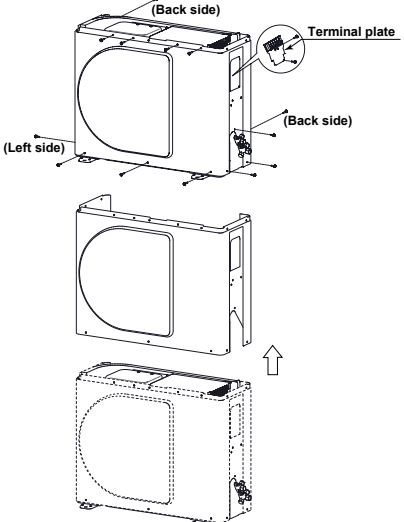
| No. | Part name | Procedures | Remarks |
|-----|--------------------------|---|--|
| ⑧ | Vertical louver assembly | <ol style="list-style-type: none"> 1) Follow the procedure item③and⑦. 2) Remove 2 fixing screws from the base vertical louver then remove the vertical louver assembly from the body back. |  |
| ⑨ | Cross flow fan | <ol style="list-style-type: none"> 1) Follow the procedure item③and④. 2) Loosen the set screw of the cross flow fan. 3) Remove 4 fixing screws from the bearing base then remove it from the main unit. <p>4) Lift up the heat exchanger follow the figure. Pull out the left hand side until the cross flow fan is released from the shaft of the fan motor and then pull out the lower side of heat exchanger follow the figure.</p> <p><To re-installation></p> <ol style="list-style-type: none"> 1) To incorporate the fan motor and the motor into the position in the following figure. <ul style="list-style-type: none"> - Install the cross flow fan so that the right end of the 1st joint from the right of the Cross flow fan is keep 3.5mm from closed wall of the main unit.  <ul style="list-style-type: none"> - Holding the set screw, install the cross flow fan so that flat area on shaft of the fan motor comes to the mounting hole of the set screw. |   |

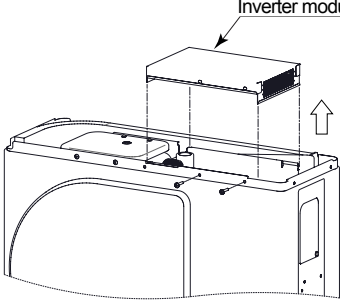
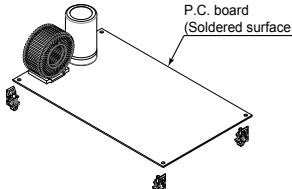

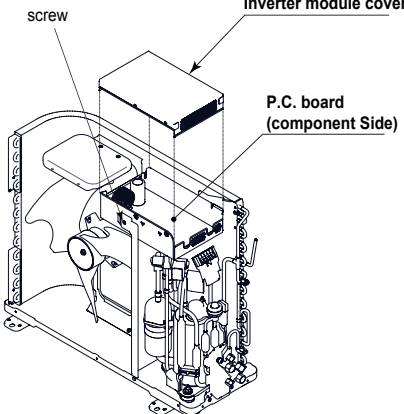
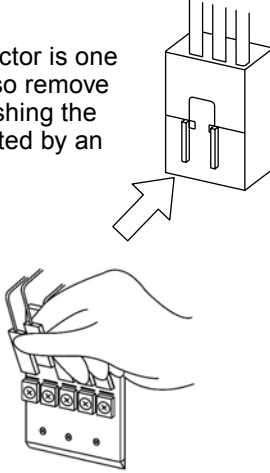
| No. | Part name | Procedures | Remarks |
|-----|-----------------------------|---|---|
| ⑩ | Heat exchanger (Evaporator) | <p>1) Follow the procedure in item③and④.</p> <p>2) Remove 2 fixing screws at the left side of the heat exchanger.</p> <p>3) Remove fixing screw at the upper right side of the heat exchanger.</p> <p>4) Remove the pipe holder from the rear side of the main unit.</p> <p>5) Pull out the right hand side until the locking slot of heat exchanger is released from the hook of the motor cover then pull out the upper side of heat exchanger.</p>  <p><To re-installation> In case of evaporator is assembled with evaporator hins seal :</p> <ul style="list-style-type: none"> - Put the evaporator hins seal on the body back before assembly the heat exchanger. - Please keep assembly heat exchanger follow figure as below :  <ul style="list-style-type: none"> - Please make sure that the hook of motor cover must be installed into the locking slot of heat exchanger.  |   |

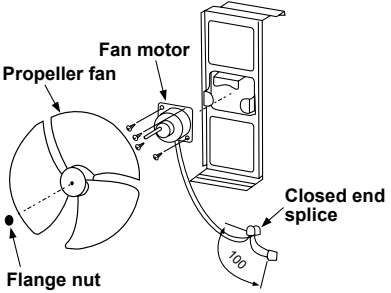
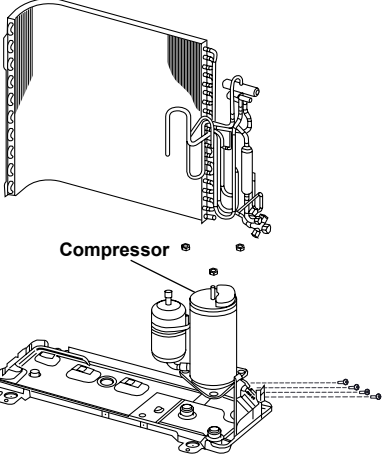
12-2. Microcomputer

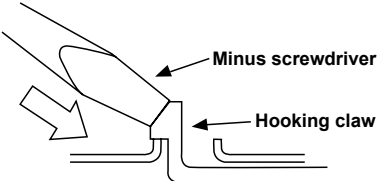
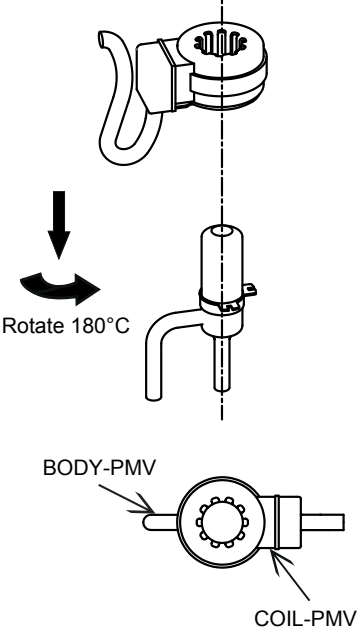
| No. | Part name | Procedure | Remarks |
|------------|------------------|--|---|
| ① | Common procedure | 1) Turn the power supply off to stop the operation of air-conditioner. 2) Remove the front panel. • Remove the 2 fixing screws. 3) Remove the electrical part base. | Replace terminal block, microcomputer ass'y and the P.C. board ass'y. |

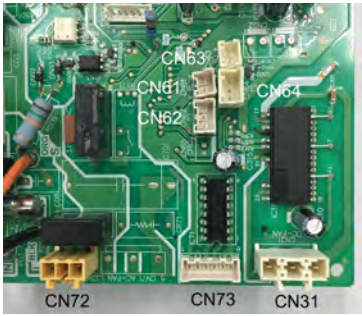
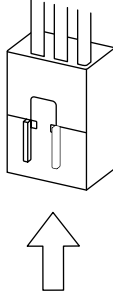
12-3. Outdoor Unit (RAS-05, 07BAVG-E, RAS-10, 13BAVG-E1)

| No. | Part name | Procedures | Remarks |
|-----|------------------|---|--|
| ① | Common procedure | <p>1. Detachment</p> <ol style="list-style-type: none"> 1) Stop operation of the air conditioner, and turn off the main switch and breaker of the air conditioner. 2) Remove the valve cover. (ST2TØ4 x 10ℓ 1 pc) <ul style="list-style-type: none"> • After removing screw, remove the valve cover pulling it downward. 3) Remove the wiring cover (ST2TØ4 x 10ℓ 2 pcs.), and then remove the power cord, connecting cable, and cord clamp (ST2TØ4 x 16ℓ 3 pcs.). 4) Remove the upper cabinet. (ST2TØ4 x 10ℓ 5 pcs.) <ul style="list-style-type: none"> • After removing screws, remove the upper cabinet pulling it upward. <p>2) Attachment</p> <ol style="list-style-type: none"> 1) Attach the upper cabinet. (ST2TØ4 x 10ℓ 5 pcs.) <ul style="list-style-type: none"> • Hook the rear side of the upper cabinet to the claw of the front cabinet, and then place it on the front cabinet. 2) After connecting the power cord and connecting cable, attach the cord clamp and wiring cover. <ul style="list-style-type: none"> • Put the wiring cover into the front cabinet, and insert the claw which has been hooked to the lower part into the square hole, and then fix it with screw. (ST2TØ4 x 10ℓ 2 pc.) 3) Attach the valve cover. (ST2TØ4 x 10ℓ 1 pc.) <ul style="list-style-type: none"> • Insert the upper part to the front cabinet, set the hook claw of the valve cover to square holes (at three positions) of the main unit, and attach it pushing upward. |  <p>The diagram illustrates the process of removing and attaching the upper cabinet and valve cover. It shows three stages: 1) The upper cabinet is shown being pulled away from the main unit. 2) The valve cover is shown being removed from the front of the unit. 3) The upper cabinet is shown being attached to the front of the unit.</p> |
| ② | Front cabinet | <p>1. Detachment</p> <ol style="list-style-type: none"> 1) Perform work of item 1 of ①. 2) Remove upper screw (ST2TØ4 x 10ℓ 4 pcs.) of the front cabinet, and lower screws (ST2TØ4 x 10ℓ 8 pcs.) of the front cabinet. <ul style="list-style-type: none"> • Both side of front cabinet envelop the unit, so remove it by pulling sideward. <p>3) Attachment</p> <ol style="list-style-type: none"> 1) Assemble front cabinet to the unit. 2) Attach the removed screws to the original positions. |  <p>The diagram illustrates the process of removing and attaching the front cabinet. It shows three stages: 1) The front cabinet is shown being pulled away from the unit. 2) The front cabinet is shown being attached to the unit. 3) The front cabinet is shown being attached to the unit.</p> |

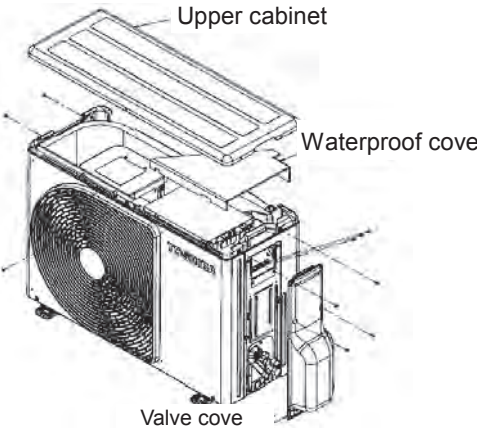
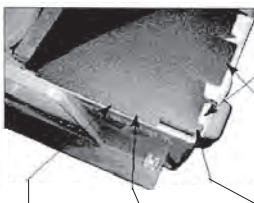
| No. | Part name | Procedure | Remarks |
|-----|-------------------|---|--|
| ③ | Inverter assembly | <p>1) Perform work of item 1 in ①.</p> <p>2) Remove screw (ST2TØ4×10L 2 pcs.) of the upper part of the front cabinet.</p> <ul style="list-style-type: none"> • Disconnect connectors all connector on P.C. board. • Take off P.C. board out from spacer under P.C. board. • If there is no space above the unit, perform work of 1 in ②. <div style="border: 1px solid black; padding: 5px; margin: 10px 0;"> <p>Be careful to check the inverter because high-voltage circuit is incorporated in it.</p> </div> <p>3) Perform discharging by connecting ⊕, ⊖ polarity by discharging resistance (approx. 100Ω40W) or plug of soldering iron to ⊕, ⊖ terminals a of the C07 (printed "CAUTION HIGH VOLTAGE" is attached.) electrolytic capacitor (760μF) on P.C. board.</p> <div style="border: 1px solid black; padding: 5px; margin: 10px 0;"> <p>Be careful to discharge the capacitor because the electrolytic capacitor cannot naturally discharge and voltage remains according to trouble type in some cases.</p> </div> <div style="text-align: center; margin: 10px 0;"> <p>NOTE</p> <p>This capacitor is one with mass capacity. Therefore, it is dangerous that a large spark generates if short-circuiting between ⊕, ⊖</p> </div> <p>4) Remove screw (ST2TØ4 x 10L 4pcs.) fixing the terminal part of inverter box to the main body.</p> <p>5) Remove the front cabinet by performing step 1 in ② , and remove the fixing screws (ST2TØ4 x 10L) for securing the main body and inverter box.</p> <p>6) Disconnect connectors of various lead wires.</p> <div style="border: 1px solid black; padding: 5px; margin: 10px 0;"> <p>Requirement</p> <p>As each connector has a lock mechanism, avoid to remove the connector by holding the lead wire, but by holding the connector.</p> </div> |  <p style="text-align: right;">Inverter module cover</p>  <p style="text-align: right;">P.C. board (Soldered surface)</p> <p>Discharging position (Discharging period 10 seconds or more)</p> <p style="text-align: right;">Plug of soldering iron</p>   <p style="text-align: right;">screw</p> <p style="text-align: right;">Inverter module cover</p> <p style="text-align: right;">P.C. board (component side)</p> <p>The connector is one with lock, so remove it while pushing the part indicated by an arrow.</p>  <p>Be sure to remove the connector by holding the connector, not by pulling the lead wire.</p> |

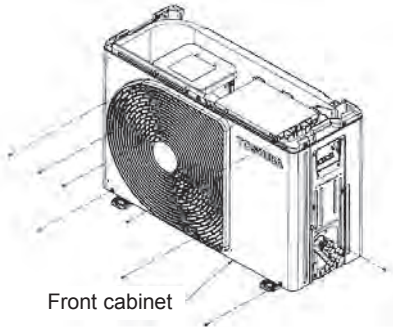
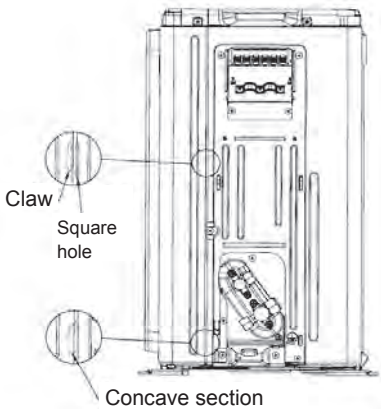
| No. | Part name | Procedures | Remarks |
|-----|------------|--|--|
| ④ | Fan motor | <ol style="list-style-type: none"> 1) Perform work of item 1 of ① and 1 of ②. 2) Remove the flange nut fixing the fan motor and the propeller fan. <ul style="list-style-type: none"> • Flange nut is loosened by turning clockwise. (To tighten the flange nut, turn counter-clockwise.) 3) Remove the propeller fan. 4) Disconnect the connector for the fan motor from the inverter. 5) Remove the fixing screws (4 pcs.) holding the fan motor by hand so that it does not fall. 6) Cut the motor lead at the point which is 100 mm apart from the connector toward the fan. 7) Use the connector used for the inverter, and pinch the lead wires using the closed end splice. |  |
| ⑤ | Compressor | <ol style="list-style-type: none"> 1) Perform work of item 1 of ①, 1 of ② and ③. 2) Extract refrigerant gas. 3) Remove the partition board. (ST2TØ4 x 10l 3 pcs.) 4) Remove the sound-insulation material. 5) Remove the terminal cover of the compressor, and disconnect the lead wire of the compressor thermo and the compressor from the terminal. 6) Remove the pipe connected to the compressor with a burner. <ul style="list-style-type: none"> • Make sure the flame does not touch the 4 way valve. 7) Remove the fixing screw of the base plate and heat exchanger. (ST2TØ4 x 10l 2 pcs.) 8) Pull upward the refrigeration cycle. 9) Remove the nut fixing the compressor to the base plate. |  |
| | | | |

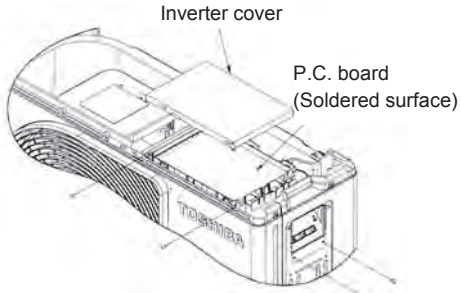
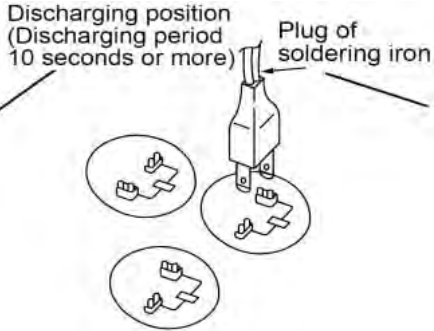
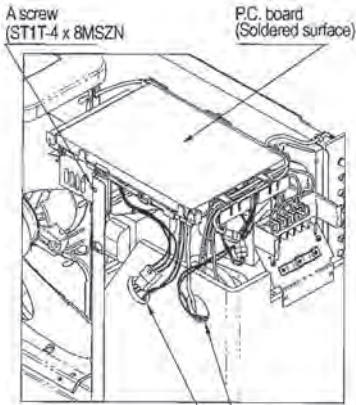
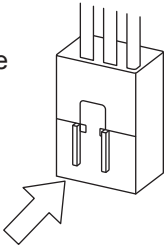
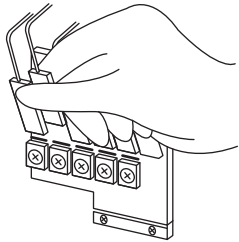
| No. | Part name | Procedures | Remarks |
|-----|-----------------------------|---|---|
| ⑥ | Fan guard | <p>1. Detachment</p> <p>1) Perform work of item 1 of ① and 1 of ②.</p> <div data-bbox="496 324 997 470" style="border: 1px solid black; padding: 5px; margin: 10px 0;"> <p>Requirement: Perform the work on a corrugated cardboard, cloth, etc. to prevent scratches to the product.</p> </div> <p>2) Remove the front cabinet, and place it down so that the fan guard side faces downwards.</p> <p>3) Remove the hooking claws by pushing a minus screwdriver according to the arrow mark in the right figure, and remove the fan guard.</p> <p>2. Attachment</p> <p>1) Insert the claws of the fan guard in the hole of the front cabinet. Push the hooking claws (8 positions) by your hand and fix the claws.</p> <div data-bbox="496 929 997 1108" style="border: 1px solid black; padding: 5px; margin: 10px 0;"> <p>Requirement: This completes all the attaching work. Check that all the hooking claws are fixed to the specified positions.</p> </div> |  |
| ⑦ | Pulse Modulating Valve coil | <p>1. Detachment</p> <p>1) Perform work of item 1 of ① and 1 of ② and ③.</p> <p>2) Turn the coil by 180 degrees then remove by pull it upward.</p> <p>2. Attachment</p> <p>1) Insert the coil at position which perpendicular with pipe of PMV then turn the coil by 180 degrees.</p> <div data-bbox="496 1512 997 1601" style="border: 1px solid black; padding: 5px; margin: 10px 0;"> <p>Make sure that lead wire of coil is opposite with pipe of PMV</p> </div> |  |

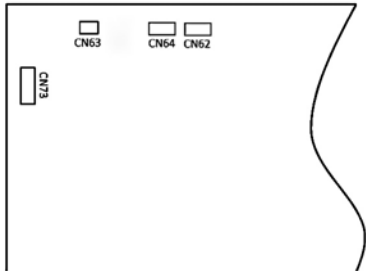
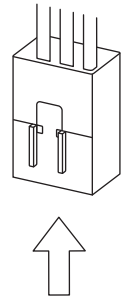
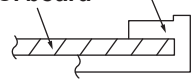
| No. | Part name | Procedure | Remarks |
|-----|------------------------|---|---|
| ⑧ | Control board assembly | <p>1. Disconnect the leads and connectors connected to the other parts from the control board assembly.</p> <p>1) Leads</p> <ul style="list-style-type: none"> • 3 leads (black, white, orange) connected to terminal block. • Lead connected to compressor : Disconnect the connector (3P). <p>2) Connectors</p> <p>CN31 : Outdoor fan motor (3P: white)* (* : See Note)</p> <p>CN72 : 4-way valve (2P: yellow)* CN61 : TE sensor (2P: white)* CN73 : PMV (6P: white) CN64 : TS sensor (3P: white)* CN62 :TD sensor (3P: white)* CN63 : TO sensor (2P: white)</p> <div style="border: 1px solid black; padding: 5px; margin: 10px 0; text-align: center;"> <p>NOTE</p> <p>These connectors have a disconnect prevention mechanism: as such, the lock on their housing must be released before they are disconnected.</p> </div> <p>2. Remove the control board assembly from the spacer. (Remove the heat sink and control board assembly while keeping them screwed together.)</p> <p>3. Remove the two fixing screws used to secure the heat sink and control board assembly.</p> <p>4. Mount the new control board assembly.</p> <div style="border: 1px solid black; padding: 5px; margin: 10px 0; text-align: center;"> <p>NOTE</p> <p>When mounting the new control board assembly, ensure that the P.C. board is inserted properly into the spacer support.</p> </div> |  <p>CN31,CN72,CN61,CN73,CN64, CN62 and CN63 are connectors with locking mechanisms: as such, to disconnect them, they must be pressed in the direction of the arrow while pulling them out.</p>  |

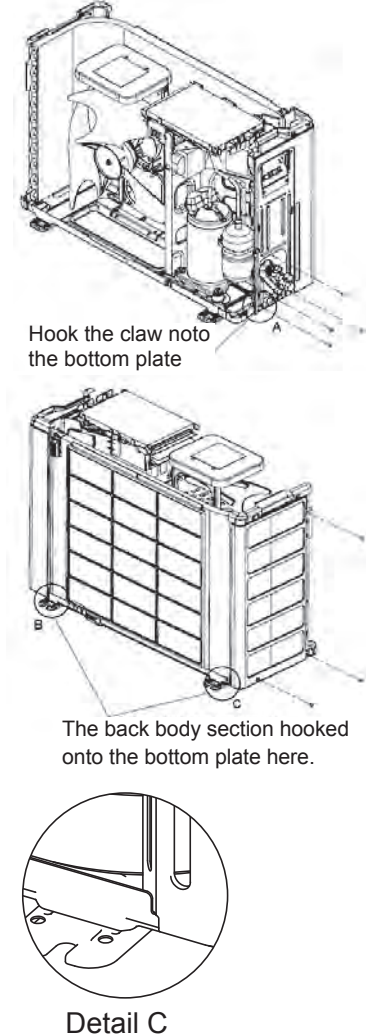
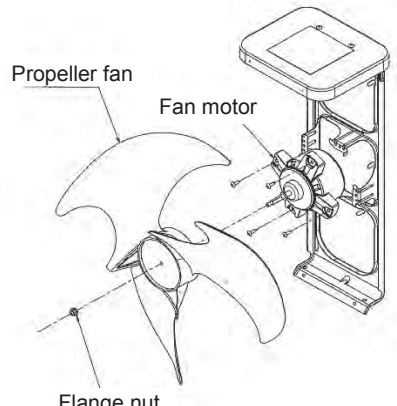
12-4. Outdoor unit (RAS-16BAVG-E)

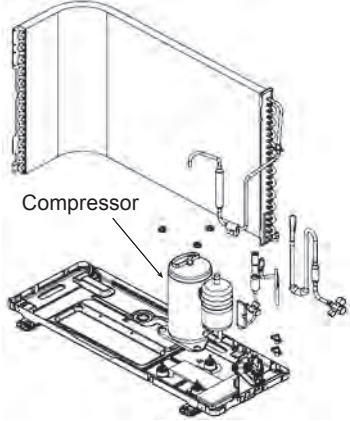
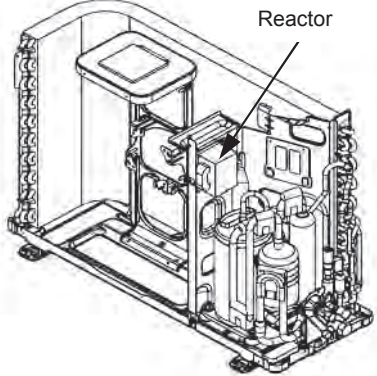
| No. | Part name | Procedures | Remarks |
|-----|------------------|--|--|
| ① | Common procedure | <p>1. Detachment</p> <div style="border: 1px solid black; padding: 5px; margin-bottom: 10px;"> <p style="text-align: center;">NOTE</p> <p>Wear gloves for this job. Otherwise, you may injure your hands on the parts, etc.</p> </div> <ol style="list-style-type: none"> 1) Stop operation of the air conditioner, and turn off the main switch of the breaker for air conditioner. 2) Remove the valve cover. (ST2TØ4 × 10L 2 pcs.) <ul style="list-style-type: none"> • After removing screw, remove the valve cover pulling it downward. 3) Remove cord clamp (ST2TØ4 × 14L 3 pcs.), and then remove connecting cable. 4) Remove the upper cabinet. (ST2TØ4 × 10L 5 pcs.) <ul style="list-style-type: none"> • After removing screws, remove the upper cabinet pulling it upward. <p>2. Attachment</p> <ol style="list-style-type: none"> 1) Attach the water-proof cover. <div style="border: 1px solid black; padding: 5px; margin-bottom: 10px;"> <p style="text-align: center;">NOTE</p> <p>The water-proof cover must be attached without fail in order to prevent rain water, etc. from entering inside the indoor unit.</p> </div> <ol style="list-style-type: none"> 2) Attach the upper cabinet. (ST2TØ4 × 10L 5 pcs.) 3) Perform cabling of connecting cable, and attach the cord clamp. <ul style="list-style-type: none"> • Fix the cord clamp by tightening the screws (ST2TØ4 x 14L 3 pcs.), fitting concave parts of the cord clamp to each connecting cables. 4) Attach the valve cover. (ST2TØ4 × 10L 2 pcs.) <ul style="list-style-type: none"> • Insert the upper part into the square hole of the side cabinet, set hook claws of the valve cover to square holes (at three positions) of the main unit, and attach it pushing upward, | <div style="text-align: center; margin-bottom: 20px;">  <p>Upper cabinet Waterproof cover Valve cover</p> </div> <div style="text-align: center;">  </div> <div style="display: flex; flex-direction: column; align-items: center;"> <div style="border: 1px solid black; padding: 5px; margin-bottom: 5px; width: 150px; text-align: center;"> <p>These 2 bending parts shall be put inside of a unit by bending these 2 ports.</p> </div> <div style="border: 1px solid black; padding: 5px; margin-bottom: 5px; width: 150px; text-align: center;"> <p>This part shall be put on the side cabinet.</p> </div> <div style="border: 1px solid black; padding: 5px; margin-bottom: 5px; width: 150px; text-align: center;"> <p>Fit the corner of the water proof cover to the corner of the front cabinet.</p> </div> <div style="border: 1px solid black; padding: 5px; margin-bottom: 5px; width: 150px; text-align: center;"> <p>This part shall cover the gap between the inverter box and the front cabinet.</p> </div> <div style="border: 1px solid black; padding: 5px; margin-bottom: 5px; width: 150px; text-align: center;"> <p>This line shall be pavallel to the front cabinet</p> </div> </div> <div style="border: 1px solid black; padding: 5px; text-align: center; margin-top: 20px;"> <p>How to mount the water-proof cover</p> </div> |

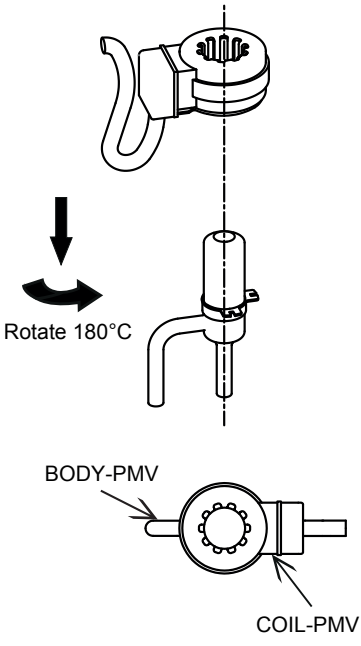
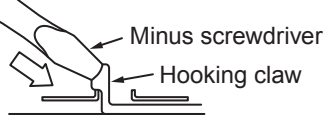
| No. | Part name | Procedures | Remarks |
|-----|---------------|--|--|
| ② | Front cabinet | <p>1. Detachment</p> <ol style="list-style-type: none"> 1) Perform step 1 in ①. 2) Remove the fixing screws (S 2TØ4 × 10L 2 pcs.) used to secure the front cabinet and inverter cover, the screws (ST2TØ4 × 10L 4 pcs.) used to secure the front cabinet at the bottom, and the fixing screws (S 2TØ4 × 10L 2 pcs.) used to secure the motor base. <ul style="list-style-type: none"> • The front cabinet is fitted into the sid cabinet (left) at the front left side so pull up the top of the front cabinet to remove it. <p>2. Attachment</p> <ol style="list-style-type: none"> 1) Insert the claw on the front left side into the side cabinet (left). 2) Hook the bottom part of the front right side onto the concave section of the bottom plate. Insert the claw of the side cabinet (right) into the square hole in the front cabinet. 3) Return the screws that were removed above to their original positions and attach them. |  <p>Front cabinet</p>  <p>Claw</p> <p>Square hole</p> <p>Concave section</p> |

| No. | Part name | Procedures | Remarks |
|-----|-------------------|--|---|
| ③ | Inverter assembly | <p>1) Perform work of item 1 in ①.</p> <p>2) Remove screw (ST2TØ4 × 10L 2 pcs.) of the upper part of the front cabinet.</p> <ul style="list-style-type: none"> • If removing the inverter cover in this condition, P.C. board can be checked. • If there is no space above the unit, perform work of 1 in ②. <div data-bbox="454 432 927 504" style="border: 1px solid black; padding: 5px;"> <p>Be careful to check the inverter because high-voltage circuit is incorporated in it.</p> </div> <p>3) Perform discharging by connecting ⊕, ⊖ polarity by discharging resistance (approx. 100Ω40W) or plug of soldering iron ⊕ to ⊖, terminals a of the C07 (printed "CAUTION HIGH VOLTAGE" is attached.) electrolytic capacitor (760μF) on P.C. board.</p> <div data-bbox="454 694 927 819" style="border: 1px solid black; padding: 5px;"> <p>Be careful to discharge the capacitor because the electrolytic capacitor cannot naturally discharge and voltage remains according to trouble type in some cases.</p> </div> <div data-bbox="454 853 927 996" style="border: 1px solid black; padding: 5px;"> <p style="text-align: center;">NOTE</p> <p>This capacitor is one with mass capacity. Therefore, it is dangerous that a large spark generates if short-circuiting between ⊕, ⊖</p> </div> <p>4) Remove screw (ST2TØ4 x 10L 4pcs.) fixin the terminal part of inverter box to the main body.</p> <p>5) Remove the front cabinet by performing step 1 in ②, and remove the fixing screws (S 2TØ4 x 10L) for securing the main body and inverter box.</p> <p>6) Remove various lead wires from the holder at upper part of the inverter box.</p> <p>7) Pull the inverter box upward.</p> <p>8) Disconnect connectors of various lead wires.</p> <div data-bbox="454 1350 927 1464" style="border: 1px solid black; padding: 5px;"> <p style="text-align: center;">Requirement</p> <p>As each connector has a lock mechanism, avoid to remove the connector by holding the lead wire, but by holding the connector.</p> </div> |  <p>Inverter cover P.C. board (Soldered surface)</p>  <p>Discharging position (Discharging period 10 seconds or more) Plug of soldering iron</p>  <p>A screw (ST1T-4 x 8MSZN) P.C. board (Soldered surface)</p> <p>Put the compressor leads through the hole. Put each leads through the hole.</p>  <p>The connector is one with lock, so remove it while pushing the part indicated by an arrow.</p>  <p>Be sure to remove the connector by holding the connector, not by pulling the lead wire.</p> |

| No. | Part name | Procedures | Remarks |
|-----|------------------------|--|--|
| ④ | Control board assembly | <p>1. Disconnect the leads and connectors connected to the other parts from the control board assembly.</p> <p>1) Leads</p> <ul style="list-style-type: none"> • 3 leads (black, white, orange) connected to terminal block. • Lead connected to compressor : Disconnect the connector (3P). • Lead connected to reactor : Disconnect the two connectors (2P). <p>2) Connectors</p> <p>CN31 : Outdoor fan motor (3P: white)* (* : See Note) CN73 : PMV (6P: white) CN64 : TS sensor (3P: white)* CN62 :TD sensor (3P: white)* CN63 : TO sensor (2P: white)</p> <div style="border: 1px solid black; padding: 5px; margin: 10px 0;"> <p style="text-align: center;">NOTE</p> <p>These connectors have a disconnect prevention mechanism: as such, the lock on their housing must be released before they are disconnected.</p> </div> <p>2. Remove the control board assembly from the P.C. board base. (Remove the heat sink a control board assembly while keeping them screwed together.)</p> <div style="border: 1px solid black; padding: 5px; margin: 10px 0;"> <p style="text-align: center;">NOTE</p> <p>Disengage the four claws of the P.C. board base, hold the heat sink, and lift to remove it.</p> </div> <p>3. Remove the two fixing screws used to secure the heat sink and control board assembly.</p> <p>4. Mount the new control board assembly.</p> <div style="border: 1px solid black; padding: 5px; margin: 10px 0;"> <p style="text-align: center;">NOTE</p> <p>When mounting the new control board assembly, ensure that the P.C. board is inserted properly into the P.C. board support groove.</p> </div> |  <p>CN31, CN73, CN64, CN62 and CN63 are connectors with locking mechanisms: as such, to disconnect them, they must be pressed in the direction of the arrow while pulling them out.</p>  <p style="text-align: center;">P.C. board base</p> <p>P.C. board</p>  |

| No. | Part name | Procedures | Remarks |
|-----|--------------|---|---|
| ⑤ | Side cabinet | <p>1. Side cabinet (right)</p> <ol style="list-style-type: none"> 1) Perform step 1 in ② and all the steps in ③. 2) Remove the fixing screw (S 2TØ4 × 10L 4 pcs.) used for securing the side cabinet to the bottom plate and valve fixing panel <p>2. Side cabinet (left)</p> <ol style="list-style-type: none"> 1) Perform step 1 in ②. 2) Remove the fixing screw (S 2TØ4 × 10L 1 pc.) used to secure the side cabinet (left) onto the heat exchanger. 3) Remove the fixing screw (S 2TØ4 × 10L 2 pcs.) used for securing the side cabinet to the bottom plate and heat exchanger. |  <p>Hook the claw onto the bottom plate</p> <p>The back body section hooked onto the bottom plate here.</p> <p>Detail A Detail B Detail C</p> |
| ⑥ | Fan motor | <ol style="list-style-type: none"> 1) Perform work of item 1 of ① and ②. 2) Remove the flange nut fixing the fan motor and the propeller. <ul style="list-style-type: none"> • Flange nut is loosened by turning clockwise. (To tighten the flange nut, turn counterclockwise.) 3) Remove the propeller fan. 4) Disconnect the connector for fan motor from the inverter. 5) Remove the fixing screws (4 pcs.) holding by hands so that the fan motor does not fall. <p>* Precautions when assembling the fan motor Tighten the flange nut using a tightening torque of 4.9 N•m.</p> |  <p>Propeller fan</p> <p>Fan motor</p> <p>Flange nut</p> |

| No. | Part name | Procedures | Remarks |
|-----|------------|---|---|
| ⑦ | Compressor | <ol style="list-style-type: none"> 1) Perform work of item 1 of ① and ②, ③, ④, ⑤. 2) Extract refrigerant gas. 3) Remove the partition board. (ST2TØ4 × 10L 3 pcs.) 4) Remove the sound-insulation material. 5) Remove terminal cover of the compressor, and disconnect lead wire of the compressor from the terminal. 6) Remove pipe connected to the compressor with a burner. 7) Remove the fixing screw of the bottom plate and heat exchanger. (ST2TØ4 × 10L 1 pc.) 8) Remove the fixing screw of the bottom plate and valve fixing plate. (ST2TØ4 × 10L 1 pc.) 9) Pull upward the refrigeration cycle. 10) Remove NUT (3 pcs. fixing the compressor to the bottom plate. |  |
| ⑧ | Reactor | <ol style="list-style-type: none"> 1) Perform work of item 1 of ② and ③. 2) Remove screws fixing the reactors (ST2TØ4 × 10L 2 pcs.) |  |

| No. | Part name | Procedures | Remarks |
|-----|---------------------------------|---|---|
| ⑨ | Electronic expansion valve coil | <p>1. Detachment</p> <ol style="list-style-type: none"> 1) Perform step 1 in ②, all the steps in ③ and 1 in ⑤. 2) Turn the coil by 180 degrees then remove by pull it upward. <p>2. Attachment</p> <ol style="list-style-type: none"> 1) Insert the coil at position which perpendicular with pipe of PMV then turn the coil by 180 degrees. <div data-bbox="499 544 970 645" style="border: 1px solid black; padding: 5px; margin: 10px 0;"> <p>Make sure that lead wire of coil is opposite with pipe of PMV</p> </div> |  |
| ⑩ | Fan Guard | <p>1. Detachment</p> <ol style="list-style-type: none"> 1) Perform work of item 1 of ② . 2) Remove the front cabinet, and put it down so that fan guard side directs downward. <div data-bbox="499 1193 970 1272" style="border: 1px solid black; padding: 5px; margin: 10px 0;"> <p>Perform work on a corrugated cardboard, cloth, etc. to prevent f aw to the product.</p> </div> <ol style="list-style-type: none"> 3) Remove the hooking claws by pushing minus screwdriver according to the arrow mark in the right figure, and remove the fa guard. <p>2. Attachment</p> <ol style="list-style-type: none"> 1) Insert claws of the fan guard in the holes of the front cabinet. Push the hooking claws (9 positions) by hands and fix the claws <div data-bbox="499 1563 970 1664" style="border: 1px solid black; padding: 5px; margin: 10px 0;"> <p>All the attaching works have completed. Check that all the hooking claws are f xed to the specif ed positions.</p> </div> |  |

| No. | Part name | Procedures | Remarks |
|-----|---|---|---------|
| ⑪ | TS sensor (Suction pipe temperature sensor) | <ul style="list-style-type: none"> • Attachment Install the sensor onto the straight pipe part of the suction pipe. Be careful for the lead direction of the sensor. | |
| ⑫ | TD sensor (Discharge pipe temperature sensor) | <ul style="list-style-type: none"> • Attachment With its leads pointed upward, install the sensor onto the vertical straight pipe part of the discharge pipe. | |
| ⑬ | TO sensor (Outside air temperature sensor) | <ul style="list-style-type: none"> • Attachment Insert the outdoor air temperature sensor into the holder, and install the holder onto the heat exchanger. | |

CAUTION

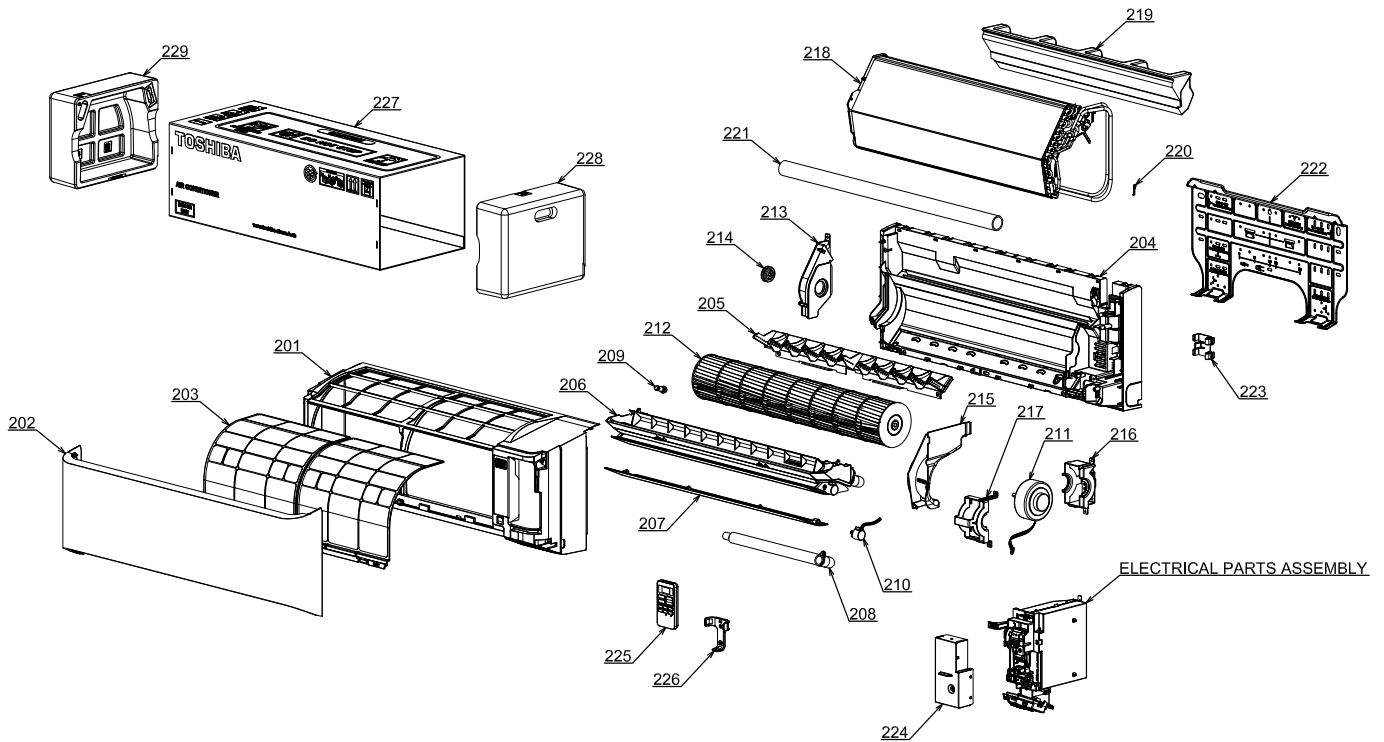
During the installation work (and on its completion), take care not to damage the coverings of the sensor leads on the edges of the metal plates or other parts. It is dangerous for these coverings to be damaged since damage may cause electric shocks and/or a fire.

CAUTION

After replacing the parts, check whether the positions where the sensors were installed are the proper positions as instructed. The product will not be controlled properly and trouble will result if the sensors have not been installed in their proper positions.

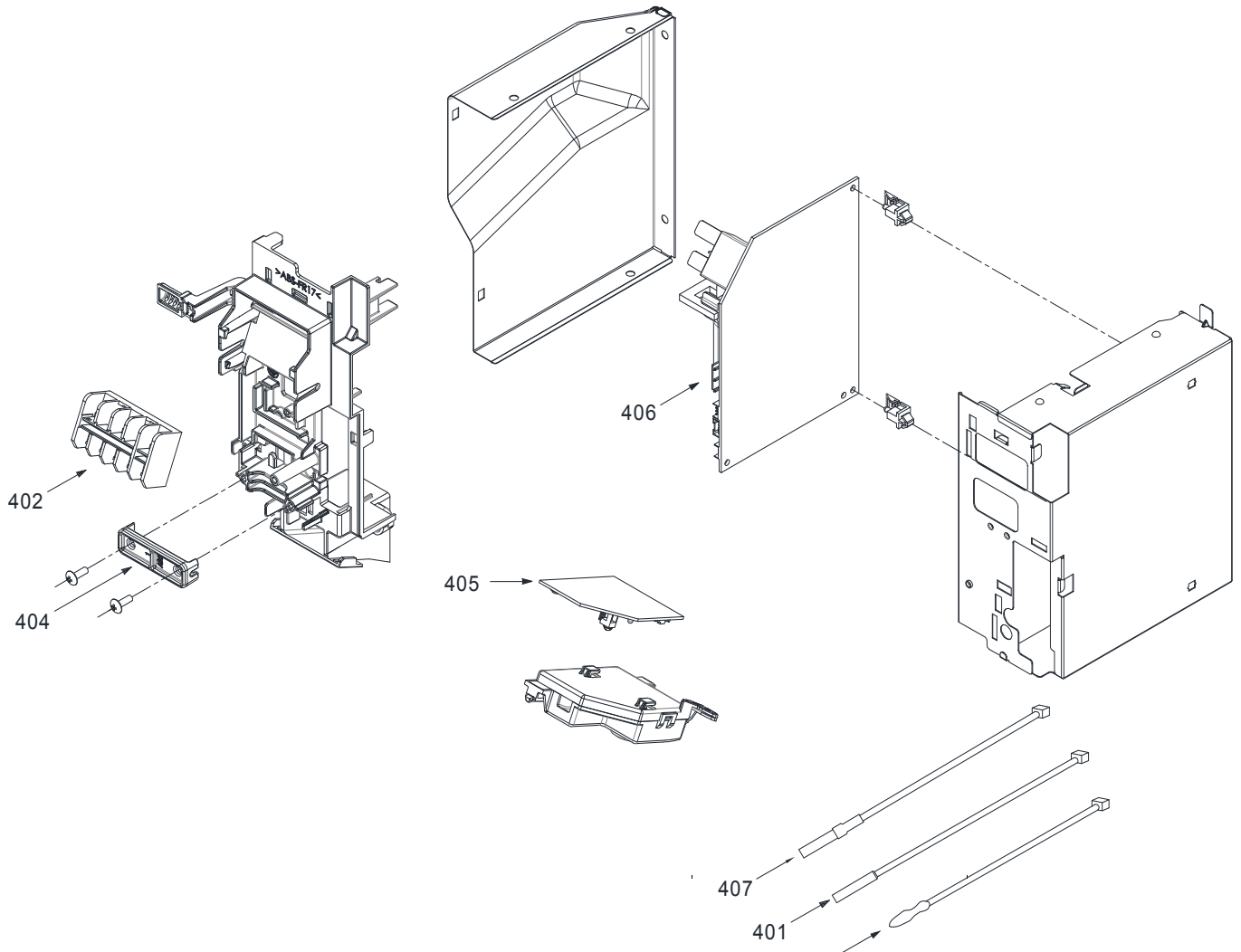
13. EXPLODED VIEWS AND PARTS LIST

13-1. Indoor Unit



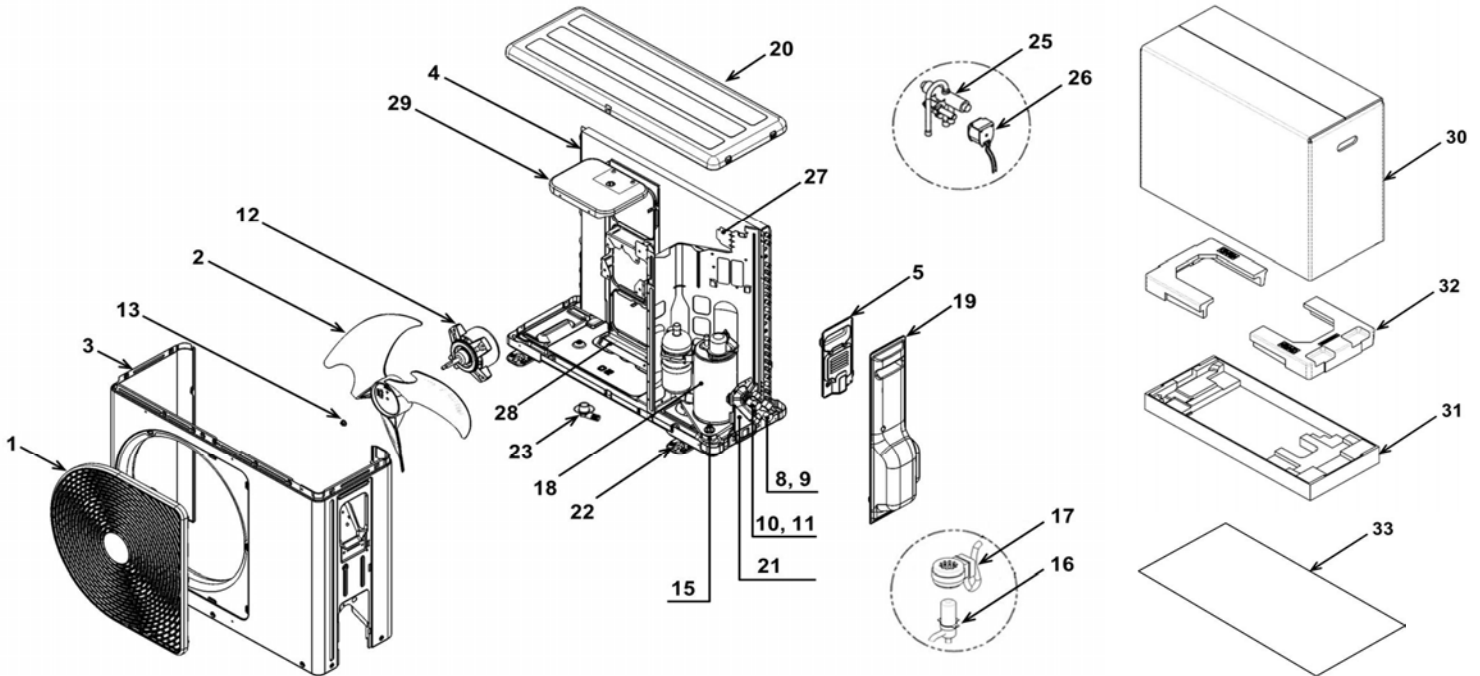
| Location No. | Part No. | Description | Location No. | Part No. | Description |
|--------------|----------|---|--------------|----------|--|
| 201 | 43T00685 | FRONT PANEL ASSY | 217 | 43T39367 | MOTOR BAND FRONT (For RAS-B16BKVG-E) |
| 202 | 43T09520 | GRILLE OF AIR INLET ASSY | 217 | 43T39369 | MOTOR BAND FRONT (For RAS-B05,07,10,13BKVG-E) |
| 203 | 43T80349 | AIR FILTER | 218 | 43T44604 | REFRIGERATION CYCLE ASSY (For RAS-B05,07BKVG-E) |
| 204 | 43T03398 | BACK BODY ASSY | 218 | 43T44605 | REFRIGERATION CYCLE ASSY (For RAS-B10,13BKVG-E) |
| 205 | 43T22343 | VERTICAL LOUVER ASSY | 218 | 43T44606 | REFRIGERATION CYCLE ASSY (For RAS-B16BKVG-E) |
| 206 | 43T72339 | DRAIN PAN ASSY (For RAS-B05,07,10,13BKVG-E) | 219 | 43T39370 | EVAPORATOR HINS SEAL (For RAS-B05,07,10,13BKVG-E) |
| 206 | 43T72340 | DRAIN PAN ASSY (For RAS-B16BKVG-E) | 220 | 43T19333 | HOLDER, SENSOR |
| 207 | 43T22345 | HORIZONTAL LOUVER | 221 | 43T49359 | PIPE, SHIELD |
| 208 | 43T70321 | DRAIN HOSE | 222 | 43T82332 | INSTALLATION PLATE |
| 209 | 43T79322 | DRAIN CAP | 223 | 43T49368 | PIPE HOLDER |
| 210 | 43T21478 | MOTOR; STEPPING | 224 | 43T62360 | TERMINAL COVER ASSY |
| 211 | 43T21462 | MOTOR FAN (For RAS-B05,07,10,13BKVG-E) | 225 | 43T6V672 | WIRELESS REMOTE CONTROL |
| 211 | 43T21480 | MOTOR FAN (For RAS-B16BKVG-E) | 226 | 43T83310 | HOLDER, REMOTE CONTROL |
| 212 | 43T20344 | CROSS FLOW FAN ASSY | 227 | 43T91305 | PACKING SLEEVE |
| 213 | 43T39365 | BASE BEARING | 228 | 43T91306 | PACKING CUSHION RIGHT |
| 214 | 43T22312 | BEARING ASSY, MOLD | 229 | 43T91307 | PACKING CUSHION LEFT |
| 215 | 43T39364 | MOTOR COVER | | | |
| 216 | 43T39366 | MOTOR BAND BACK (For RAS-B16BKVG-E) | | | |
| 216 | 43T39368 | MOTOR BAND BACK (For RAS-B05,07,10,13BKVG-E) | | | |

13-2. Indoor Unit (Part-E)



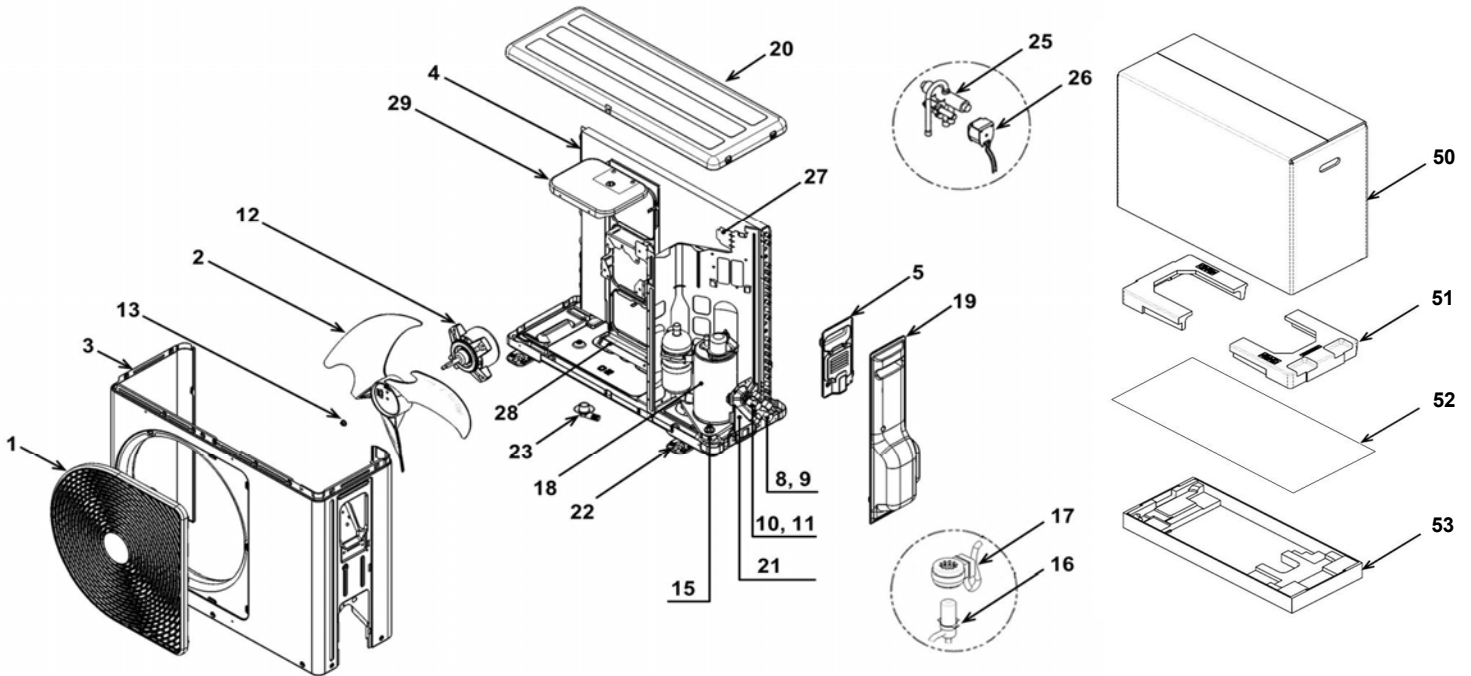
| Location No. | Part No. | Description | Location No. | Part No. | Description |
|--------------|----------|-----------------------------|--------------|----------|-----------------------------|
| 401 | 43T69319 | TEMPERATURE SENSOR | 406 | 43T6W315 | PC BOARD(FOR RAS-B07BKVG-E) |
| 402 | 43T6V673 | TERMINAL(5P-TF) | 406 | 43T6W316 | PC BOARD(FOR RAS-B10BKVG-E) |
| 403 | 43T6V674 | TEMPERATURE SENSOR | 406 | 43T6W317 | PC BOARD(FOR RAS-B13BKVG-E) |
| 404 | 43T62340 | CORD-CLAMP | 406 | 43T6W322 | PC BOARD(FOR RAS-B16BKVG-E) |
| 405 | 43T6V681 | PC BOARD ASSY:WRS-LED | 407 | 43T50306 | TEMPERATURE SENSOR |
| 406 | 43T6W302 | PC BOARD(FOR RAS-B05BKVG-E) | | | |

13-3. Outdoor Unit
RAS-05, 07BAVG-E



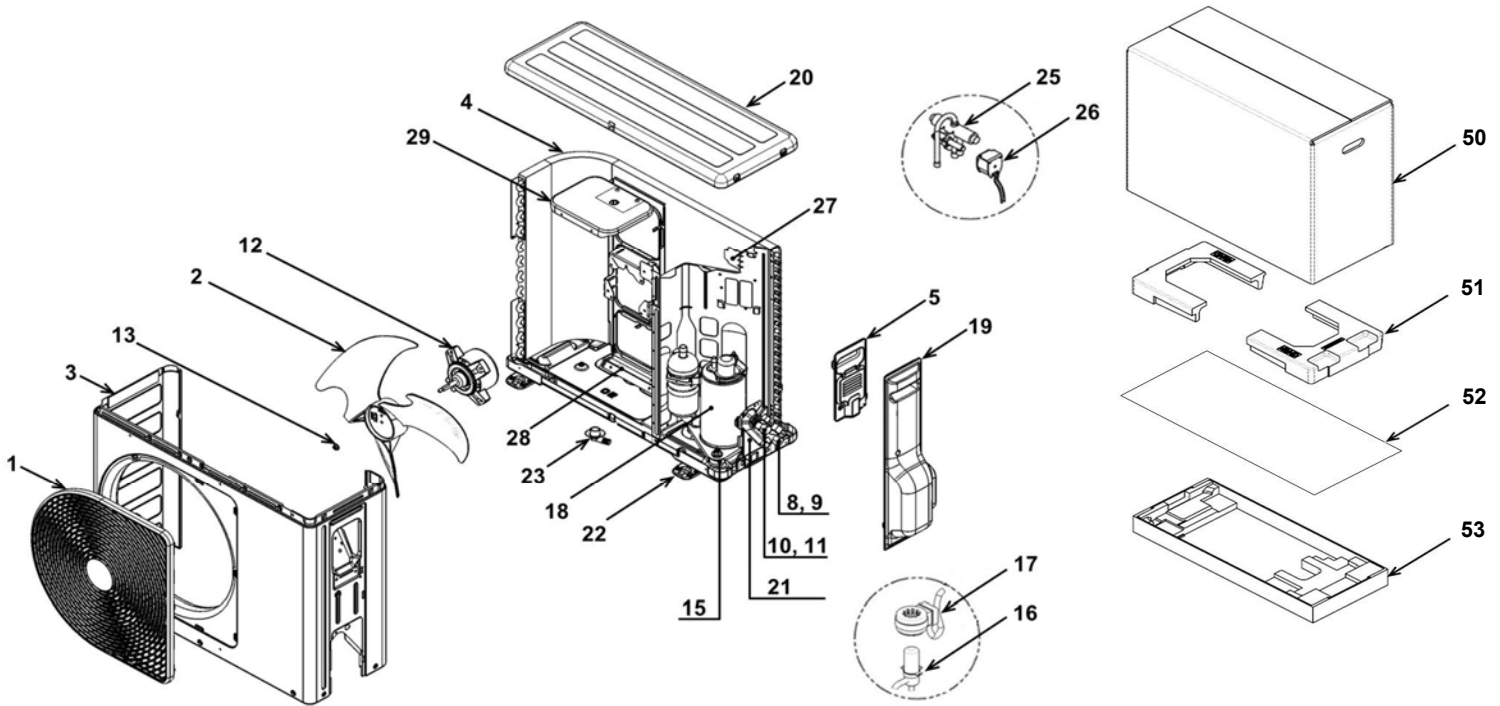
| Location No. | Part No. | Description | Location No. | Part No. | Description |
|--------------|----------|------------------------|--------------|----------|-----------------------------|
| 1 | 43T19363 | FAN GUARD | 19 | 43T19337 | PACKED VALVE COVER |
| 2 | 43T20324 | PROPELLER FAN | 20 | 43T00733 | UPPER CABINET ASSEMBLY |
| 3 | 43T00682 | FRONT CABINET ASSEMBLY | 21 | 43T00448 | FIXING PLATE VALVE |
| 4 | 43T43537 | CONDENSER ASSEMBLY | 22 | 43T42335 | BASE PLATE ASSEMBLY |
| 5 | 43T62323 | TERMINAL COVER | 23 | 43T79305 | DRAIN NIPPLE |
| 8 | 43T46436 | VALVE; PACKED 9.52 DIA | 25 | 43T46470 | 4 WAY VALVE |
| 9 | 43T47332 | BONNET, 9.52 DIA | 26 | 43T63361 | 4 WAY VALVE COIL |
| 10 | 43T46435 | VALVE; PACKED 6.35 DIA | 27 | 43T04325 | PARTITION ASSEMBLY |
| 11 | 43T47331 | BONNET, 6.35 DIA | 28 | 43T39325 | MOTOR BASE |
| 12 | 43T21460 | FAN MOTOR | 29 | 43T39334 | MOTOR BASE CONNECTION PLATE |
| 13 | 43T47001 | NUT FLANGE | 30 | 43T91310 | CARTON BOX |
| 15 | 43T49327 | CUSHION,RUBBER | 31 | 43T91303 | ASM-FBBD-UD |
| 16 | 43T46469 | BODY PMV | 32 | 43T91302 | CUSHION-PKG-UPR |
| 17 | 43T63360 | COIL PMV | 33 | 43T91301 | PE SHEET |
| 18 | 43T41525 | COMPRESSOR | | | |

13-4. Outdoor Unit
RAS-10BAVG-E1



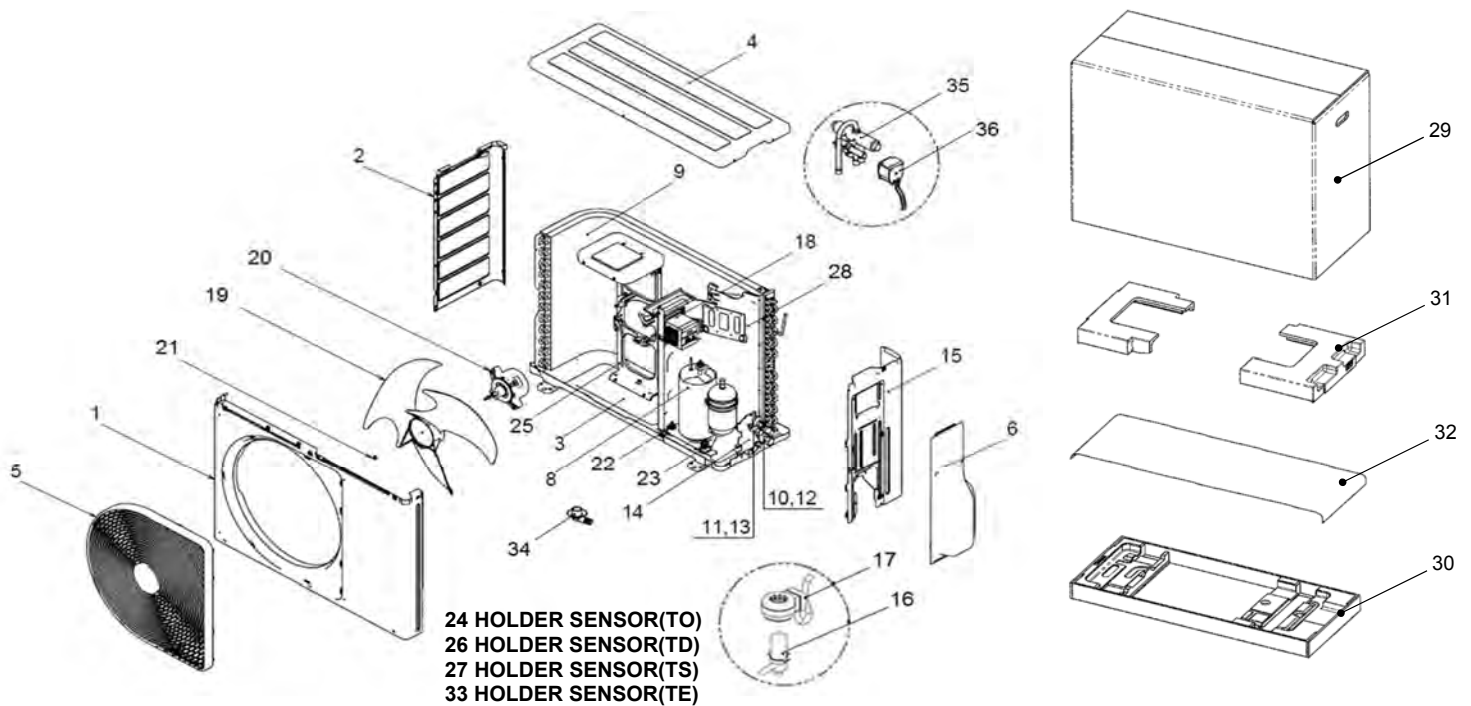
| Location No. | Part No. | Description | Location No. | Part No. | Description |
|--------------|----------|------------------------|--------------|----------|-----------------------------|
| 1 | 43T19363 | FAN GUARD | 19 | 43T19337 | PACKED VALVE COVER |
| 2 | 43T20324 | PROPELLER FAN | 20 | 43T00733 | UPPER CABINET ASSEMBLY |
| 3 | 43T00682 | FRONT CABINET ASSEMBLY | 21 | 43T00448 | FIXING PLATE VALVE |
| 4 | 43T43537 | CONDENSER ASSEMBLY | 22 | 43T42335 | BASE PLATE ASSEMBLY |
| 5 | 43T62323 | TERMINAL COVER | 23 | 43T79305 | DRAIN NIPPLE |
| 8 | 43T46436 | VALVE; PACKED 9.52 DIA | 25 | 43T46470 | 4 WAY VALVE |
| 9 | 43T47332 | BONNET, 9.52 DIA | 26 | 43T63361 | 4 WAY VALVE COIL |
| 10 | 43T46435 | VALVE; PACKED 6.35 DIA | 27 | 43T04325 | PARTITION ASSEMBLY |
| 11 | 43T47331 | BONNET, 6.35 DIA | 28 | 43T39325 | MOTOR BASE |
| 12 | 43T21375 | FAN MOTOR | 29 | 43T39334 | MOTOR BASE CONNECTION PLATE |
| 13 | 43T47001 | NUT FLANGE | 50 | 43T91310 | CARTON BOX |
| 15 | 43T49327 | CUSHION,RUBBER | 51 | 43T91302 | CUSHION-PKG-UPR |
| 16 | 43T46469 | BODY PMV | 52 | 43T91301 | PE SHEET |
| 17 | 43T63360 | COIL PMV | 53 | 43T91303 | ASM-FBBRD-UD |
| 18 | 43T41525 | COMPRESSOR | | | |

**13-5. Outdoor Unit
RAS-13BAVG-E1**



| Location No. | Part No. | Description | Location No. | Part No. | Description |
|--------------|----------|------------------------|--------------|----------|-----------------------------|
| 1 | 43T19363 | FAN GUARD | 19 | 43T19337 | PACKED VALVE COVER |
| 2 | 43T20324 | PROPELLER FAN | 20 | 43T00733 | UPPER CABINET ASSEMBLY |
| 3 | 43T00683 | FRONT CABINET ASSEMBLY | 21 | 43T00448 | FIXING PLATE VALVE |
| 4 | 43T43544 | CONDENSER ASSEMBLY | 22 | 43T42335 | BASE PLATE ASSEMBLY |
| 5 | 43T62323 | TERMINAL COVER | 23 | 43T79305 | DRAIN NIPPLE |
| 8 | 43T46436 | VALVE; PACKED 9.52 DIA | 25 | 43T46470 | 4 WAY VALVE |
| 9 | 43T47332 | BONNET, 9.52 DIA | 26 | 43T63361 | 4 WAY VALVE COIL |
| 10 | 43T46435 | VALVE; PACKED 6.35 DIA | 27 | 43T04325 | PARTITION ASSEMBLY |
| 11 | 43T47331 | BONNET, 6.35 DIA | 28 | 43T39325 | MOTOR BASE |
| 12 | 43T21375 | FAN MOTOR | 29 | 43T39334 | MOTOR BASE CONNECTION PLATE |
| 13 | 43T47001 | NUT FLANGE | 50 | 43T91310 | CARTON BOX |
| 15 | 43T49327 | CUSHION,RUBBER | 51 | 43T91302 | CUSHION-PKG-UPR |
| 16 | 43T46469 | BODY PMV | 52 | 43T91301 | PE SHEET |
| 17 | 43T63360 | COIL PMV | 53 | 43T91303 | ASM-FBBD-UD |
| 18 | 43T41525 | COMPRESSOR | | | |

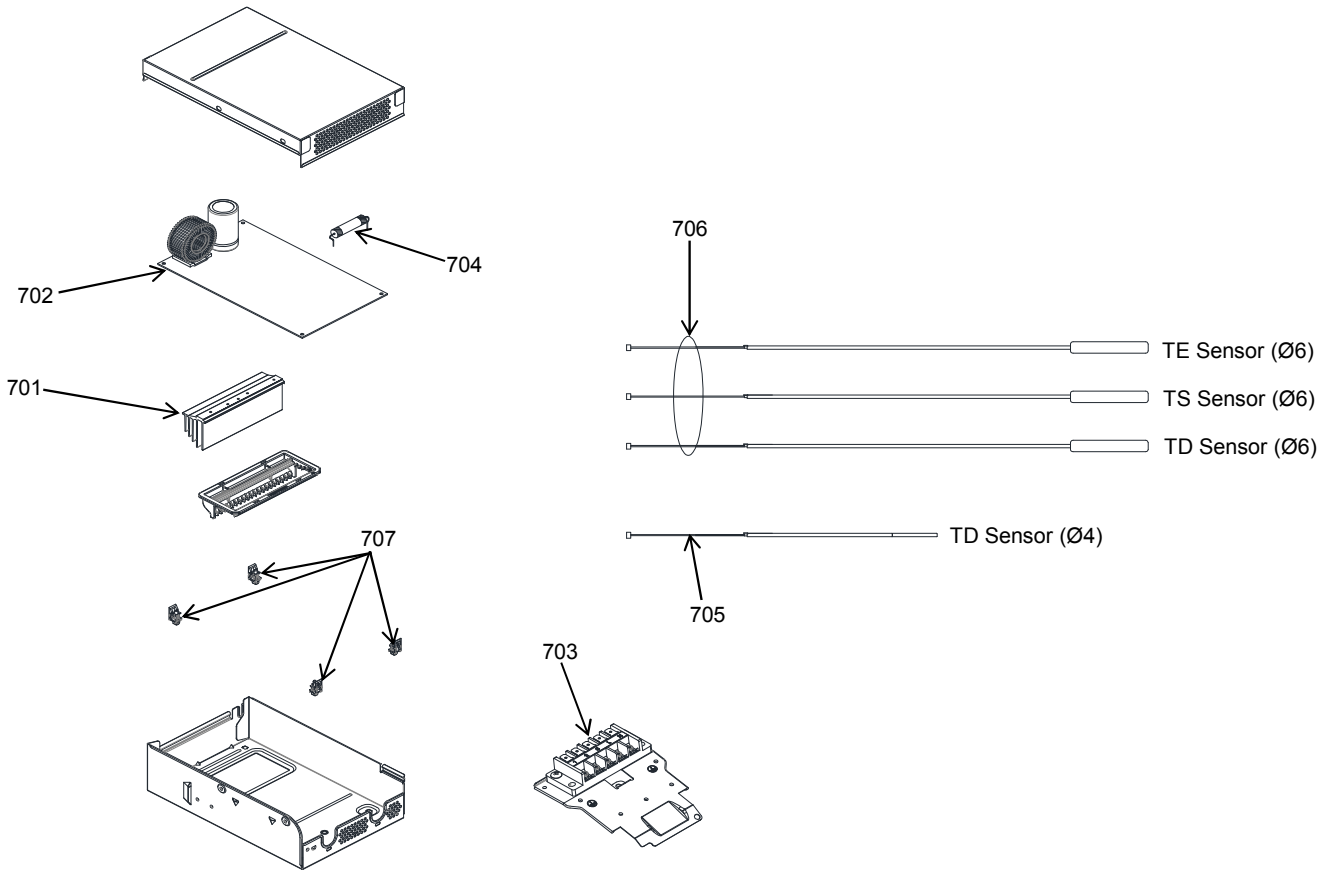
**13-6. Outdoor Unit
RAS-16BAVG-E**



| Location No. | Part No. | Description | Location No. | Part No. | Description |
|--------------|----------|-----------------------------|--------------|----------|-----------------------------|
| 1 | 43T00688 | FRONT CABINET ASSEMBLY | 20 | 43T21460 | FAN MOTOR |
| 2 | 43T00459 | LEFT CABINET | 21 | 43T47001 | NUT FLANGE |
| 3 | 43T42327 | BASE PLATE ASSEMBLY | 22 | 43T97001 | NUT |
| 4 | 43T00735 | UPPER CABINET ASSY | 23 | 43T49335 | RUBBER CUSHION |
| 5 | 43T19364 | FAN GUARD | 24 | 43T63319 | HOLDER,SENSOR |
| 6 | 43T00691 | PACKED VALVE COVER ASSEMBLY | 25 | 43T39333 | MOTOR BASE CONNECTION PLATE |
| 8 | 43T41500 | COMPRESSOR | 26 | 43T63317 | HOLDER,SENSOR |
| 9 | 43T43543 | CONDENSOR ASSEMBLY | 27 | 43T63316 | HOLDER,SENSOR |
| 10 | 43T46435 | VALVE; PACKED 6.35 DIA | 28 | 43T04331 | PARTITION ASSEMBLY |
| 11 | 43T46461 | VALVE; PACKED 12.7 DIA | 29 | 43T91312 | CARTON BOX |
| 12 | 43T47331 | BONNET, 6.35 DIA | 30 | 43T91309 | ASM-FBBD-UD |
| 13 | 43T47333 | BONNET, 12.70 DIA | 31 | 43T91314 | CUSHION-PKG-UPR |
| 14 | 43T00448 | FIXING PLATE VALVE | 32 | 43T91301 | PE SHEET |
| 15 | 43T00690 | RIGHT CABINET ASSEMBLY | 33 | 43T63318 | HOLDER SENSOR |
| 16 | 43T46469 | BODY PMV | 34 | 43T79305 | DRAIN NIPPLE |
| 17 | 43T63360 | COIL PMV | 35 | 43T46470 | 4 WAY VALVE |
| 18 | 43T58306 | REACTOR | 36 | 43T63361 | 4 WAY VALVE COIL |
| 19 | 43T20319 | PROPELLER FAN | | | |

13-7. Outdoor Unit (Part-E)

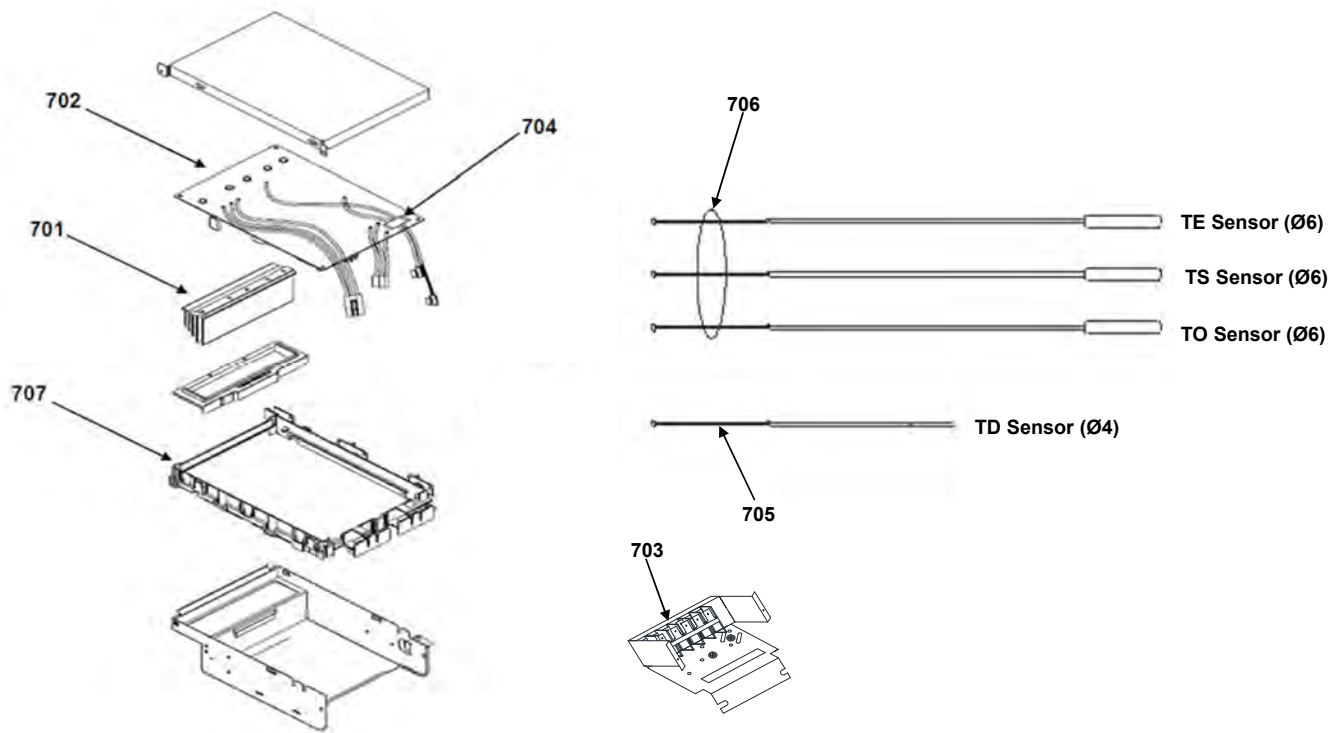
RAS-05, 07BAVG-E
RAS-10, 13BAVG-E1



| Location No. | Part No. | Description | Location No. | Part No. | Description |
|--------------|----------|-----------------------------|--------------|----------|-----------------------|
| 701 | 43T67306 | HEATSINK | 704 | 43T60459 | FUSE |
| 702 | 43T6V748 | PC BOARD(FOR RAS-05BAVG-E) | 705 | 43T60465 | TEMPERATURE SENSOR |
| 702 | 43T6V752 | PC BOARD(FOR RAS-07BAVG-E) | 706 | 43T50304 | SENSOR;HEAT EXCHANGER |
| 702 | 43T6V911 | PC BOARD(FOR RAS-10BAVG-E1) | 707 | 43T95304 | SPACER-KGES |
| 702 | 43T6V912 | PC BOARD(FOR RAS-13BAVG-E1) | | | |
| 703 | 43T60392 | TERMINAL-5P | | | |

**13-8. Outdoor Unit (Part-E)
RAS-16BAVG-E**

FILE NO. SVM-18006



| Location No. | Part No. | Description |
|--------------|----------|-------------|
| 701 | 43T62351 | HEATSINK |
| 702 | 43T6V746 | PC BOARD |
| 703 | 43T60392 | TERMINAL-5P |
| 704 | 43T60326 | FUSE |

| Location No. | Part No. | Description |
|--------------|----------|-----------------------|
| 705 | 43T60465 | TEMPERATURE SENSOR |
| 706 | 43T60304 | SENSOR;HEAT EXCHANGER |
| 707 | 43T62313 | BASE-PLATE-PC |

Toshiba Carrier (Thailand) Co., Ltd.

**144/9 MOO 5, BANGKADI INDUSTRIAL PARK, TIVANON ROAD, TAMBOL BANGKADI,
AMPHUR MUANG, PATHUMTHANI 12000, THAILAND.**