

RBC-SMCN61 Indoor ON/OFF and Remote Controller ON/OFF Lock Lead

Description and Contents

The lead will allow the Indoor unit to be switched on or off by a volt free contact the on off function of the remote to be locked in the on or off position by a volt free contact.

Contents: Lead with Connector

Installation and Operating Instructions

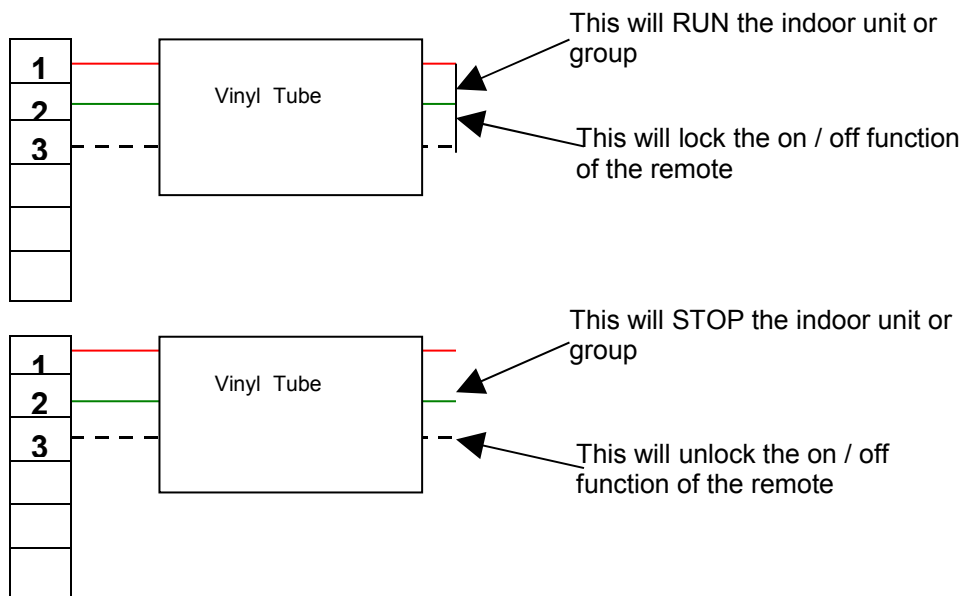
Installation

The interface lead must be plugged into the CN61 connector on the indoor unit PCB. If the units are grouped the lead should be connected to the master unit.

The Jumper JO1 is to re cut to enable the ON/OFF.

When the Red and Green leads are linked the indoor unit will Run when the link is broken the unit will Stop.

When the Green and White leads are linked the on/off button is locked in the on or off status. The operation of the on / off function will not be permitted by the button on the remote controller, whilst the leads are connected together.



For Technical Information Contact

TOSHIBA Air Conditioning

Tel: 0870 8430333