

MML-UP_BH CONCEALED CONSOLE



This slim unit is designed to easily fit into a compact space and to perfectly integrate itself behind a decorative panel. This is the ideal unobtrusive solution that blends into any interior

OUTDOOR UNITS COMPATIBILITY



Side Blow & Mini SMMS-e SMMS-u SMMS-e SHRM-e

LOCAL CONTROLS



RBC-AXU31-E RBC-ASCU11-E
RBC-AMTU31-E RBC-AMSU51-EN/ES

CAPACITY SOUND PRESSURE LEVEL



0.8 HP < 2.5 HP



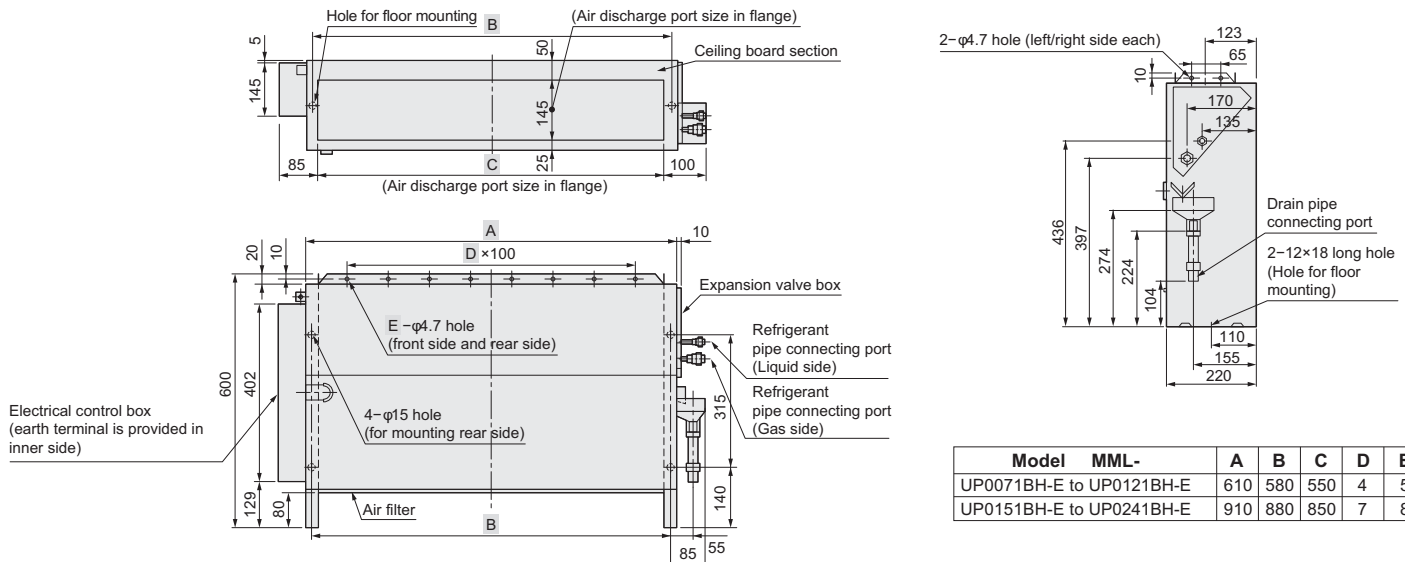
32dB(A)

Features

Model name	MML-	UP0071BH-E	UP0091BH-E	UP0121BH-E	UP0151BH-E	UP0181BH-E	UP0241BH-E	
Capacity code	HP	0.8	1	1.3	1.7	2	2.5	
Cooling capacity	kW	2,2	2,8	3,8	4,5	5,6	7,1	
Heating capacity	kW	2,5	3,2	4	5	6,3	8	
Power supply		1 phase 50Hz 200-240V / 1 phase 60Hz 220V (Separate power supply for indoor units is required.)						
Electrical characteristics	Running current	A	50 Hz		60 Hz			
			0,25	0,27	0,45	0,46	0,46	0,51
	Power consumption H/L	kW	50 Hz		60 Hz			
			0,056/0,039	0,058/0,041	0,090/0,062	0,096/0,068	0,095/0,067	0,110/0,071
	Power factor	50 Hz	60 Hz					
97		98	87	95	90	98		
Starting current	A	0,60		0,80		1,00		
Appearance		Zinc hot dipping steel plate						
Dimensions	HxLxP	mm			600x745x220			600x1075x220
Weight	kg	21			29			
Heat exchanger		Finned tube						
Soundproof/Heat-insulating material		Non-flammable insulation						
Fan unit	Fan	Centrifugal fan						
	Standard air flow (High/Mid./Low)	m ³ /h	460 / 400 / 300		740 / 600 / 490		950 / 790 / 640	
	Motor output	W	19		70			
	Static pressure	Pa	0					
Air filter		Standard filter (Simple feter)						
Controller		Remote controller						
Connecting pipe	Gas side	inch	3/8"	3/8"	3/8"	1/2"	1/2"	5/8"
	Liquid side	inch	1/4"	1/4"	1/4"	1/4"	1/4"	3/8"
	Drain port (Nominal dia.)	mm	20 (One side of male screw)					
Sound pressure level (High/Mid./Low)	dB(A)	36 / 34 / 32			42 / 37 / 33			
Sound power level (High)	dB(A)	54			60			

Drawings

Unit: mm

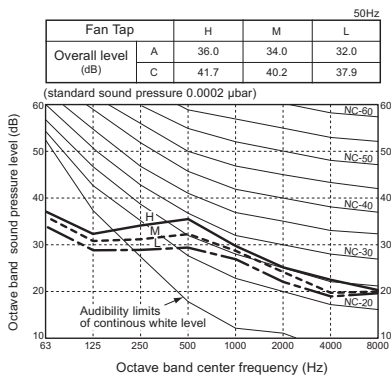


Model	MML-	A	B	C	D	E
UP0071BH-E to UP0121BH-E		610	580	550	4	5
UP0151BH-E to UP0241BH-E		910	880	850	7	8

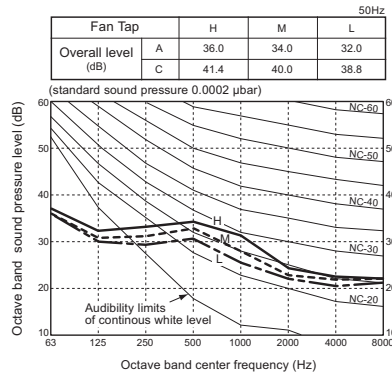
Sound pressure levels

Unit: dB(A)

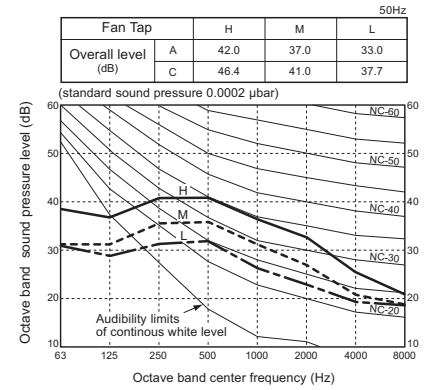
MML-UP0071BH-E to MML-UP0121BH-E



MML-UP0151BH-E, MML-UP0181BH-E



MML-UP0241BH-E



Concealed chassis embedded connectors

CN32	CN60	CN61	CN70	CN73	CN80
Additional ventilation control from remote control	Operation status signal output (cooling, heating, fan, defrost, thermo-on)	External On/Off, operation output and alarm output	Warning symbol on remote control based on signal input. No IDU thermo off.	Forced IDU thermo-off based on signal input	Forced IDU thermo-off and IDU lock based on signal input
•	•	•	•	•	•