

MMC-UP_HP UNDER CEILING



The simple, yet elegant design helps to create a pleasant and relaxing environment, quickly conditioning the room air to the desired temperature.

CAPACITY
↑
1.7 HP > 6 HP

SOUND PRESSURE LEVEL
🔊
28 dB(A)

OUTDOOR UNITS COMPATIBILITY



Side Blow & Mini SMMS-e SMMS-u SMMS-e SHRM-e

LOCAL CONTROLS



RBC-AXU31-E RBC-AXU31C-E RBC-AMTU31-E RBC-AMTU31C-E RBC-AMSU51-EN/ES

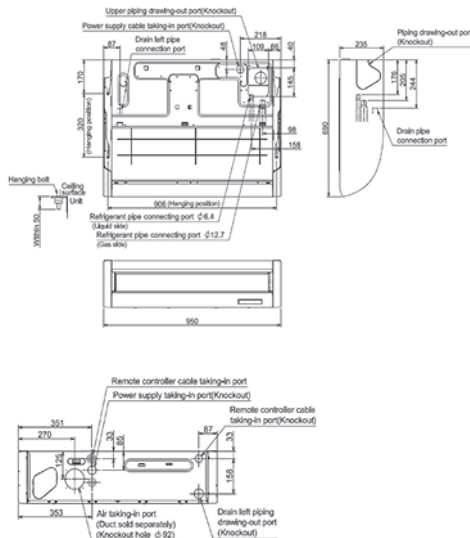
Features

Model name	MMC-	UP0151HP-E	UP0181HP-E	UP0241HP-E	UP0271HP-E	UP0361HP-E	UP0481HP-E	UP0561HP-E	
Capacity code	HP	1,7	2	2,5	3	4	5	6	
Cooling capacity	kW	4,5	5,6	7,1	8	11,2	14	16	
Heating capacity	kW	5	6,3	8	9	12,5	16	18	
Electrical characteristics	Power supply	kW							1 phase 50Hz 230V (220-240V) / 1 phase 60Hz 220V
	Running current (50/60 Hz)	A	0.36/0.37	0.37/0.38	0.65/0.67	0.65/0.67	0.77/0.80	0.77/0.80	0.99/1.02
	Power consumption H/L	kW	0.033/0.014	0.034/0.014	0.067/0.018	0.067/0.018	0.083/0.024	0.083/0.031	0.111/0.035
	Starting current (50/60 Hz)	A	0.54/0.55	0.55/0.57	0.97/1.00	0.97/1.00	1.16/1.20	1.16/1.20	1.49/1.53
Appearance		Pure White (Munsell N9.1)							
Dimensions	HxLxP	mm	235x950x690		235x1270x690		235x1586x690		
Total weight	kg		23		29		35		
Heat exchanger		Finned tube							
Soundproof/Heat-insulating material		Polyethylene foam							
Fan unit		Centrifugal fan (Sirocco fan)							
Standard air flow	High	m ³ /h	840	960	1440	1440	1860	1860	2040
	Mid.	m ³ /h	690	720	1020	1020	1350	1530	1650
	Low	m ³ /h	540	540	750	750	1020	1200	1260
Motor output	W	94							
Sound pressure level (High/Mid/Low)	dB(A)	36/34/28	37/35/28	41/36/29	41/36/29	44/38/32	44/41/35	46/42/36	
Sound power level (High)	dB(A)	51	52	56	56	59	59	61	
Air filter		Standard filter (Long life filter)							
Controller		Remote controller							
Room thermostat		Attached							
Connecting pipe	Gas side	inch	1/2"	1/2"	5/8"	5/8"	5/8"	5/8"	5/8"
	Liquid side	inch	1/4"	1/4"	3/8"	3/8"	3/8"	3/8"	3/8"
	Drain port	mm	20 (Polyvinyl chloride tube)						

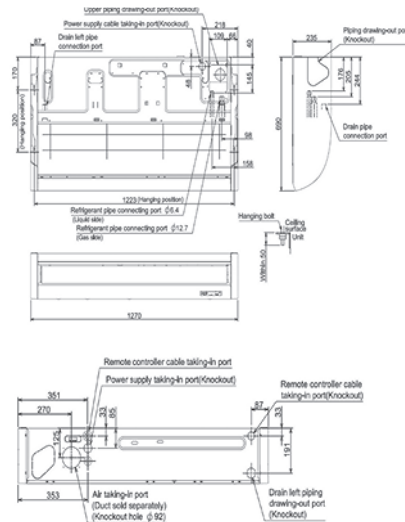
Drawings

Unit: mm

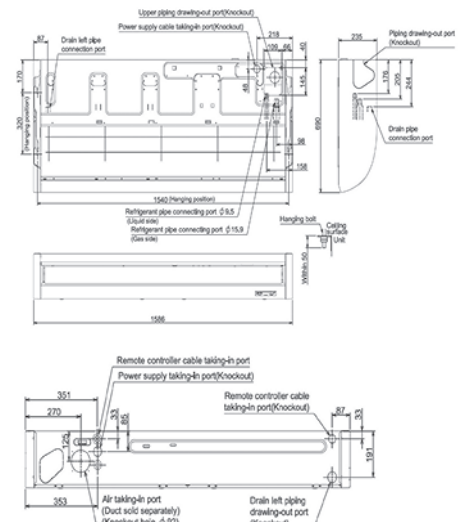
MMC-UP0151HP-E, MMC-UP0181HP-E



MMC-UP0241HP-E, MMC-UP0271HP-E



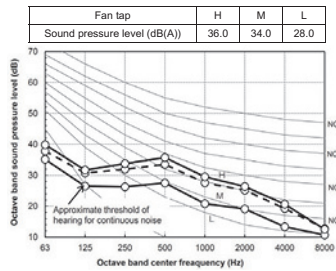
MMC-UP0361HP-E to MMC-UP0561HP-E



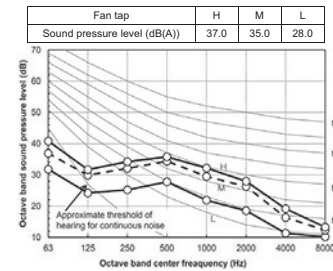
Sound pressure levels

Unit: dB(A)

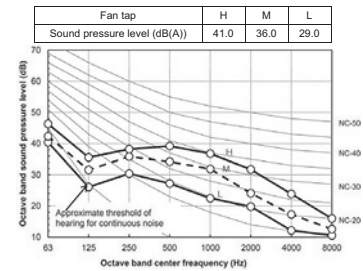
MMC-UP0151HP-E



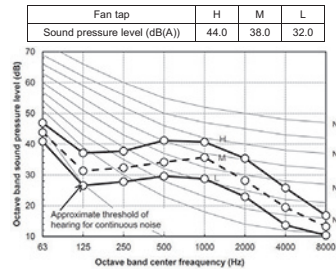
MMC-UP0181HP-E



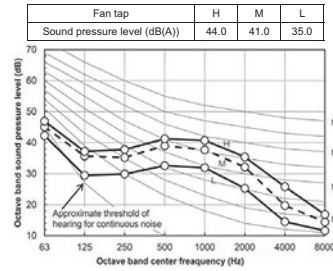
MMC-UP0241HP-E, MMC-UP0271HP-E



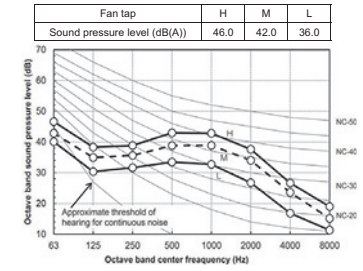
MMC-UP0361HP-E



MMC-UP0481HP-E



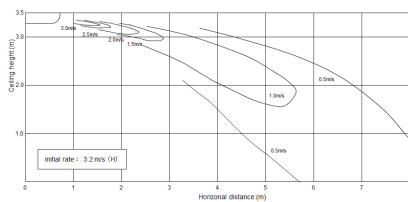
MMC-UP0561HP-E



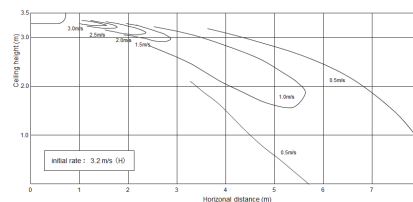
Air diffusion

Unit: m/s

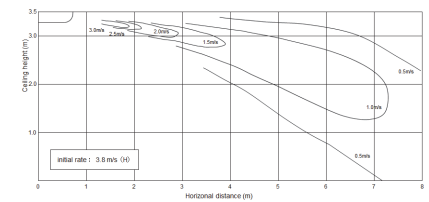
MMC-UP0151HP-E
Cooling



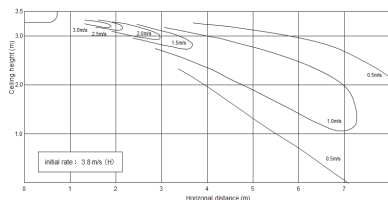
MMC-UP0181HP-E
Cooling



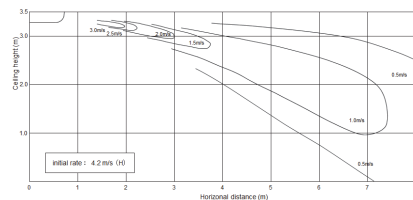
MMC-UP0241HP-E, MMC-UP0271HP-E
Cooling



MMC-UP0361HP-E, MMC-UP0481HP-E
Cooling

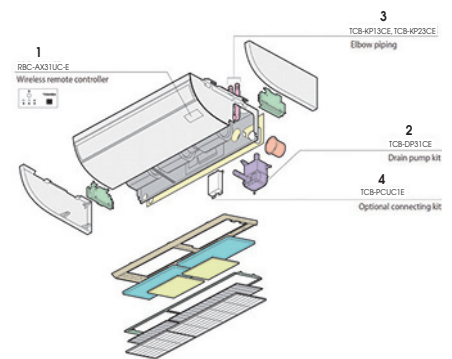


MMC-UP0561HP-E
Cooling



Accessories

No	Part name	Model name	Applied model	Feature	Remark
1	Wireless Remote Controller kit	RBC-AXU31C-E	MMC-UP0151 to 0561HP-E	-	
2	Drain pump kit	TCB-DP31CE	MMC-UP0151 to 0561HP-E	Antibacterial glass is built into drain pump kit	
3	Elbow piping kit	TCB-KP14CPE	MMC-UP0151 to 0181HP-E	It is necessary for installation of drain pump kit	Use with TCB-DP31CE
		TCB-KP24CPE	MMC-UP0241 to 0561HP-E		
4	Option connecting kit	TCB-PCUC2E	MMC-UP0151 to 0561HP-E	For external I/O signal without local relay preparation	



Ceiling connectors

CN32	CN60	CN61	CN70	CN73	CN80
Additional ventilation control from remote control	Operation status signal output (cooling, heating, fan, defrost, thermo-on)	External On/Off, operation output and alarm output	Warning symbol on remote control based on signal input. No IDU thermo off.	Forced IDU thermo-off based on signal input	Forced IDU thermo-off and IDU lock based on signal input
•	TCB-PCUC2E pcb needed	•	TCB-PCUC2E pcb needed	TCB-PCUC2E pcb needed	TCB-PCUC2E pcb needed