

TOSHIBA INSTALLATION MANUAL

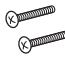
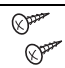

Wired Remote Controller

Model: HWS-AMSU51-E

CAUTION

For the details, refer to the installation manual of hydro unit.

Accessory Parts

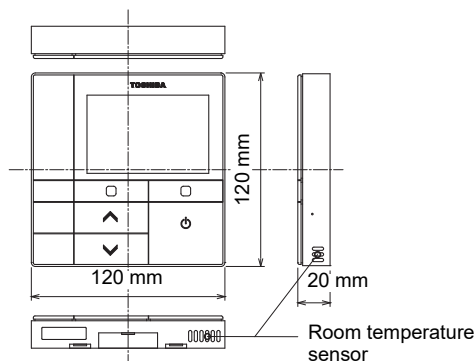
No.	Part name	Quantity
(1)	Screws M4 x 20 	2
(2)	Wood screws M3.8 x 16 	2
(3)	Installation Manual (This manual) 	1

Installation

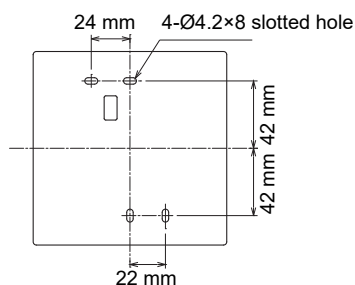
■ Requirements to install the remote controller

◆ Installation place

- Install the remote controller at a height of 1 to 1.5 m from the floor so that the average temperature in the room can be detected.
- Do not install the remote controller in a place exposed to direct sunlight or direct outside air, such as the side of a window.
- Do not install the remote controller in a place behind something or to the rear side of an object, where air flow is not sufficient.
- Do not install the remote controller in a freezing box or refrigerator, as the remote controller is not waterproof.
- Install the remote controller vertically to the wall.



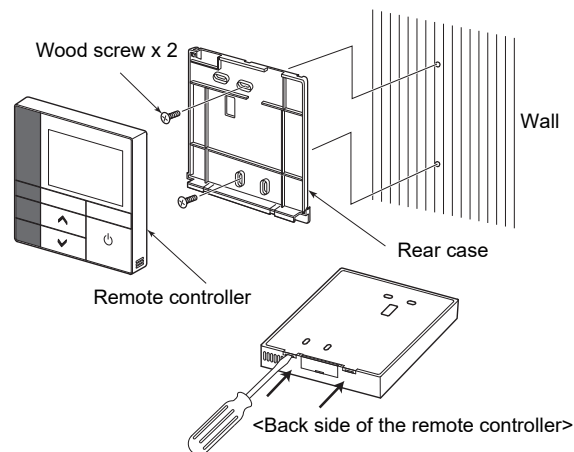
◆ Installation dimension



■ Install the remote controller

NOTE

- Wiring for the remote controller should not be bundled or installed in the same conduit with a power cable.; otherwise, malfunction may result.
- Install the remote controller away from sources of electrical interference and electromagnetic fields.



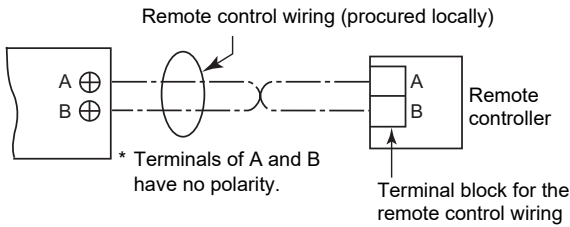
- 1** Insert a flat-blade screwdriver into the groove on the back side of the remote controller to remove the rear case.
- 2** Use the wood screws (2 pieces) supplied with the remote controller to attach the rear case of the remote controller to the wall. Do not use an electrical screwdriver. Do not over-tighten the screw (Tightening torque is up to 2 kg / f·cm.); otherwise, the rear case may be damaged.
- 3** Connect the electrical wire from the hydro unit to the terminal block of remote controller. (Refer to “■ Wire the remote controller”.) Check the terminal number of electrical wire from the hydro unit to avoid miswiring. (If AC 220-240 V is applied, the remote controller and hydro unit will break down.)

Wiring

■ Wire the remote controller

Wiring diagram

Terminal block (TB04) for the remote control wiring on the hydro unit



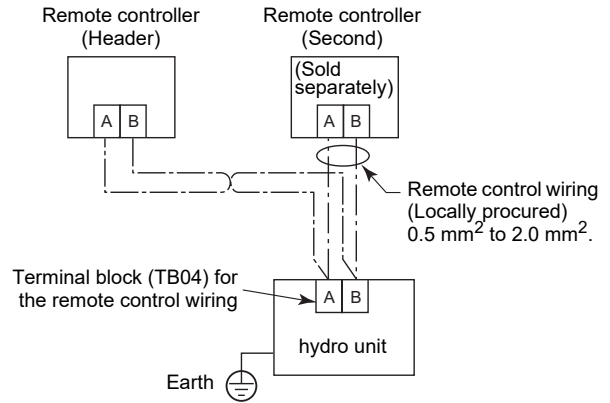
- * Use wire of 0.5 mm² to 2.0 mm².
- * A crimp-style terminal cannot be used.

Basic wiring diagram

NOTE

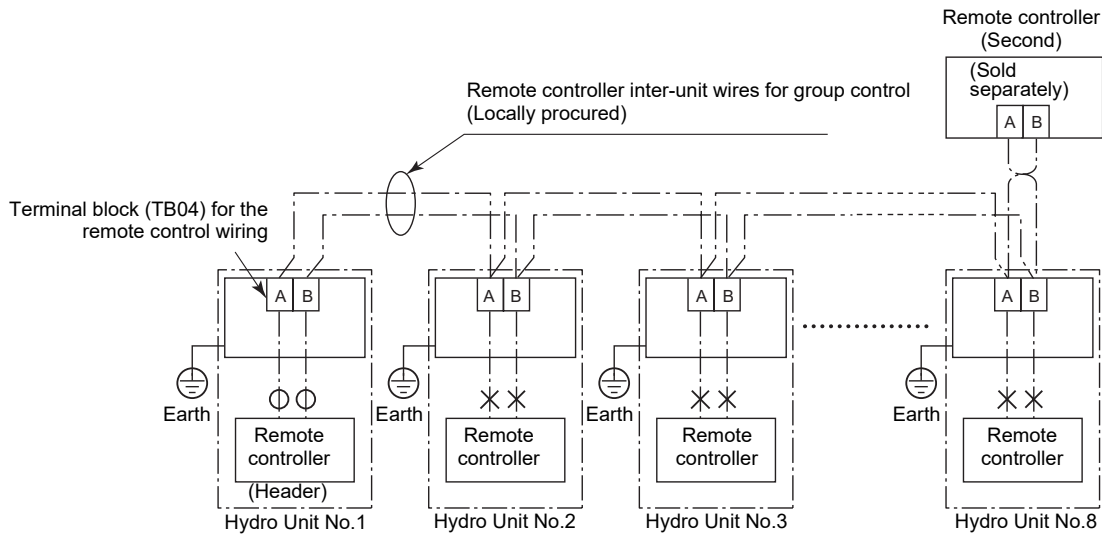
Terminals of A and B have no polarity.

To diverge from the hydro unit



To operate a group control of multiple hydro units by two remote controllers

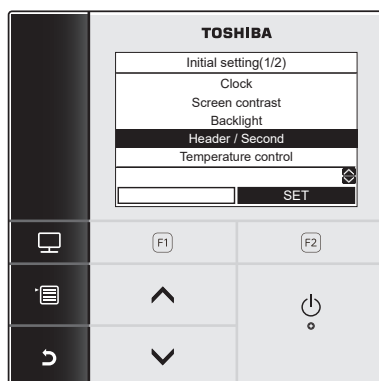
- * The Header or Second remote controller can be connected to any hydro unit.
- * For the details, refer to the installation manual of hydro unit.



Hydro Unit	No.1	No.2-8
wiring of remote controller	○	×

○: connected, ×: disconnected

Initial setting



- Set the remote controller as “Header remote controller” or “Second remote controller” when the dual remote controller system is used. (The remote controllers are set as “Header remote controller” as factory default.)
- For the details, refer to the installation manual of hydro unit.