

# TOSHIBA Installation Manual

To installation personnel - Electrical work and service

## Remote sensor

Model:  
**TCB-TC41U-E**

### Accessory parts

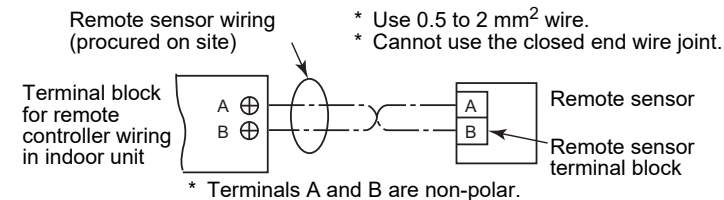
No.	Part Name	Q'ty	No.	Part Name	Q'ty
1	Remote sensor	1	3	Wood screw	2
2	Screw M4 x 20	2	4	Installation Manual	1

### Remote sensor installation place requirements

- Do not install the remote sensor in a place where it will be exposed to direct sunlight or outside air (near a window or the like).
- Install the remote sensor at a height of 1 to 1.5 m from the floor.
- Do not install the remote sensor behind obstacles, where it cannot detect the room temperature.
- Install the remote sensor only in the room to be air-conditioned.
- Install the remote sensor vertically on the wall or the like.
- Do not install the remote sensor in a place where it will be exposed to the direct discharge air from the air conditioner.
- Do not install the remote sensor on a wall whose temperature greatly differs from the room temperature.

### How to wire the remote sensor

#### ■ Connection diagram



**NOTE 1:**The remote sensor wire should not be bundled with other wires (mains, etc.), or installed with other wires in the same conduit, as malfunction may result.

**NOTE 2:**Install the remote sensor away from sources of electrical interference and electromagnetic fields.

**NOTE 3:**If electrical interference is unavoidable, countermeasures such as appropriate filtering should be employed.

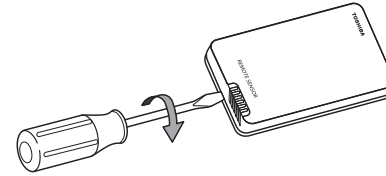
### Remote Controller Wiring

Connection devices	Type	Q'ty	Size total length		Polarity	Others
			Indoor A/B Terminal - Remote controller Terminal			
			Up to 200 m	Up to 300 m		
Remote controller wiring (Indoor to Remote Controller wiring and remote sensor wiring)	Shield wire	2 cores	IN CASE OF INCLUDING WIRELESS	IN CASE OF ONLY WIRED	Non Polarity	Locally procured
			Up to 200 m total length of control wiring between indoor units			
			0.5 to 2.0 mm <sup>2</sup>			

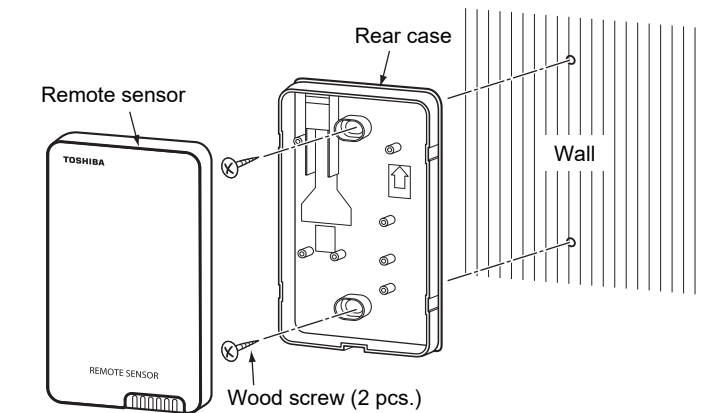
### How to install the remote sensor

#### ■ Installation procedure

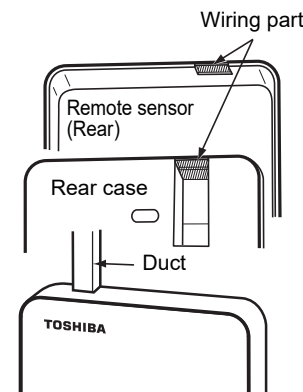
- Insert a flat head screw driver or the like into the slot at the bottom of the remote sensor, and twist it to remove the rear case.
- Secure the rear case on a wall or the like using the supplied wood screws (2 pcs). (Overtightening may damage the rear case or LCD.)
- Wire the remote sensor after checking the connector No. (A, B) of the indoor unit to prevent miswiring. (Applying 208 – 240 V AC causes damage.)
- Attach the remote sensor to the rear case by fitting its hooks into the slits of the rear case.



#### ■ Installing the remote sensor on the wall



- Cut the wiring parts (shaded) at the top of the remote sensor and rear case using a knife, nipper, or the like.
- Protect the wires with the wire cover.



**NOTE 1:**Leave a distance of at least 30 mm around the remote sensor.

### Combination remote controller installation requirements

#### ■ How to install

- Set the remote controller as the header. (The factory default setting is header.)
- Set the room temperature sensor settings of the remote controller to the factory default settings on the indoor unit side.

#### ■ Basic wiring diagram

- Controlling one indoor unit from a remote sensor and remote controller

