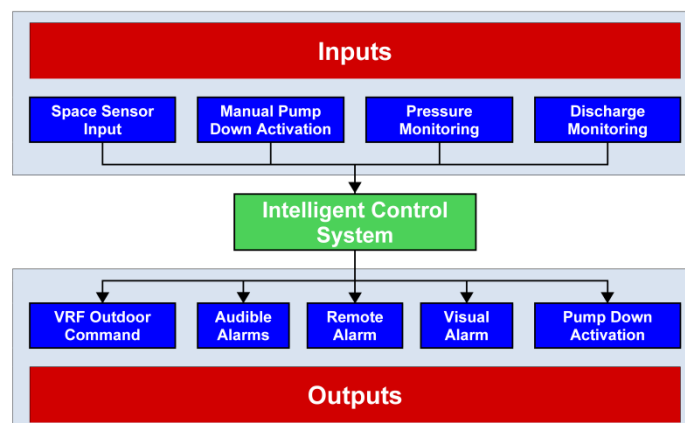


Refrigerant Monitoring

RBC-RD7 Leak Detection Panel



Original instruction

ADOPTION OF NEW REFRIGERANT

This Air Conditioner uses R410A an environmentally friendly refrigerant.

Contents

| | | |
|---|---|----|
| 1 | Precautions for safety | 5 |
| 2 | Installation of new refrigerant air conditioner | 8 |
| 3 | Selection of installation place | 9 |
| 4 | Refrigerant piping | 9 |
| 5 | Electric wiring | 13 |
| 6 | Installation Examples | 14 |
| 7 | Control Schematic..... | 15 |
| 8 | Specifications | 16 |
| 9 | RBC-RD7 Leak Detection Panel..... | 18 |

Thank you for purchasing Toshiba air conditioning products.

This Installation Manual describes the installation method of the outdoor unit. For installation of indoor units, follow the Installation Manual supplied with the indoor unit.

Moreover, as this installation manual includes the important articles concerning the “Machinery” Directive (Directive 2006/42/ EC), please read through the manual and make sure you understand it. After installation, give this Installation Manual, the Owner’s Manual and the Installation Manual supplied with the indoor unit to the customer and tell the customer to keep them safe.

Prepare an exclusive power source for indoor units, independent to that for outdoor units.

Y-shaped branching joints or a branching header (separately purchased) are required for connecting pipes between indoor and outdoor units. Choose either of them considering the system capacity concerning piping. For installing branching pipes, refer to the installation manual of the Y-shaped branching unit or branching header (separately purchased).

Outdoor connecting branching joints are required for connecting between outdoor units.

Generic Denomination: Air Conditioner

Definition of Qualified Installer or Qualified Service Person

The air conditioner must be installed, maintained, repaired and removed by a qualified installer or qualified service person. When any of these jobs is to be done, ask a qualified installer or qualified service person to do them for you.

A qualified installer or qualified service person is an agent who has the qualifications and knowledge described in the table below.

| Agent | Qualifications and knowledge which the agent must have |
|--------------------------|--|
| Qualified installer | <ul style="list-style-type: none"> • The qualified installer is a person who installs, maintains, relocates and removes the air conditioners made by Toshiba Carrier Corporation. He or she has been trained to install, maintain, relocate and remove the air conditioners made by Toshiba Carrier Corporation or, alternatively, he or she has been instructed in such operations by an individual or individuals who have been trained and is thus thoroughly acquainted with the knowledge related to these operations. • The qualified installer who is allowed to do the electrical work involved in installation, relocation and removal has the qualifications pertaining to this electrical work as stipulated by the local laws and regulations, and he or she is a person who has been trained in matters relating to electrical work on the air conditioners made by Toshiba Carrier Corporation or, alternatively, he or she has been instructed in such matters by an individual or individuals who have been trained and is thus thoroughly acquainted with the knowledge related to this work. • The qualified installer who is allowed to do the refrigerant handling and piping work involved in installation, relocation and removal has the qualifications pertaining to this refrigerant handling and piping work as stipulated by the local laws and regulations, and he or she is a person who has been trained in matters relating to refrigerant handling and piping work on the air conditioners made by Toshiba Carrier Corporation or, alternatively, he or she has been instructed in such matters by an individual or individuals who have been trained and is thus thoroughly acquainted with the knowledge related to this work. • The qualified installer who is allowed to work at heights has been trained in matters relating to working at heights with the air conditioners made by Toshiba Carrier Corporation or, alternatively, he or she has been instructed in such matters by an individual or individuals who have been trained and is thus thoroughly acquainted with the knowledge related to this work. |
| Qualified service person | <ul style="list-style-type: none"> • The qualified service person is a person who installs, repairs, maintains, relocates and removes the air conditioners made by Toshiba Carrier Corporation. He or she has been trained to install, repair, maintain, relocate and remove the air conditioners made by Toshiba Carrier Corporation or, alternatively, he or she has been instructed in such operations by an individual or individuals who have been trained and is thus thoroughly acquainted with the knowledge related to these operations. • The qualified service person who is allowed to do the electrical work involved in installation, repair, relocation and removal has the qualifications pertaining to this electrical work as stipulated by the local laws and regulations, and he or she is a person who has been trained in matters relating to electrical work on the air conditioners made by Toshiba Carrier Corporation or, alternatively, he or she has been instructed in such matters by an individual or individuals who have been trained and is thus thoroughly acquainted with the knowledge related to this work. • The qualified service person who is allowed to do the refrigerant handling and piping work involved in installation, repair, relocation and removal has the qualifications pertaining to this refrigerant handling and piping work as stipulated by the local laws and regulations, and he or she is a person who has been trained in matters relating to refrigerant handling and piping work on the air conditioners made by Toshiba Carrier Corporation or, alternatively, he or she has been instructed in such matters by an individual or individuals who have been trained and is thus thoroughly acquainted with the knowledge related to this work. • The qualified service person who is allowed to work at heights has been trained in matters relating to working at heights with the air conditioners made by Toshiba Carrier Corporation or, alternatively, he or she has been instructed in such matters by an individual or individuals who have been trained and is thus thoroughly acquainted with the knowledge related to this work. |

Definition of Protective Gear







When the air conditioner is to be transported, installed, maintained, repaired or removed, wear protective gloves and ‘safety’ work clothing.

In addition to such normal protective gear, wear the protective gear described below when undertaking the special work detailed in the table below.

Failure to wear the proper protective gear is dangerous because you will be more susceptible to injury, burns, electric shocks and other injuries.

| Work undertaken | Protective gear worn |
|--------------------------------------|---|
| All types of work | Protective gloves 'Safety' working clothing |
| Electrical-related work | Gloves to provide protection for electricians and from heat Insulating shoes Clothing to provide protection from electric shock |
| Work done at heights (50 cm or more) | Helmets for use in industry |
| Transportation of heavy objects | Shoes with additional protective toe cap |
| Repair of outdoor unit | Gloves to provide protection for electricians and from heat |

■ Warning Indications on the Air Conditioner Unit

| Warning indication | Description | | |
|---|----------------|--|---|
|  <table border="1" style="display: inline-table; vertical-align: middle;"> <tr> <td style="text-align: center;">WARNING</td> </tr> <tr> <td>ELECTRICAL SHOCK HAZARD Disconnect all remote electric power supplies before servicing.</td> </tr> </table> | WARNING | ELECTRICAL SHOCK HAZARD Disconnect all remote electric power supplies before servicing. | <p>WARNING ELECTRICAL SHOCK HAZARD Disconnect all remote electric power supplies before servicing.</p> |
| WARNING | | | |
| ELECTRICAL SHOCK HAZARD Disconnect all remote electric power supplies before servicing. | | | |
|  <table border="1" style="display: inline-table; vertical-align: middle;"> <tr> <td style="text-align: center;">WARNING</td> </tr> <tr> <td>Moving parts. Do not operate unit with grille removed. Stop the unit before the servicing.</td> </tr> </table> | WARNING | Moving parts. Do not operate unit with grille removed. Stop the unit before the servicing. | <p>WARNING Moving parts. Do not operate unit with grille removed. Stop the unit before the servicing.</p> |
| WARNING | | | |
| Moving parts. Do not operate unit with grille removed. Stop the unit before the servicing. | | | |
|  <table border="1" style="display: inline-table; vertical-align: middle;"> <tr> <td style="text-align: center;">CAUTION</td> </tr> <tr> <td>High temperature parts. You might get burned when removing this panel.</td> </tr> </table> | CAUTION | High temperature parts. You might get burned when removing this panel. | <p>CAUTION High temperature parts. You might get burned when removing this panel.</p> |
| CAUTION | | | |
| High temperature parts. You might get burned when removing this panel. | | | |
|  <table border="1" style="display: inline-table; vertical-align: middle;"> <tr> <td style="text-align: center;">CAUTION</td> </tr> <tr> <td>Do not touch the aluminum fins of the unit. Doing so may result in injury.</td> </tr> </table> | CAUTION | Do not touch the aluminum fins of the unit. Doing so may result in injury. | <p>CAUTION Do not touch the aluminium fins of the unit. Doing so may result in injury.</p> |
| CAUTION | | | |
| Do not touch the aluminum fins of the unit. Doing so may result in injury. | | | |
|  <table border="1" style="display: inline-table; vertical-align: middle;"> <tr> <td style="text-align: center;">CAUTION</td> </tr> <tr> <td>BURST HAZARD Open the service valves before the operation, otherwise there might be the burst.</td> </tr> </table> | CAUTION | BURST HAZARD Open the service valves before the operation, otherwise there might be the burst. | <p>CAUTION BURST HAZARD Open the service valves before the operation; otherwise there might be the burst.</p> |
| CAUTION | | | |
| BURST HAZARD Open the service valves before the operation, otherwise there might be the burst. | | | |
|  <table border="1" style="display: inline-table; vertical-align: middle;"> <tr> <td style="text-align: center;">CAUTION</td> </tr> <tr> <td>Do not climb onto the fan guard. Doing so may result in injury.</td> </tr> </table> | CAUTION | Do not climb onto the fan guard. Doing so may result in injury. | <p>CAUTION Do not climb onto the fan guard. Doing so may result in injury.</p> |
| CAUTION | | | |
| Do not climb onto the fan guard. Doing so may result in injury. | | | |

1 Precautions for safety

The manufacturer shall not assume any liability for the damage caused by not observing the description of this manual.

WARNING

General

- Before starting to install the air conditioner, read through the Installation Manual carefully, and follow its instructions to install the air conditioner. Otherwise, falling down of the unit may occur, or the unit may cause noise, vibration or water leakage.
- Only a qualified installer (*1) or qualified service person (*1) is allowed to do installation work. If installation is carried out by an unqualified individual, a fire, electric shocks, injury, water leakage, noise and/or vibration may result.
- If using separately sold products, make sure to use Toshiba specified products only. Using unspecified products may cause fire, electric shock, water leak or other failure.
- Do not use any refrigerant different from the one specified for complement or replacement. Otherwise, abnormally high pressure may be generated in the refrigeration cycle, which may result in a failure or explosion of the product or an injury to your body.
- Before opening the service panel of the outdoor unit, set the circuit breaker to the OFF position. Failure to set the circuit breaker to the OFF position may result in electric shocks through contact with the interior parts. Only a qualified installer (*1) or qualified service person (*1) is allowed to remove the service panel of the outdoor unit and do the work required.
- Before carrying out the installation, maintenance, repair or removal work, be sure to set the circuit breakers for both the indoor and outdoor units to the OFF position. Otherwise, electric shock may result.
- Place a "Work in progress" sign near the circuit breaker while the installation, maintenance, repair or removal work is being carried out. There is a danger of electric shocks if the circuit breaker is set to ON by mistake.
- Only a qualified installer (*1) or qualified service person (*1) is allowed to undertake work at heights using a stand of 50 cm or more or to remove the intake grille of the indoor unit to undertake work.
- Wear protective gloves and safety work clothing during installation, servicing and removal.
- Do not touch the aluminium fin of the outdoor unit. You may injure yourself if you do so. If the fin must be touched for some reason, first put on protective gloves and safety work clothing, and then proceed.
- Do not climb onto or place objects on top of the outdoor unit. You may fall or the objects may fall off of the outdoor unit and result in injury.
- When working at height, put a sign in place so that no-one will approach the work location before proceeding with the work. Parts or other objects may fall from above, possibly injuring a person below. Also, be sure that workers put on helmets.
- When cleaning the filter or other parts of the outdoor unit, set the circuit breaker to OFF without fail, and place a "Work in progress" sign near the circuit breaker before proceeding with the work.
- When working at heights, put a sign in place so that no-one will approach the work location, before proceeding with the work. Parts and other objects may fall from above, possibly injuring a person below.
- The refrigerant used by this air conditioner is the R410A.
- You shall ensure that the air conditioner is transported in stable condition. If you find any part of the product broken, contact your dealer.
- Do not disassemble, modify, repair or move the product yourself. Doing so may cause fire, electric shock, injury or water leaks. Ask a qualified installer or qualified service person to do any repairs or to move the product.
- Selection of installation location
- If you install the unit in a small room, take appropriate measures to prevent the refrigerant from exceeding the limit concentration even if it leaks. Consult the dealer from whom you purchased the air conditioner when you implement the measures. Accumulation of highly concentrated refrigerant may cause an oxygen deficiency accident.
- Do not install in a location where flammable gas may leak and accumulate around the unit, it may ignite and cause a fire.
- When transporting the air conditioner, wear shoes with protective toe caps, protective gloves and other protective clothing.
- When transporting the air conditioner, do not take hold of the bands around the packing carton. You may injure yourself if the bands should break.
- Install the indoor unit at least 2.5 m above the floor level since otherwise the users may injure themselves or receive electric shocks if they poke their fingers or other objects into the indoor unit while the air conditioner is running.
- Do not place any combustion appliance in a place where it is directly exposed to the wind of air conditioner, otherwise it may cause imperfect combustion.
- Places where the operation sound of the outdoor unit may cause a disturbance. (Especially at the boundary line with a neighbour, install the air conditioner while considering the noise.)
- Installation
- Follow the instructions in the Installation Manual to install the air conditioner. Failure to follow these instructions may cause the product to fall down or topple over or give rise to noise, vibration, water leakage or other failure.
- The designated bolts (M12) and nuts (M12) for securing the outdoor unit must be used when installing the unit.
- Install the outdoor unit properly in a location that is durable enough to support the weight of the outdoor unit. Insufficient durability may cause the outdoor unit to fall, which may result in injury.
- Install the unit in the prescribed manner for protection against strong wind and earthquake. Incorrect installation may result in the unit falling down, or other accidents.
- Be sure to fix the screws back which have been removed for installation or other purposes.

Refrigerant Piping

- Install the refrigerant pipe securely during the installation work before operating the air conditioner. If the compressor is operated with the valve open and without refrigerant pipe, the compressor sucks air and the refrigeration cycle is over pressurized, which may cause an injury.
- Tighten the flare nut with a torque wrench in the specified manner. Excessive tightening of the flare nut may cause a crack in the flare nut after a long period, which may result in refrigerant leakage.
- Ventilate the air if the refrigerant gas leaks during installation. If the leaked refrigerant gas comes into contact with fire, toxic gas may be produced.
- After the installation work, confirm that refrigerant gas does not leak. If refrigerant gas leaks into the room and flows near a fire source, such as a cooking range, noxious gas may be generated.
- When the air conditioner has been installed or relocated, follow the instructions in the Installation Manual and purge the air completely so that no gases other than the refrigerant will be mixed in the refrigerating cycle. Failure to purge the air completely may cause the air conditioner to malfunction.
- Nitrogen gas must be used for the airtight test.
- The charge hose must be connected in such a way that it is not slack.
- If refrigerant gas has leaked during the installation work, ventilate the room immediately. If the leaked refrigerant gas comes in contact with fire, noxious gas may be generated.

Electrical Wiring

- Only a qualified installer (*1) or qualified service person (*1) is allowed to carry out the electrical work of the air conditioner. Under no circumstances must this work be done by an unqualified individual since failure to carry out the work properly may result in electric shocks and/or electrical leaks.
- When connecting the electrical wires, repairing the electrical parts or undertaking other electrical jobs, wear gloves to provide protection for electricians and from heat, insulating shoes and clothing to provide protection from electric shocks. Failure to wear this protective gear may result in electric shocks.
- When executing address setting, test run, or troubleshooting through the checking window on the electrical control box, put on insulated heat-proof gloves, insulated shoes and other clothing to provide protection from electric shock. Otherwise you may receive an electric shock.
- Use wiring that meets the specifications in the Installation Manual and the stipulations in the local regulations and laws. Use of wiring which does not meet the specifications may give rise to electric shocks, electrical leakage, smoking and/or a fire.
- Check that the product is properly earthed. (grounding work) Incomplete earthing may cause electric shock.
- Do not connect the earth wire to a gas pipe, water pipe, lightning conductor, or a telephone earth wire.
- After completing the repair or relocation work, check that the ground wires are connected properly.
- Install a circuit breaker that meets the specifications in the installation manual and the stipulations in the local regulations and laws.
- Install the circuit breaker where it can be easily accessed by the agent.
- When installing the circuit breaker outdoors, install one which is designed to be used outdoors.
- Under no circumstances must the power cable be extended. Connection trouble in the places where the cable is extended may give rise to smoking and/or a fire.
- Electrical wiring work shall be conducted according to law and regulation in the community and installation manual. Failure to do so may result in electrocution or short circuit.
- Do not supply power from the power terminal block equipped on the outdoor unit to another outdoor unit. Capacity overflow may occur on the terminal block and may result in fire.
- When carrying out electric connection, use the wire specified in the Installation Manual and connect and fix the wires securely to prevent them applying external force to the terminals. Improper connection or fixing may result in fire.

Test Run

- Before operating the air conditioner after having completed the work, check that the electrical control box cover of the indoor unit and service panel of the outdoor unit are closed, and set the circuit breaker to the ON position. You may receive an electric shock if the power is turned on without first conducting these checks.
- When you have noticed that some kind of trouble (such as when an error display has appeared, there is a smell of burning, abnormal sounds are heard, the air conditioner fails to cool or heat or water is leaking) has occurred in the air conditioner, do not touch the air conditioner yourself but set the circuit breaker to the OFF position, and contact a qualified service person. Take steps to ensure that the power will not be turned on (by marking "out of service" near the circuit breaker, for instance) until qualified service person arrives. Continuing to use the air conditioner in the trouble status may cause mechanical problems to escalate or result in electric shocks or other failure.
- After the work has finished, be sure to use an insulation tester set (500 V Megger) to check the resistance is 2 MΩ or more between the charge section and the non-charge metal section (Earth section). If the resistance value is low, a disaster such as a leak or electric shock is caused at user's side.
- Upon completion of the installation work, check for refrigerant leaks and check the insulation resistance and water drainage. Then conduct a test run to check that the air conditioner is operating properly.

Explanations Given To User

- Upon completion of the installation work, tell the user where the circuit breaker is located. If the user does not know where the circuit breaker is, he or she will not be able to turn it off in the event that trouble has occurred in the air conditioner.
- If you have discovered that the fan grille is damaged, do not approach the outdoor unit but set the circuit breaker to the OFF position, and contact a qualified service person(*1) to have the repairs done. Do not set the circuit breaker to the ON position until the repairs are completed.
- After the installation work, follow the Owner's Manual to explain to the customer how to use and maintain the unit.

Relocation

- Only a qualified installer (*1) or qualified service person (*1) is allowed to relocate the air conditioner. It is dangerous for the air conditioner to be relocated by an unqualified individual since a fire, electric shocks, injury, water leakage, noise and/or vibration may result.
- When carrying out the pump-down work shut down the compressor before disconnecting the refrigerant pipe. Disconnecting the refrigerant pipe with the service valve left open and the compressor still operating will cause air or other gas to be sucked in, raising the pressure inside the refrigeration cycle to an abnormally high level, and possibly resulting in rupture, injury or other trouble.
- Never recover the refrigerant into the outdoor unit. Be sure to use a refrigerant recovery machine to recover the refrigerant when moving or repairing. It is impossible to recover the refrigerant into the outdoor unit. Refrigerant recovery into the outdoor unit may result in serious accidents such as explosion of the unit, injury or other accidents.

(*1) Refer to the "Definition of Qualified Installer or Qualified Service Person."



New refrigerant air conditioner installation

- **This air conditioner adopts the new HFC refrigerant (R410A) which does not destroy ozone layer.**
- The characteristics of R410A refrigerant are; easy to absorb water, oxidizing membrane or oil, and its pressure is approx. 1.6 times higher than that of refrigerant R22. Accompanied with the new refrigerant, refrigerating oil has also been changed. Therefore, during installation work, be sure that water, dust, former refrigerant, or refrigerating oil does not enter the refrigerating cycle.
- To prevent charging an incorrect refrigerant and refrigerating oil, the sizes of connecting sections of charging port of the main unit and installation tools are changed from those for the conventional refrigerant.
- Accordingly the exclusive tools are required for the new refrigerant (R410A).
- For connecting pipes, use new and clean piping designed for R410A, and please care so that water or dust does not enter.

Disconnection of the appliance from mains power supply.

- This appliance must be connected to the main power supply by means of a switch with a contact separation of at least 3 mm.

The installation fuse (all type can be used) must be used for the power supply line of this conditioner.

2 Installation of New Refrigerant Air Conditioner

This air conditioner adopts the new HFC refrigerant (R410A) which does not deplete the ozone layer.

- R410A refrigerant is vulnerable to impurities such as water, oxidizing membranes, or oils because the pressure of R410A refrigerant is higher than that of the former refrigerant by approximately 1.6 times.
- As well as the adoption of the new refrigerant, the refrigerating oil has been also changed. Therefore, pay attention so that water, dust, former refrigerant, or refrigerating oil does not enter the refrigerating cycle of the new refrigerant air conditioner during installation.
- To prevent mixing of refrigerant or refrigerating oil, the size of the charge port of the main unit or connecting section of the installation tool differs to that of an air conditioner for the former refrigerant. Accordingly, exclusive tools are required for the new refrigerant (R410A) as shown below.
- For connecting pipes, use new and clean piping materials so that water or dust does not enter.

■ Required Tools and Cautions on Handling

It is necessary to prepare the tools and parts for installation as described below. The tools and parts which will be newly prepared in the following items should be restricted to exclusive use.

Explanation of symbols

- △ : Newly prepared (It is necessary to use it exclusively with R410A, separately from those for R22 or R407C.)
 ○ : Former tool is available.

| Used Tools | Usage | Proper Use of Tools / Parts |
|---|---|---|
| Gauge manifold | Vacuuming, charging refrigerant and operation check | △ Exclusive to R410A |
| Charging hose | | △ Exclusive to R410A |
| Charging cylinder | Charging refrigerant | Unusable (Use the Refrigerant charging balance.) |
| Gas leak detector | Checking gas leak | △ Exclusive to R410A |
| Vacuum pump | Vacuum drying | Usable if a counter-flow preventive adapter is attached |
| Vacuum pump with counter flow | Vacuum drying | ○ R22 (Existing article) |
| Flare tool | Flare processing of pipes | ○ Usable by adjusting size |
| Bender | Bending processing of pipes | ○ R22 (Existing article) |
| Refrigerant recovery device | Recovering refrigerant | △ Exclusive to R410A |
| Torque wrench | Tightening flare nut | △ Exclusive to Ø12.7 mm and Ø15.9 mm |
| Pipe cutter | Cutting pipes | ○ R22 (Existing article) |
| Refrigerant canister | Charging refrigerant | △ Exclusive to R410A Enter the refrigerate name for identification |
| Welding machine / Nitrogen gas cylinder | Welding of pipes | ○ R22 (Existing article) |
| Refrigerant charging balance | Charging refrigerant | ○ R22 (Existing article) |

3 Selection of Installation Place

Upon customer's approval, install the air conditioning apparatus in a place which satisfies the following conditions:

- Place where it can be installed horizontally.
- Place which can reserve a sufficient service space for safe maintenance or checks.
- Place where there is no problem even if the drained water overflows.

Avoid the following places:

- Salty places (seaside area) or places with much gas sulphide (hot spring area) (If selecting such a place, special maintenance is required.)
- Places where oil (including machine oil), steam, oil smoke or corrosive gas is generated.
- Places where iron or other metal dust is present. If iron or other metal dust adheres to or collects on the interior of the air conditioner, it may spontaneously combust and start a fire.
- Places where an organic solvent is used.
- Chemical plants with a cooling system using liquid carbon dioxide.
- Places where a device generating high frequency (inverter, non-utility generator, medical apparatus, or communication equipment) is set. (Malfunction or abnormal control of the air conditioner, or interference to devices listed above may occur.)
- Places unable to bear the weight of the apparatus.
- Places with poor ventilation.
- Places where ambient temperature falls below -15°C for more than 72 hours running.

4 Refrigerant Piping

■ -GAS Label

The air conditioning product contains fluorinated greenhouse gases covered by the Kyoto Protocol

Chemical Name of Gas R410A

Global Warming Potential (GWP) of Gas 1975



-
1. Stick the enclosed refrigerant label adjacent to the charging and/or recovering location.
 2. Clearly write the charged refrigerant quantity on the refrigerant label using indelible ink. Then, place the included transparent protective sheet over the label to prevent the writing from rubbing off.
 3. Prevent emission of the contained fluorinated greenhouse gas. Ensure that the fluorinated greenhouse gas is never vented to the atmosphere during installation, service or disposal. When any leakage of the contained fluorinated greenhouse gas is detected, the leak shall be stopped and repaired as soon as possible.
 4. Only qualified service personnel are allowed to access and service this product.
 5. Any handling of the fluorinated greenhouse gas in this product, such as when moving the product or recharging the gas, shall comply under (EC) Regulation No. 842/2006 on certain fluorinated greenhouse gases and any relevant local legislation.
 6. Periodical inspections for refrigerant leaks may be required depending on European or local legislation.
 7. Contact dealers, installers, etc., for any questions.
-

WARNING

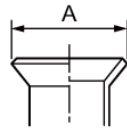
- If the refrigerant gas leaks during installation, ventilate the room. If the leaked refrigerant gas comes into contact with fire, noxious gas may be generated.
- After installation, check that the refrigerant gas does not leak.
- If the refrigerant gas leaks into the room and comes into contact with fire such as a fan heater, stove, or kitchen range, noxious gas may be generated.

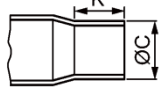
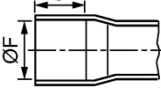
REQUIREMENT

- For a brazing work of the refrigerant pipes, be sure to use nitrogen gas in order to prevent oxidation of the inside of the pipes; otherwise clogging of the refrigerating cycle due to oxidized scale may occur.
- Use clean and new pipes for the refrigerant pipes and perform piping work so that water or dust does not contaminate the refrigerant.
- *Remove all flux after brazing.
- Be sure to use a double spanner to loosen or tighten the flare nut. If a single spanner is used, the required level of tightening cannot be obtained. Tighten the flare nut with the specified torque. (If it is hard to loosen or tighten the flare nut of the balance pipe or packed valve of the liquid side with a double spanner, loosen or tighten the flare nut while holding the valve mounting plate with a spanner.)

Extruding margin of copper pipe with flare tools: A (Unit: mm)

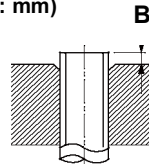
| | |
|------------------------|--------------|
| Copper pipe outer dia. | +0 A -0.4 |
| 9.5 | 13.2 |
| 12.7 | 16.6 |
| 15.9 | 19.7 |
| 19.1 | 24.0 |



| Connected section | |
|---|---|
| External size | Internal size |
|  |  |

Extruding margin of copper pipe with flare machining: B (Unit: mm)

| | | |
|------------------------|-----------------------|------------------------------|
| Copper pipe outer dia. | When using R410A tool | When using conventional tool |
| 9.5 12.7 15.9 19.1 | 0 to 0.5 | 1.0 to 1.5 |



- When using the conventional flare tool, to connect R410A pipes with flaring, make a margin approx. 0.5 mm longer than that of an R22 pipe so that the flare size matches the one specified. It is convenient to use a copper pipe gauge for size adjustment of the extruding margin. Half hard or hard materials may be cracked and may cause leakage of refrigerant when it is flared.
- After flaring the connection, be sure the flared part is not damaged, deformed, uneven, or flattened, and that there are no cutting chips on it. Coupling size of brazed pipe

| Standard outer dia. of connected copper pipe | Connected section | | | | | Min. thickness of coupling |
|--|--|--|-------------------------|----|--------------|----------------------------|
| | External size | Internal size | Min. depth of insertion | | Oval value | |
| | Standard outer dia. (Allowable difference) | | K | G | | |
| | C | F | | | | |
| 6.35 | 6.35 (±0.03) | 6.45 ^(+0.04) _{-0.02)} | 7 | 6 | 0.06 or less | 0.50 |
| 9.52 | 9.52 (±0.03) | 9.62 ^(+0.04) _{-0.02)} | 8 | 7 | 0.08 or less | 0.60 |
| 12.70 | 12.70 (±0.03) | 12.81 ^(+0.04) _{-0.02)} | 9 | 8 | 0.10 or less | 0.70 |
| 15.88 | 15.88 (±0.03) | 16.00 ^(+0.04) _{-0.02)} | 9 | 8 | 0.13 or less | 0.80 |
| 19.05 | 19.05 (±0.03) | 19.19 ^(+0.03) _{-0.03)} | 11 | 10 | 0.15 or less | 0.80 |
| 22.22 | 22.22 (±0.03) | 22.36 ^(+0.03) _{-0.03)} | 11 | 10 | 0.16 or less | 0.82 |
| 28.58 | 28.58 (±0.04) | 28.75 ^(+0.06) _{-0.02)} | 13 | 12 | 0.20 or less | 1.00 |
| 34.92 | 34.90 (±0.04) | 35.11 ^(+0.04) _{-0.04)} | 14 | 13 | 0.25 or less | 1.20 |
| 38.10 | 38.10 (±0.05) | 38.31 ^(+0.08) _{-0.02)} | 15 | 14 | 0.27 or less | 1.26 |
| 41.28 | 41.28 (±0.05) | 41.50 ^(+0.08) _{-0.02)} | 15 | 14 | 0.28 or less | 1.35 |

Warnings on Refrigerant Leakage

Check of Concentration Limit

The room in which the air conditioner is to be installed requires a design that in the event of refrigerant gas leaking out, its concentration will not exceed a set limit.

The refrigerant R410A which is used in the air conditioner is safe, without the toxicity or combustibility of ammonia, and is not restricted by laws to be imposed which protect the ozone layer. However, since it contains more than air, it poses the risk of suffocation if its concentration should rise excessively. Suffocation from leakage of R410A is almost non-existent. With the recent increase in the number of high concentration buildings, however, the installation of multi air conditioner systems is on the increase because of the need for effective use of floor space, individual control, energy conservation by curtailing heat and carrying power etc.

Most importantly, the multi air conditioner system is able to replenish a large amount of refrigerant compared with conventional individual air conditioners. If a single unit of the multi conditioner system is to be installed in a small room, select a suitable model and installation procedure so that if the refrigerant accidentally leaks out, its concentration does not reach the limit (and in the event of an emergency, measures can be made before injury can occur).

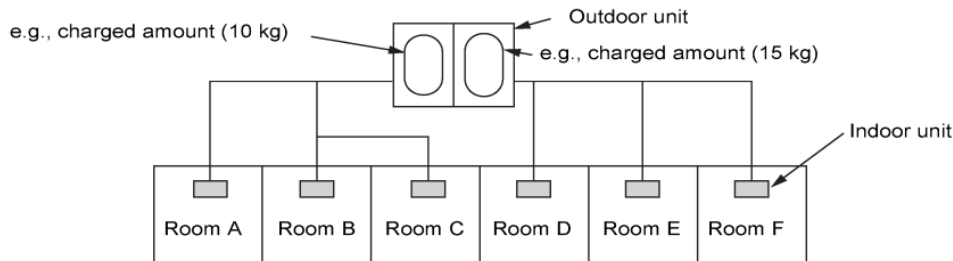
1. In a room where the concentration may exceed the limit, create an opening with adjacent rooms, or install mechanical ventilation combined with a gas leak detection device. The concentration is calculated as detailed below.

$$\frac{\text{Total amount of refrigerant (kg)}}{\text{Min. volume of the indoor unit installed room (m}^3\text{)}} \leq \text{Concentration limit (kg/m}^3\text{)}$$

The concentration limit of R410A which is used in multi air conditioners is 0.3 kg/m³.

▼ NOTE 1

If there are 2 or more refrigerating systems in a single refrigerating device, the amounts of refrigerant should be as charged in each independent device.

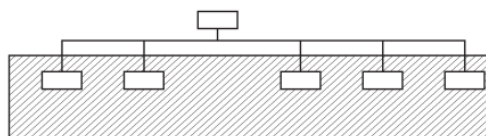


For the amount of charge in this example:

The possible amount of leaked refrigerant gas in rooms A, B and C is 10 kg. The possible amount of leaked refrigerant gas in rooms D, E and F is 15 kg.

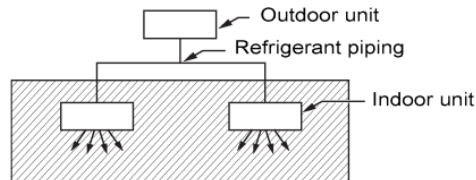
▼ NOTE 2

The standards for minimum room volume are as follows. 1) No partition (shaded portion)

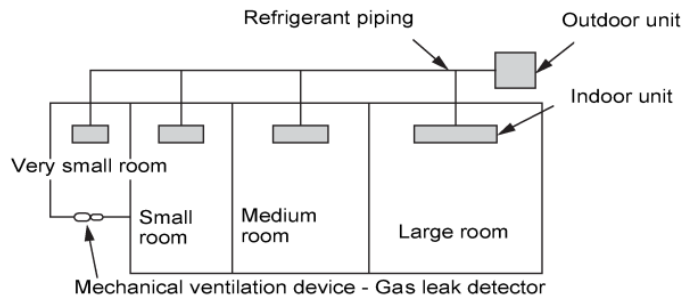


IMPORTANT

2. When there is an effective opening with the adjacent room for ventilation of leaking refrigerant gas (opening without a door, or an opening 0.15 % or larger than the respective floor spaces at the top or bottom of the door).

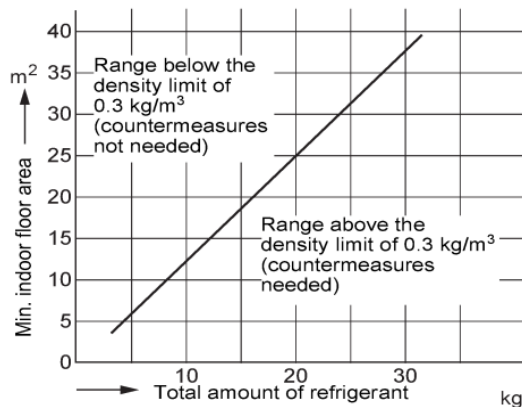


3. If an indoor unit is installed in each partitioned room and the refrigerant piping is interconnected, the smallest room of course becomes the object. But when a mechanical ventilation is installed interlocked with a gas leakage detector in the smallest room where the density limit is exceeded, the volume of the next smallest room becomes the object.



▼ NOTE 3

The minimum indoor floor area compared with the amount of refrigerant is roughly as follows: (When the ceiling is 2.7 m high)



5 Electric wiring

WARNING

The appliance shall be installed in accordance with national wiring regulations.
Capacity shortages of the power circuit or an incomplete installation may cause an electric shock or fire.

CAUTION

- Perform wiring of power supply complying with the rules and regulations of the local electric company.
- Refer to H07RN-F or 60245 IEC 66 regarding specifications of the power supply wire.
- Do not connect 380 V - 415 V power to the terminal blocks for control cables (U1, U2, U3, U4, U5, U6); otherwise, the unit may break down.
- Be sure that electric wiring does not come into contact with high-temperature parts of piping; otherwise, the coating of cables may melt and cause an accident.
- After connecting wires to the terminal block, take off the traps and fix the wires with cord clamps.
- Follow the same structure for both the control wiring and refrigerate piping.
- Do not conduct power to indoor units until vacuuming of the refrigerant pipes has finished.
- Refer to the installation manuals of indoor unit and flow selector unit for power wiring and communication wiring of indoor unit and flow selector unit.
- Communication wiring and central control wiring use 2-core non-polarity wires. Use 2-core shield wires to prevent noise trouble.
- Connecting the closed end terminal of shield wire. (Connected to all connecting sections in each unit)
- Use 2-core non-polarity wire for remote controller. (A, B terminals) Use 2-core non-polarity wire for wiring of group control. (A, B terminals)

Table-1 Communication wiring between indoor and outdoor units (L1, L2, L3), Central control wiring (L4)

| | |
|---------------|---|
| Wiring | 2-core, non-polarity |
| Type | Shield wire |
| Size / Length | 1.50mm ² (min. 1.25 mm ²): Up to 1000m 2.50mm ² (min. 2.00 mm ²): Up to 2000m (*1) |

(*1): Total length of Communication wiring length for all refrigerant circuits (L1 + L2 + L3 + L4)

Table-2 Communication wiring between outdoor units (L5)

| | |
|---------------|---|
| Wiring | 2-core, non-polarity |
| Type | Shield wire |
| Size / Length | 1.50mm ² (min. 1.25 mm ² to 2.0 mm ²) up to 100m (L5) |

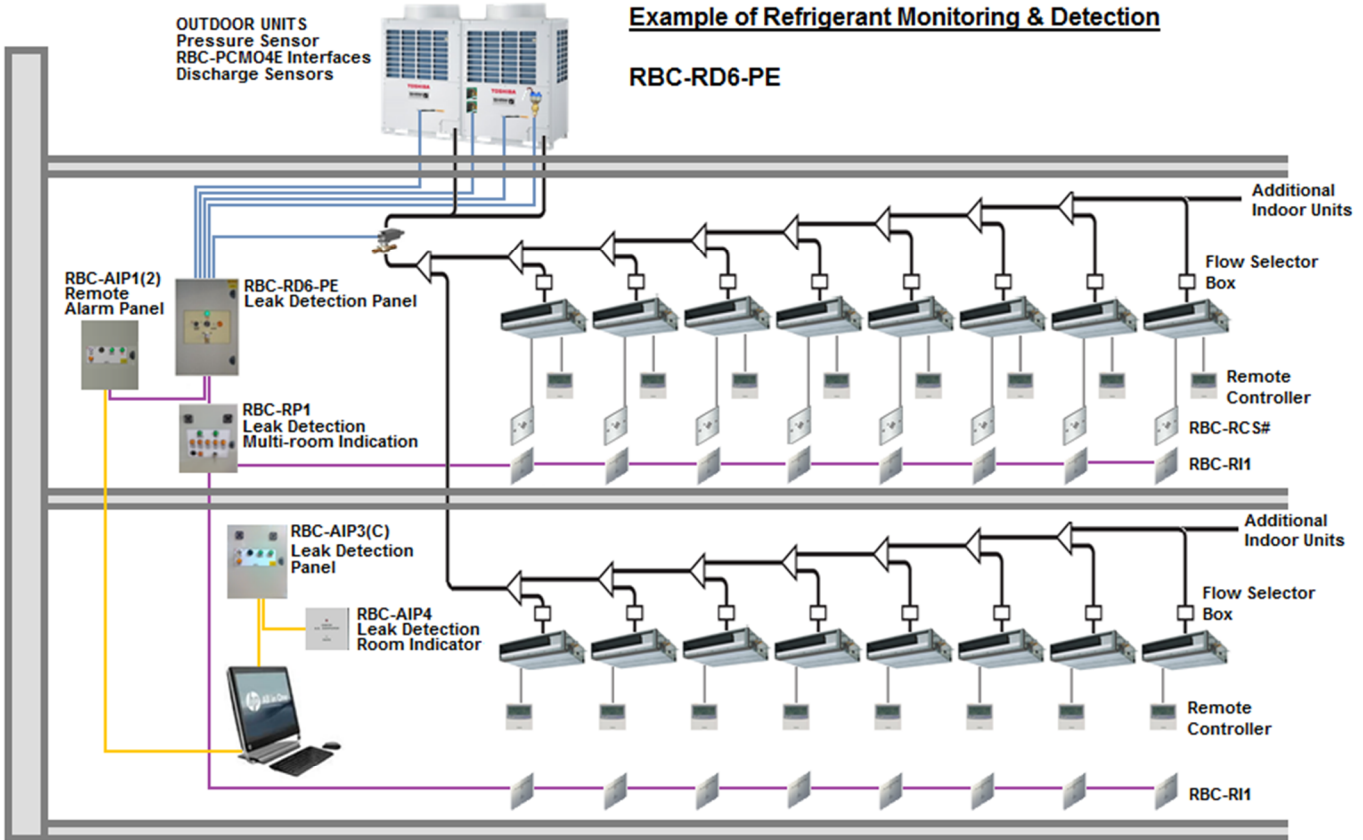
Table-3 Remote controller wiring (L6, L7)

| | |
|--------|---|
| Wire | 2-core, non-polarity |
| Size | 1.50mm ² (min. 0.5 mm ² to 2.0 mm ²) |
| Length | Up to 500m (L6 + L7) Up to 400m in case of wireless remote controller in group control. Up to 200m total length of communication wiring between indoor units L6 |

6 Installation Examples

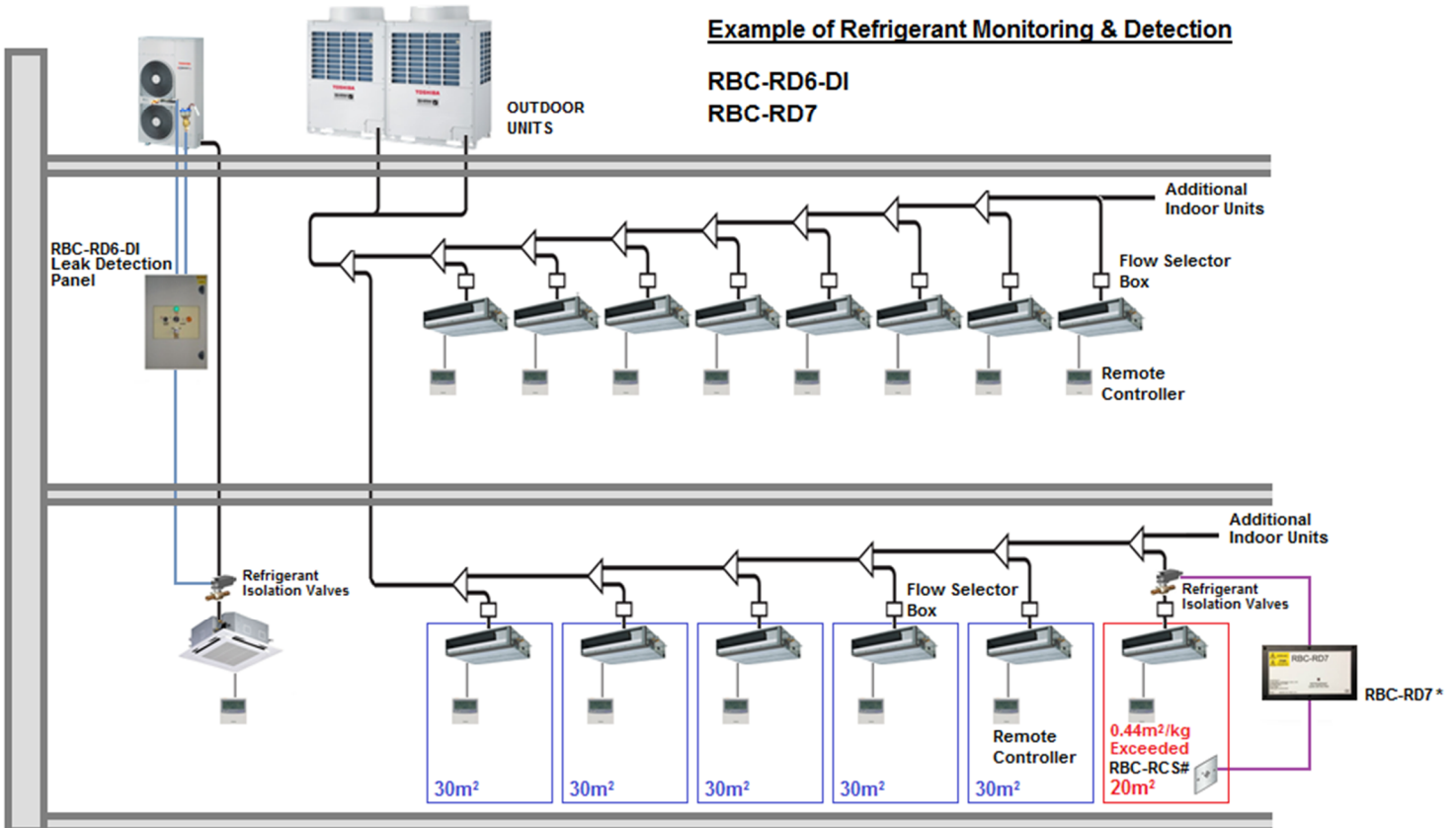
Example of Refrigerant Monitoring & Detection

RBC-RD6-PE



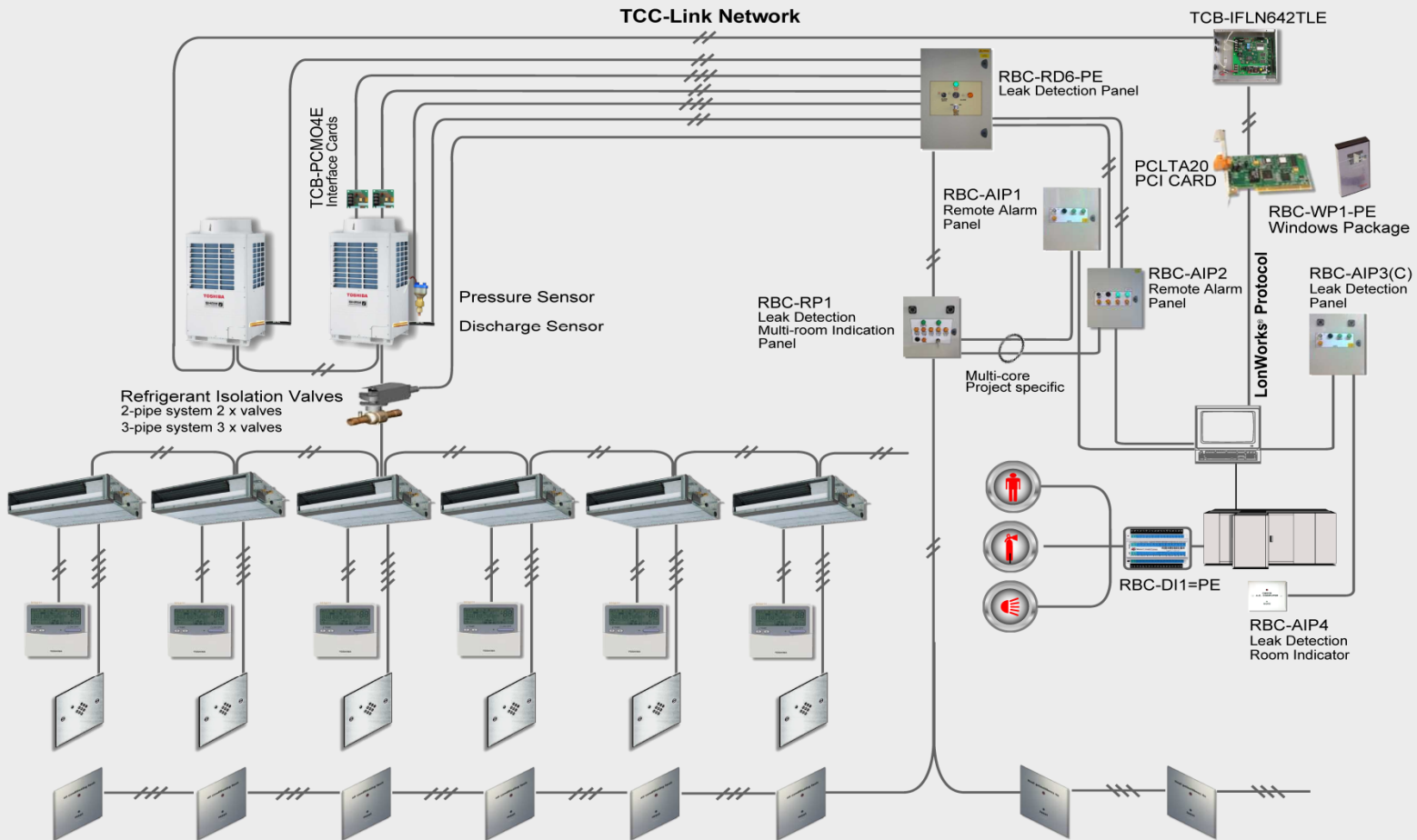
Example of Refrigerant Monitoring & Detection

**RBC-RD6-DI
RBC-RD7**



* RBC-RD7 enables isolation of a single Indoor Unit and continuous operation of unaffected system(s) with significant cost saving versus RBC-RD6

7 Control Schematic



Optional Detection Methods:

-  **RBC-RCS#**
Refrigerant Sensor(s)
Connects to Indoor PCB
-  **RBC-RCS#**
Floor Leak Detection Indicator
Connects to RBC-RD6#
Max. 4 Circuits / Max. 10 per Circuit

Example
Interactive Intelligence System with
Refrigerant Leak Detection & Monitoring

8 Specification

| LEAK DETECTION PANEL | | RBC-RD6 | RBC-RD6-DI | | | RBC-RD7 |
|--|--------------------|-------------------------|-------------------|------------------------|---------------------------|-------------------------|
| LEAK DETECTION PANEL | | | | | | |
| LEAK DETECTION REPEATER PANEL (MULTI-ROOM INDICATION) | | | | RBC-RP1 | | |
| REFRIGERANT LEAK DETECTOR | | | | | RBC-R11 | |
| LEAK DETECTION ROOM INDICATOR | | | | | | |
| PRODUCTS | | VRF | RAV-DI/SDI | VRF - RAV DI/SDI | VRF - RAV DI/SDI | VRF - RAV DI/SDI |
| Standard Rating | (IP) | 65 | | 40 | 40 | 50 |
| Enclosure | | Metal | | Metal | Plastic | Plastic |
| Colour | | Light grey RAL 7035 | | Light grey RAL 7035 | White | Black |
| Colour Cost Option Upgrade | (Various) | - | | - | Facia Plate | - |
| Height | (mm) | 600 | | 500 | 92 | 114 |
| Width | (mm) | 400 | | 400 | 92 | 194 |
| Depth | (mm) | 200 | | 150 | 60 | 62 |
| Weight | (kg) | 12 | | 15 | 0.2 | 700 |
| Isolating Gas Valve (Supplied Loose) | (mm) | Bespoke per application | - | - | - | - |
| Isolating Liquid Valve (Supplied Loose) | (mm) | Bespoke per application | | - | - | Bespoke per application |
| Isolating Suction Valve (Supplied Loose) | (mm) | Bespoke per application | | - | - | Bespoke per application |
| Sensor(s) Type (Supplied Loose) | | Discharge pipe sensing | | - | - | - |
| Interface Cards (Supplied Loose) | | 2 x TCB-PCM04E | - | - | - | - |
| | | Sockets CN510 & CN512 | | - | - | - |
| Option BMS Interface Card (Panel Fitted) | | - | RBC-FDP3 | - | - | - |
| Audible Alarm | | Yes | | Yes | Yes | - |
| Audible Alarm Sound Level | (dB) | - | | - | 95 (3400Hz ±500) | - |
| Alarm Mute | | Yes (Key Switch) | | Yes | Mute Button / Powered OFF | - |
| Visual Indicator (Neon) | | Live | | Live | Yes | Leak Detected |
| | | Alarm | | Healthy | | |
| | | | | Alarm | | |
| Fault Code Generated To Local Remote Controller | | - | | - | - | - |
| Interconnecting Multi-core Cable Length / Fused | (m) | - | | - | - | - |
| Interconnecting Cable Max. Length | (m) | 12 | 12 | 100 | 100 | 24 |
| Interconnecting Cable Type | (mm ²) | 0.75 | 0.75 | 3 core 1.5 | 3 core 1.5 | 0.5 |
| Interconnecting Cable Type Remote Indication | | - | | 2 core 0.75 | - | - |
| Control Circuit Power | (Volts) | 24 | 24 | 24 | 24 (via RP1) | - |
| Power Supply | | 1 phase 230v 50Hz | 1 phase 230v 50Hz | 1 phase 230v 50Hz | - | 1 phase 230v 50Hz |
| Power Consumption Min. / Max. | (mA) | - | | - | - | - |
| Suggested Fused Supply | (Amps) | 3 | 3 | 6 | (via RP1) | 1 |
| Interface Card(S) (Required Accessory) *Max. 4 Circuits | | - | | *RBC-R11 | - | - |
| In Room Detector (Required Accessory) *Max. 10 per Circuit | | - | | *RBC-RD3 / RCS1 / RCS2 | - | *RBC-RD3 / RCS1 / RCS2 |
| Circuit Protection Fuse Supplied With Cable | | - | | - | - | - |
| Cable Link For Remote ON / OFF (Ving Card) | | - | | - | - | - |
| Screw Terminal Connections | | - | | - | - | - |
| Fail Safe Relay Operation | | - | | - | - | - |
| Mounting Height Above Floor Level | (mm) | - | | - | - | - |
| On-site Commissioning Support | | - | | - | - | - |

| | | | RBC-AIP1 | RBC-AIP2 | RBC-AIP3 | RBC-AIP3C | |
|-----------------------|-----------------------|-----------------------|---------------------|---------------------------|---------------------|---------------------|---------------------------|
| | | | | | | | |
| RBC-RD3 | RBC-RCS1 | RBC-RCS2 | | | | | RBC-AIP4 |
| ALL COMMON HFC's | ALL COMMON HFC's | ALL COMMON HFC's | VRF - RAV DI/SDI | VRF - RAV DI/SDI | VRF - RAV DI/SDI | VRF - RAV DI/SDI | VRF - RAV DI/SDI |
| Surface Mounted | Recessed | Recessed | 30 | 30 | 40 | 40 | 40 |
| Plastic | Plastic | Steel | Metal | Metal | Metal | Metal | Plastic |
| White | White | Stainless | Light grey RAL 7035 | Light grey RAL 7035 | Light grey RAL 7035 | Light grey RAL 7035 | White |
| Facia Plate | Facia Plate | Facia Plate | - | - | - | - | Facia Plate |
| 85 | 85 | 85 | 500 | 500 | 500 | 500 | 92 |
| 85 | 85 | 85 | 400 | 400 | 400 | 400 | 92 |
| 32 | 32 | 32 | 150 | 150 | 150 | 150 | 60 |
| 0.085 | 0.085 | 0.085 | 15 | 15 | 15 | 15 | 0.2 |
| - | - | - | - | - | - | - | - |
| - | - | - | - | - | - | - | - |
| - | - | - | - | - | - | - | - |
| - | - | - | - | - | - | - | - |
| - | - | - | - | - | - | - | - |
| - | - | - | - | - | - | - | - |
| - | - | - | - | - | - | - | - |
| Yes | Yes | Yes | Yes | Yes | Yes | Yes | Yes |
| 85 (2300Hz ±300) | 85 (2300Hz ±300) | 85 (2300Hz ±300) | 95 (3400Hz ±500) | 95 (3400Hz ±500) | 95 (3400Hz ±500) | 95 (3400Hz ±500) | 95 (3400Hz ±500) |
| Powered OFF | Powered OFF | Powered OFF | Yes (Key Switch) | Yes (Key Switch) & Remote | Yes (Key Switch) | Yes (Key Switch) | Mute Button / Powered OFF |
| 3-coloured LED | 3-coloured LED | 3-coloured LED | Live | Live | Live | Live | Yes |
| | | | Healthy | Healthy | Healthy | Healthy | |
| | | | Alarm | Alarm | Alarm | Alarm | |
| L30 | L30 | L30 | - | - | - | - | - |
| 10 / Yes | 10 / Yes | 10 / Yes | - | - | - | - | - |
| - | - | - | 100 | 100 | 3 | 3 | 100 |
| - | - | - | 3 core 1.5 | 3 core 1.5 | USB | USB | 3 core 1.5 |
| - | - | - | - | 2 core 0.75 | - | - | - |
| 12-24 AC/DC | 12-24 AC/DC | 12-24 AC/DC | 24 | 24 | 24 | 24 | 24 (via RP1) |
| Local indoor unit PCB | Local indoor unit PCB | Local indoor unit PCB | 1 phase 230v 50Hz | 1 phase 230v 50Hz | Battery Back-up | Battery Back-up | - |
| 40 / 100 | 40 / 100 | 40 / 100 | - | - | - | - | - |
| - | - | - | 6 | 6 | - | - | (via RP1) |
| - | - | - | inc. RBC-DI1 | inc. RBC-DI1 | - | - | - |
| - | - | - | - | - | - | - | - |
| Yes | Yes | Yes | - | - | - | - | - |
| Yes | Yes | Yes | - | - | - | - | - |
| 5 | 5 | 5 | - | - | - | - | - |
| Yes | Yes | Yes | - | - | - | - | - |
| 150 | 150 | 150 | - | - | - | - | - |
| - | - | - | - | - | Half Day Included | Full Day Included | - |

13 RBC-RD7 Leak Detection Panel



The RBC-RD7 Leak Detection Panel enables the isolation of an individual bedroom or occupied space without the need to fully shut down the air conditioning system. Operating in conjunction with any RBC-RCS# range of leak detection sensor, the RBC-RD7 Leak Detection Panel allows all other indoor units on the system to remain operational ensuring that comfort levels within the building are maintained.

| Part Name | Qty | Shape | Usage |
|--------------------|------------------|--|-------------------------------|
| Control Panel | 1 |  | Panel with visual alarm |
| Refrigerant Valves | Project Specific |  | Isolation of refrigerant line |

Precautions for Safety

- Read these "Precautions for Safety" carefully before installation work.
- The precautions described below include important items regarding safety. Observe them without fail. Understand the following details (indications and symbols) before reading the body text, and follow the instructions.

The meanings of indications

| | |
|--|---|
|  WARNING | Text set off in this manner indicates that failure to adhere to the directions in the warning could result in serious bodily harm or loss of life if the product is handled improperly. |
|  CAUTION | Text set off in this manner indicates that failure to adhere to the directions in the caution could result in serious bodily injury or damage to property if the product is handled improperly. |

- After completion of installation, perform trial operation to check for any problems. Explain method of use and maintenance to the customer by following the descriptions in the manual. Ask customer to keep this Manual at accessible place for future reference.

⚠ WARNING

- Only a qualified installer or qualified service person is allowed to do installation work. If installation is carried out by an unqualified individual, fire or electric shock may result.
- Perform installation work reliably according to this installation manual. Incomplete installation may cause electric shock, fire or abnormal operation.
- Electrical work must be performed by a qualified installer or qualified service person in accordance with this installation manual. The work must satisfy all local, national and international regulations. Inappropriate work may result in electric shock or fire.
- Connect the specified wires firmly and clamp them securely so that external force applied to the wires does not affect the connector pins. Improper wire connection or clamping may result in fire or malfunction.
- Do not disassemble, modify, repair or move the product yourself. Doing so may cause fire, electric shock, injury or water leaks.
- Ask a qualified installer or qualified service person to do any repairs or to move the product.

■ Mounting the Control Panel

Mount the control panel in a waterproof location ideally adjacent to the indoor unit. Remove the gland plate prior to drilling. Ensure that correct type glands are fitted to maintain panel integrity. Connect the mains power, isolation valve wiring and other components as illustrated in schematic wiring diagram.

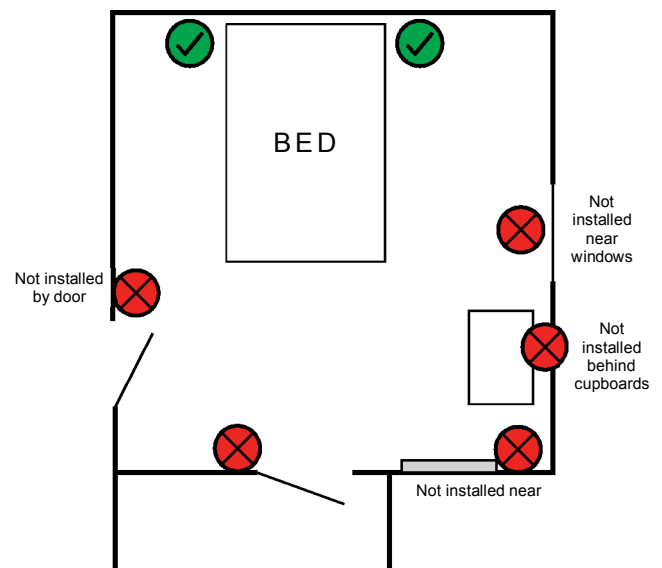
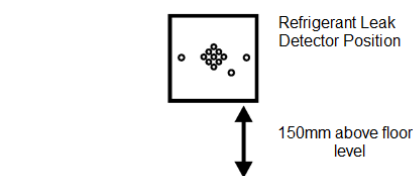
Dimensions



Installation

Refrigerants are significantly heavier than air and the refrigerant detector must be positioned at low level in the room with the associated indoor unit. The unit is designed to fit on the surface or over a standard single socket recessed box. The refrigerant detector PCB can be accommodated inside a standard single gang electrical back box (locally procured). The minimum depth of any back box is 45mm, which can be flush mounted into the wall.

- Maximum distance from indoor unit is 10m.
- Mount leak detector 150mm above the floor level.



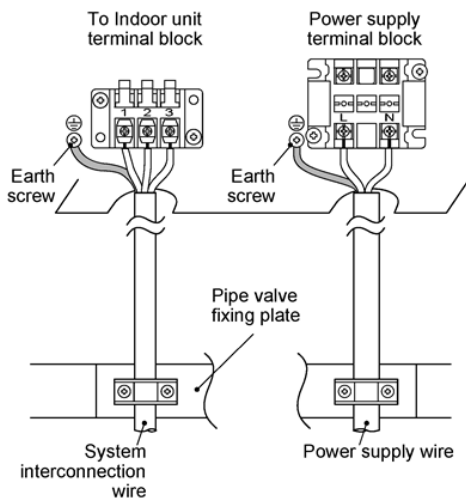
PANEL WIRING

For the panel, connect a power wire with the following specifications.

| | RBC-RD6-PE |
|------------------------------|--|
| Power supply | 220-240 V~, 50 Hz2 |
| Installation fuse rating | 2 A (all types can be used) |
| Power supply wire | H07 RN-F or 60245 IEC 66 (1.5 mm ² or more) |
| System interconnection wires | H07 RN-F or 60245 IEC 66 (1.5 mm ² or more) |

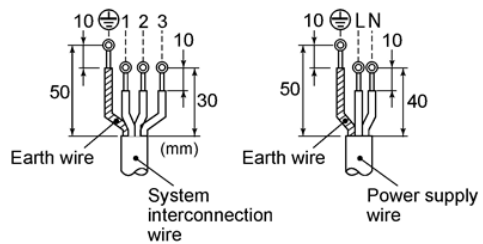
How to wire

1. open the electrical control panel door.
2. Connect the power supply wires and system interconnection wires to the terminal block of the electrical control panel.
3. Tighten the screws of the terminal block, connect the wires matching the terminal numbers (Do not apply tension to the connecting section of the terminal block.)
4. Close the electrical control panel door.
 - When connecting the system interconnection wire to the outdoor unit terminal, prevent water from coming into the outdoor unit.
 - Insulate the unsheathed cords (conductors) with electrical insulation tape. Process them so that they do not touch any electrical or metal parts.
 - For system interconnection wires, do not use a wire joined to another on the way. Use wires long enough to cover the entire length.



Stripping length power cord and system

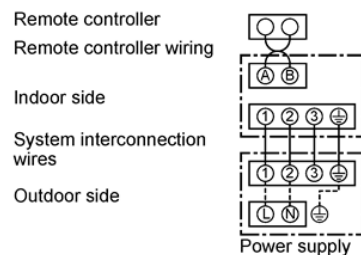
interconnection wire



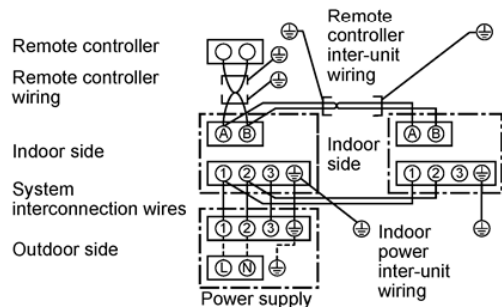
Wiring diagram

* For details on the remote controller wiring / installation, refer to the Installation Manual enclosed with the remote controller.

Single system



Simultaneous twin system



* Use 2-core shield wire (MVVS 0.5 to 2.0 mm² or more) for the remote controller wiring in the simultaneous twin system to prevent noise problems. Be sure to connect both ends of the shield wire to earth leads.

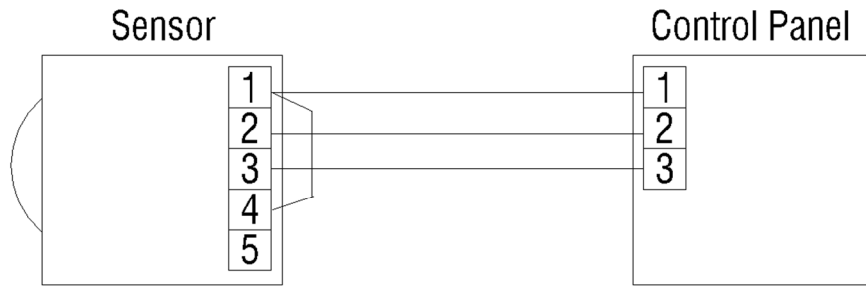
* Connect earth wires for each indoor unit in the simultaneous twin system.

EARTHING WARNING

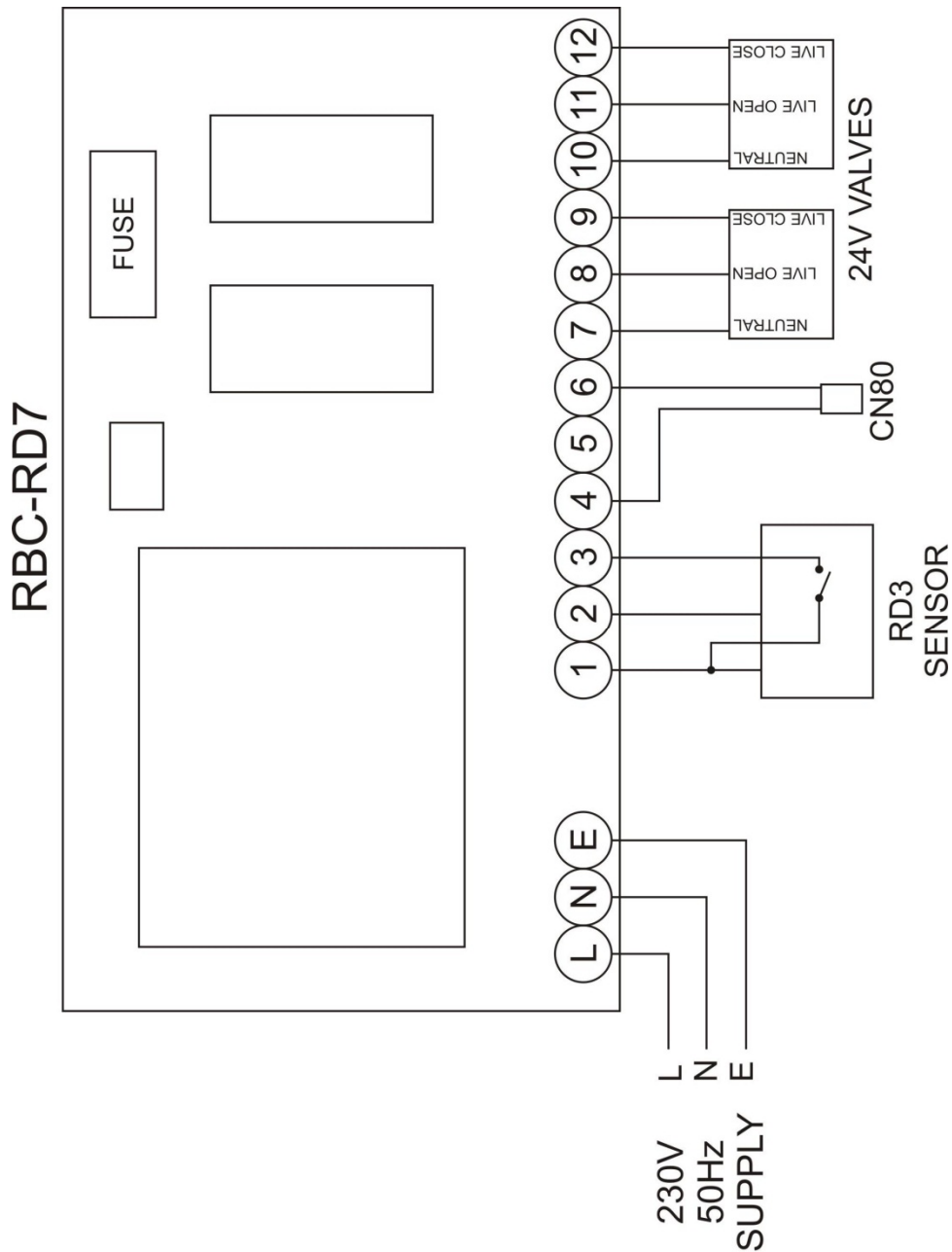
Be sure to connect the earth wire. (grounding work)
Incomplete grounding may cause an electric shock.

Connect the earth wire properly following applicable technical standards. Connecting the earth wire is essential to preventing electric shock and to reducing noise and electrical charges on the outdoor unit surface due to the high-frequency wave generated by the frequency converter (inverter) in the outdoor unit. If you touch the charged outdoor unit without an earth wire, you may experience an electric shock.

Details of Operation and Wiring



- Connect the room sensor to the RBC-RD7 Panel using three core a 0.75mm² cable
- Connect a link wire between terminals 1 and 4 on the room leak detection sensor
- Connect the refrigeration isolation valves to the RBC-RD7 Panel



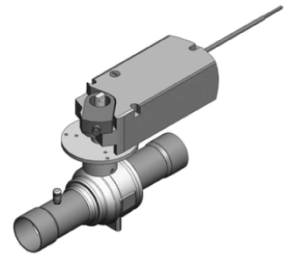
RBC-RD7 - Control Circuit Wiring

■ Fitting the Isolating Valves

The isolating valves are to be fitted in line with the instructions supplied with them. Ensure they are located inside the building where the pipe work enters, but not within the protected refrigerant detection area.

Ensure the valves are “wet ragged wrapped” to keep cool while brazing to ensure seals are not damaged.

Connect the isolation valve wiring to the dedicated terminals within the control panel.



WARNING

- DO NOT OPEN THE ACTUATOR. IF THE ACTUATOR IS INOPERATIVE, REPLACE THE UNIT.
- Do not wire different types of actuators in parallel with these models.
- Personal injury/loss of life may occur if a procedure is not performed as specified.
- Equipment damage or loss of data may occur if the user does not follow a procedure as specified.
- To avoid injury or loss of life, pay attention to any hazardous voltage when performing checks.

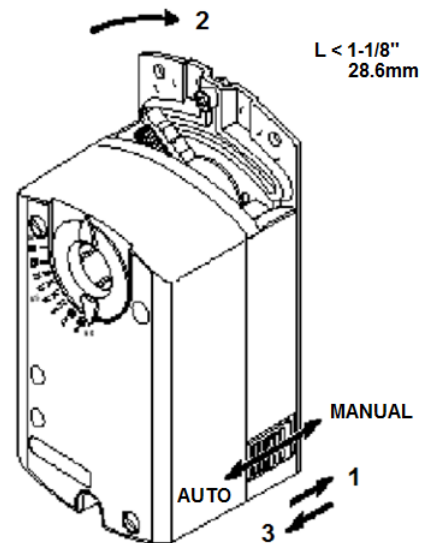
CAUTION

IMPORTANT - Before commencing brazing of valve and pipe connection joints the valve must be in the “Open” position. Failure to manually open the valve may result in damage to internal components and malfunction in operation.

Manual Override

To move the valve and lock the position with no power present:

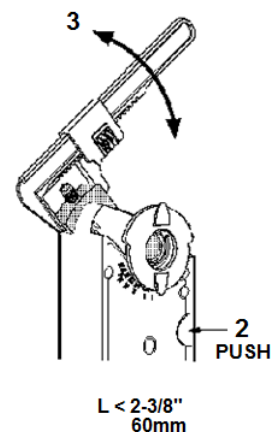
4. Slide the red manual override knob toward the back of the actuator.
 5. Make adjustments to the valve position.
 6. Slide the red manual override knob toward the front of the actuator.
- Once power is restored, the actuator returns to automatic control.



To move the valve and lock the position with no power present:

4. Hold down the PUSH button.
5. Make adjustments to the valve position.
6. Release the PUSH button.

Once power is restored, the actuator returns to the automatic control.

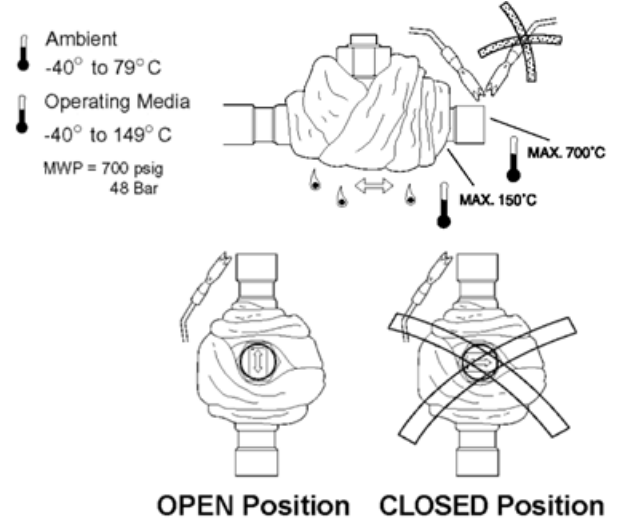


Brazing Pipe Joints



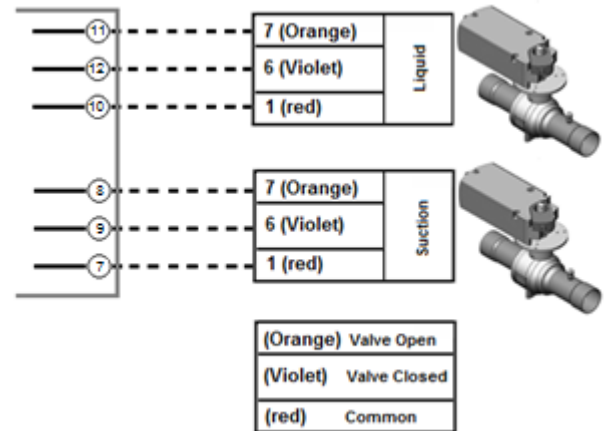
IMPORTANT - After manually opening the valve and before commencing brazing of pipe connection joints, wrap a wet cloth around the valve body to keep it cool during brazing. If the valve is not cooled enough, the heat transfer may result in damage to internal components, malfunction in operation and cause gas leaks.

When brazing refrigerant pipes joints, use nitrogen gas in order to prevent oxidation of the inside of the pipes; otherwise clogging of the refrigerating cycle due to oxidized scale may occur.

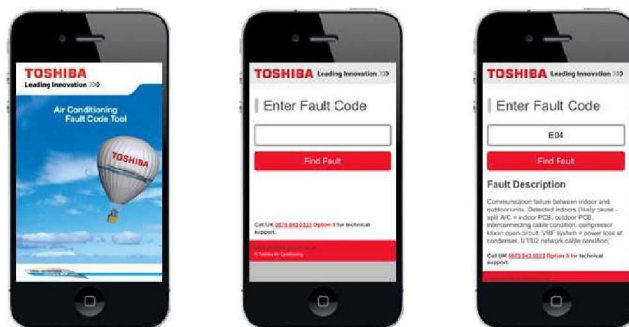


Details of Operation and Wiring

7. **Maximum cable connection length is 40m. Use 3 Core 0.75mm² cable.**
8. Check that the wires are connected correctly.
9. Connect wires 1 (red) and 6 (violet) to a Digital, Multimeter (DMM) with the dial set at Vac. Apply a control signal (24 Vac) to wires 1 and 6 to verify that the operating voltage is within range.
10. Check that the direction of the rotation switch matches the rotation of the valve ball.
 - a. Check the operation.
 - b. Connect wire 1 (red) to the actuator.
 - c. Apply a control signal (24 Vac) to wires 1 (red) and 6 (violet).
 - d. Allow the actuator shaft coupling to rotate from 0 to 90°.
11. Stop applying a control signal to wires 1 (red) and 6 (violet).
 - a. Check the Auxiliary Switch A.
 - b. Set the DMM dial to Ohms (resistance) or continuity check.
 - c. Connect wires S1 and S3 to the DMM. The DMM should indicate an open circuit or no resistance.
 - d. Apply a control signal (24 Vac) to wires 1 (red) and 6 (violet). The DMM should indicate contact closure as the actuator shaft coupling reaches the setting of switch A.
 - e. Stop applying a control signal to wires 1 (red) and 6 (violet).
 - f. Connect wires S1 and S2 to the DMM. The DMM should indicate an open circuit or no resistance.
12. Apply a control signal (24 Vac) to wires 1 (red) and 7 (orange). The DMM should indicate contact closure as the actuator shaft coupling reaches the setting of switch A.
 - a. Check the Auxiliary Switch B.
 - b. Set the DMM dial to Ohms (resistance) or continuity check.
 - c. Connect wires S4 and S6 to the DMM. The DMM should indicate an open circuit or no resistance.
 - d. Apply a control signal (24 Vac) to wires 1 (red) and 6 (violet). The DMM should indicate contact closure as the actuator shaft coupling reaches the setting of switch B.
 - e. Stop applying a control signal to wires 1 (red) and 6 (violet).
 - f. Connect wires S4 and S5 to the DMM. The DMM should indicate an open circuit or no resistance.
 - g. Apply a control signal (24 Vac) to wires 1 (red) and 7 (orange). The DMM should indicate contact closure as the actuator shaft coupling reaches the setting of switch B.



| Standard Symbol | Function | Terminal Designation | Colour Code |
|-----------------|----------------------------------|----------------------|-------------|
| 1 | Supply (SP) | G | Red |
| 6 | Control signal clockwise | Y1 | Violet |
| 7 | Control signal counter clockwise | Y2 | Orange |



Fault code diagnosis apps now available
Platforms are Apple iPhone & Android



24 Hour Technical Helpline: 0870 843 0333
Fault & DN Code Apps: Android & iPhone
Web Page toshiba-calc.co.uk/fault-codes/
Fault Code Text Service: 07624 803 017
technical.enquiries@toshiba-ac.com

Technical Department

TOSHIBA

AIR CONDITIONING

A division of Toshiba Carrier UK Limited
Parkfield House, Manchester Old Road, Middleton, Manchester, M24 4DY
www.toshiba-aircon.co.uk

Tel: 44 (0) 870 843 0333 Fax: 44 (0) 161 794 4743