

MMU-UP\_YHP/SH  
1-WAY CASSETTE

**NEW**



Toshiba's innovative slim-line 1-Way Cassette is simple to install and suitable for small areas, such as hotels, offices and reception rooms.

OUTDOOR UNITS COMPATIBILITY



Side Blow & Mini SMMS-e

SMMS-u

SMMS-e

SHRM-e

LOCAL CONTROLS



RBC-AXU31C-E  
RBC-AX33UYP-E  
(YHP only)



RBC-ASCU11-E  
RBC-AMTU31-E  
RBC-AMSU51-EN/ES

CAPACITY



0.3 HP < 2.5 HP

SOUND PRESSURE LEVEL



25dB(A)

Features

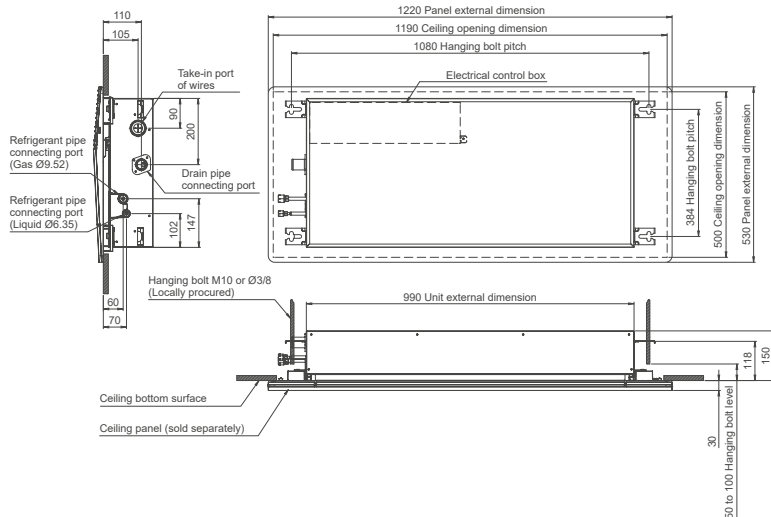
PRELIMINARY DATA

Model name	MMU-	UP0031YHP-E	UP0051YHP-E	UP0071YHP-E	UP0091YHP-E	UP0121YHP-E	UP0151SH-E	UP0181SH-E	UP0241SH-E	
Capacity code	HP	0,3	0,6	0,8	1	1,3	1,7	2	2,5	
Cooling capacity	kW	0,9	1,7	2,2	2,8	3,6	4,5	5,6	7,1	
Heating capacity	kW	1,3	1,9	2,5	3,2	4	5	6,3	8	
Electrical characteristics	Power supply	1 phase 50Hz 220-240V / 1 phase 60Hz 220V (Separate power supply for indoor units is required.)					1 phase 50Hz 220-240V / 1 phase 60Hz 220V (Separate power supply for indoor units is required.)			
	Running current	50 Hz	0,15	0,15	0,18	0,19	0,20	0,34	0,37	0,62
		60 Hz	N/A	N/A	N/A	N/A	N/A	0,35	0,39	0,62
	Power consumption (50/60Hz)	kW	0,015	0,015	0,017	0,018	0,018	0,042 / 0,041	0,046 / 0,045	0,075 / 0,073
	Starting current (50/60Hz)	A	N/A	N/A	N/A	N/A	0,51 / 0,53	0,54 / 0,54	0,80 / 0,80	
Appearance	Main unit	Heat-insulating material attached Zinc hot dipping steel plate								
Ceiling panel	Model	RBC-UY32P-E						RBC-US21PGE		
Panel colour		Moon white (Munsell 2.5GY9.0/0.5)								
Outer dimension	Main unit	HxLxP	mm					mm		
	Ceiling panel	HxLxP	mm					mm		
Total weight	Main unit	kg	kg					kg		
	Ceiling panel	kg	kg					kg		
Heat exchanger		Finned tube								
Sound proof / Heat-insulating material		Non-flammable insulation					Polyethylene foam + Expanded polyethylene			
Fan unit	Fan	Centrifugal fan								
	Standard air flow (High/Mid./Low)	m³/h	480/370/270	480/370/270	500/390/270	520/410/290	540/420/290	750 / 690 / 630	780 / 720 / 660	1140 / 960 / 810
	Motor output	W	30							
Sound pressure level (High/Mid/Low)	dB(A)	37/33/25	37/33/25	38/34/25	39/35/26	40/36/26	37 / 35 / 32	38 / 36 / 34	45 / 41 / 37	
Sound power level (High)	dB(A)	N/A	N/A	N/A	N/A	N/A	52	53	60	
Air filter		Standard filter Long life filter) / Air purifier available as option					Standard filter (Long life filter)			
Controller		Remote controller								
Connecting pipe	Gas pipe	inch	3/8"	3/8"	3/8"	3/8"	3/8"	1/2"	1/2"	5/8"
	Liquid pipe	inch	1/4"	1/4"	1/4"	1/4"	1/4"	1/4"	3/8"	
	Drain port (Nominal dia.)	mm	25 (Polyvinyl chloride tube)							

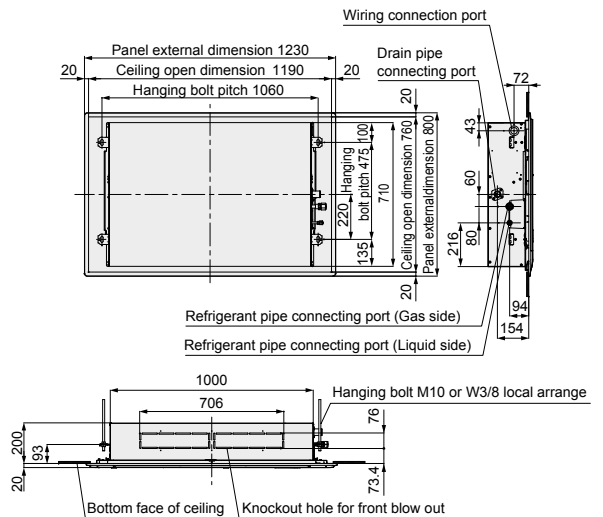
Drawings

Unit: mm

MMU-UP0031YHP-E to MMU-UP0121YHP-E



MMU-UP0151SH-E to MMU-UP0241SH-E



## 1-WAY CASSETTE

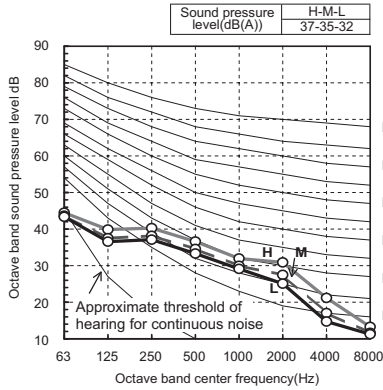
### Sound pressure levels

Unit: dB(A)

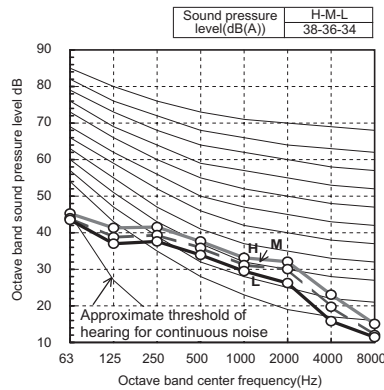
#### MMU-UP0031YHP-E to MMU-UP0121YHP-E

GRAPH IN PROGRESS

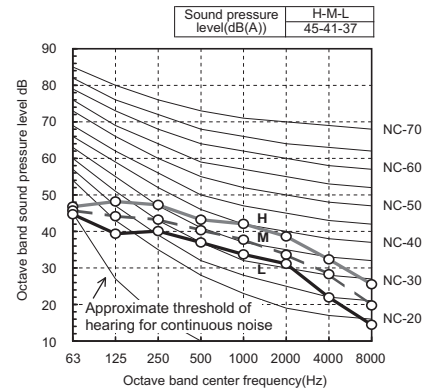
#### MMU-UP0151SH-E



#### MMU-UP0181SH-E



#### MMU-UP0241SH-E



↑ IDU

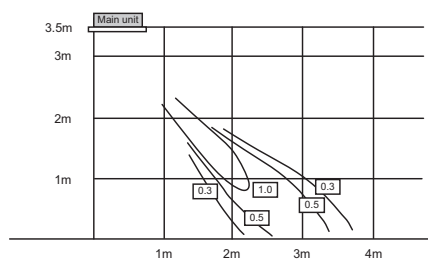
### Air diffusion

Unit: m/s

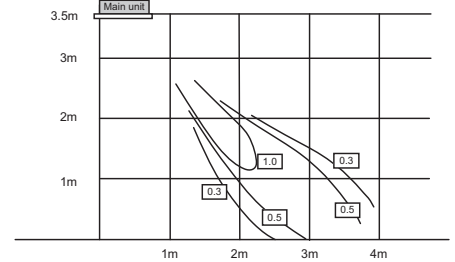
#### MMU-UP0031YHP-E to MMU-UP0121YHP-E

GRAPH IN PROGRESS

#### MMU-UP0151SH-E, UP0181SH-E

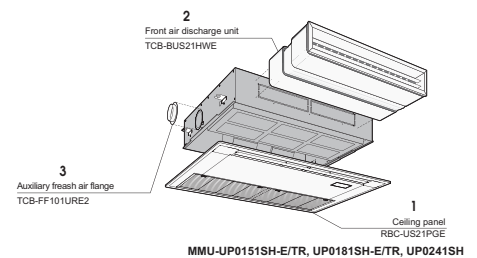


#### MMU-UP0241SH-E



### Accessories

No	Part name	Model name	Applied model	Note	Remarks
1	Panel	RBC-UY32P-E	MMU-UP_1YHP-E	1-Way cassette panel without receiver	Required accessory
		RBC-US21PGE			Required accessory
2	Front air discharge unit	TCB-BUS21HWE	MMU-UP_1SH-E		
3	Auxiliary fresh air flange	TCB-FF101URE2			
-	Air purifier kit	TCB-EAPC1UYHP-E	MMU-UP-1YHP-E	Set of Plasma Air Purifier, Dust sensor, Air quality indicator and Wireless receiver	
-	Occupancy sensor	TCB-SIR41UYHP-E	MMU-UP-1YHP-E	Occupancy sensor	Cannot match with Wireless receiver Kit
-	Wireless receiver kit	RBC-AX33UYHP-E	MMU-UP-1YHP-E	Wireless RC kit	Cannot match with Occupancy sensor



### 1-way cassette connectors

	CN32	CN60	CN61	CN70	CN73	CN80
Additional ventilation control from remote control		Operation status signal output (cooling, heating, fan, defrost, thermo-on)	External On/Off, operation output and alarm output	Warning symbol on remote control based on signal input. No IDU thermo off	Forced IDU thermo-off based on signal input	Forced IDU thermo-off and IDU lock based on signal input
YHP	•	TCB-PCUC2E pcb needed	•	TCB-PCUC2E pcb needed	TCB-PCUC2E pcb needed	TCB-PCUC2E pcb needed
SHP	•	•	•	•	•	•