

TOSHIBA



RESIDENTIAL (INCLUDING A2W) PRODUCT SPECIFICATION



ENERGY EFFICIENT



CARBON NEUTRAL



INNOVATIVE



CUSTOMER CENTRIC

> COMMITMENT TO BETTER AIR SOLUTIONS

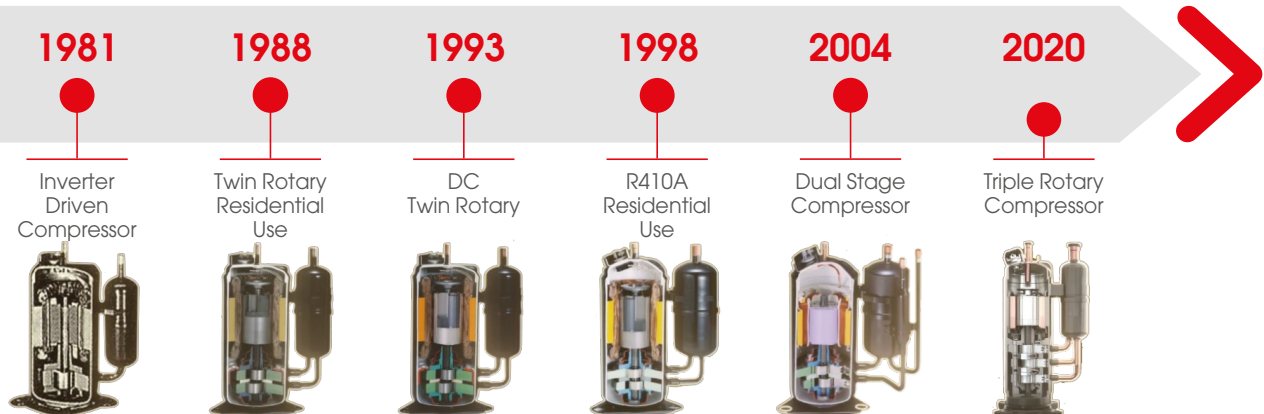


Toshiba Air Conditioning supports Carrier's 2030 Environmental, Social, and Governance (ESG) goals, including the goal to reduce its customers' carbon footprint by more than 1 gigaton. We help to address climate change by going further than just products and beyond their basic functions, to create reliable and safe solutions that can interact with each other and with users. With the forward-thinking solutions by Toshiba Air Conditioning, we help deliver healthy, safe and productive indoor environments.

> CHOOSE THE EXPERT OF INSPIRED TECHNOLOGIES

Since Toshiba Air Conditioning developed and mass-produced the world's-first inverter split air conditioners for commercial and residential applications in 1980 and 1981, which is a historically significant milestone recognized by the Institute of Electrical and Electronics Engineers (IEEE), inverter technology has been widely used throughout the world to deliver comfort with high energy efficiency.

Inverter technology enables the unit to continuously regulate its cooling and heating capacity by altering the speed of the compressor using a variable-frequency drive to control the speed of the motor. This innovation helps generate outstanding comfort and efficiency levels.



Our commitment to world-class **efficiency**, versatile **scalability** and leading **quality** means we create cutting-edge technologies to find the most forward-thinking solutions possible for your world. Toshiba Air Conditioning is an innovative provider of comprehensive air conditioning solutions with world-class reliability.

> Top-class energy efficiency

- High volume triple rotary compressor
- Twin rotary compressors
- All climates from -30°C (DAISEIKAI™ 9) to 54°C (MiNi SMMS-e Middle East range)
- Top class A+++ air to water heating solutions with ESTIA™ R32
- Refrigerants with lower environmental impact
- Optimal temperature control solutions with precision

> Scalable solutions

Toshiba Air Conditioning develops cutting-edge technologies that benefit people by offering the ideal combination of comfort and products that help to protect the environment for residential, light commercial and large building applications.

> Superior manufacturing quality

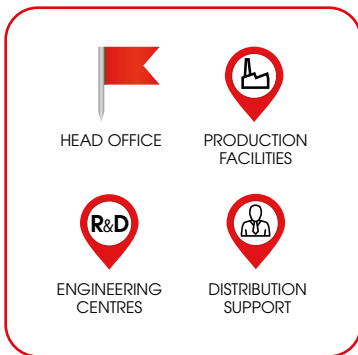
Toshiba Air Conditioning's innovations provide comprehensive building air conditioning solutions which have been subject to strict evaluation testing to offer world-class reliability.

Third party institute certifications for quality, safety and performance, guaranteed (TÜV, Eurovent, WEEE, RoHS, REACH, Intertek, Keymark).



> TAILORED TO MEET CHALLENGES

Toshiba Air Conditioning, with heat pump technology at its core, contributes to people's well-being while respecting the environment. For deCADEs, Toshiba Air Conditioning has been receiving prestigious awards for its significant achievements in air conditioning. This demonstrates the innovative spirit of Toshiba Air Conditioning, a relentless drive to improve its products and systems.



PLYMOUTH, UNITED KINGDOM



TCEU - DISTRIBUTION SUPPORT
and
TCEU - ENGINEERING CENTRE

STOCKPORT, UNITED KINGDOM



TCUK
TRAINING CENTRE OF EXCELLENCE

GNIEZNO, POLAND



TCAE - PRODUCTION FACILITIES
and
TCAE - ENGINEERING CENTRE



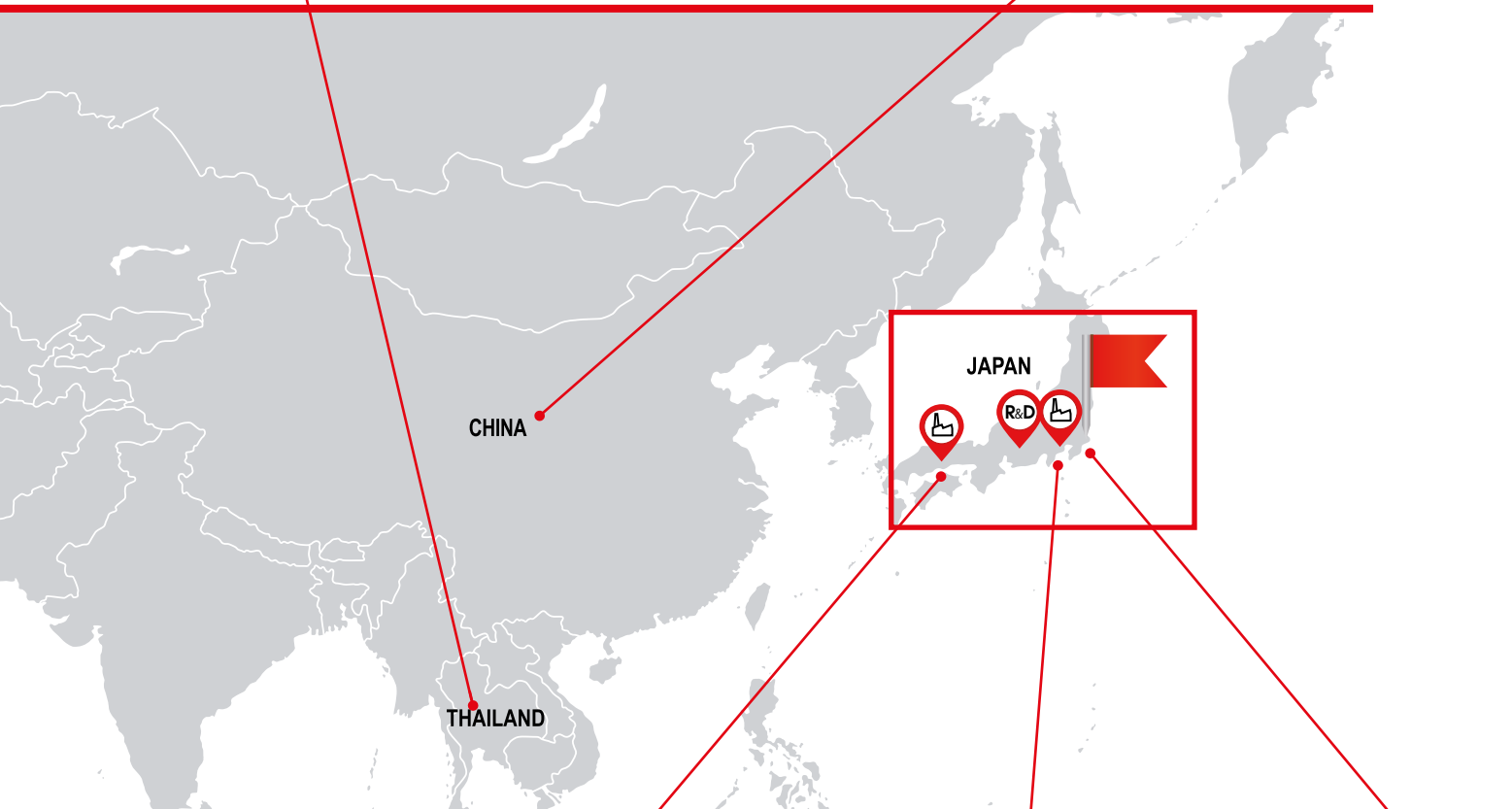
PATHUMTHANI, THAILAND

TCTC - ENGINEERING CENTRE
and
TCTC - PRODUCTION FACILITIES



HANGZHOU, CHINA

TCAC - PRODUCTION FACILITIES



TSUYAMA-CITY, JAPAN

TCC - PRODUCTION FACILITIES



FUJI-CITY, JAPAN

TCC - PRODUCTION FACILITIES
and
TCC - ENGINEERING CENTRE



KAWASAKI-CITY, JAPAN

TCC - HEAD OFFICE

> LEADING THE WAY TO EXCELLENCE

> Products designed and engineered to perform

Toshiba Air Conditioning strengths center on in-house research and development of advanced technologies and core components. Its global research activities are managed and integrated to ensure all research sites collaborate to provide innovative solutions to customers across the world.

> Forward-thinking technologies to support building decarbonisation

Toshiba Air Conditioning combines technological development with consideration for future generations, resulting in a range of extremely energy-efficient air conditioners, helping to reduce greenhouse gas emissions at their source. Its continuous research into the development of inverter technology has provided remarkable results, both with regards to meeting the required comfort levels and continually reducing the system's energy consumption.



Quality production



Outdoor units production



Indoor units production

> Entire production process certified by international quality assurance institutes

All products provide high operating efficiency and cooling, as they participate in the Eurovent programme. This acts as a guarantee for customers and users that the products will operate in accordance with the design specifications and that the data published is grounded by evidence.

Toshiba Air Conditioning participates in the Eurovent Certification Performance programme for AC1, AC2 & VRF.

Check ongoing validity of certificate: www.eurovent-certificate.com

For Estia certification, refer to Keymark heat pump certification program: www.heatpumpkeymark.com



> In line with European standards

To improve its environmental responsibility, Toshiba Air Conditioning offers products that meet the following European standards:

EN 14511

Air conditioners, liquid chilling packages and heat pumps with electrically driven compressors for space heating and cooling. Test methods.

EN 14825

Air conditioners, liquid chilling packages and heat pumps, with electrically driven compressors, for space heating and cooling. Testing and rating with part loads and calculation of seasonal performance.

EN 16147

Heat pumps with electrically driven compressors. Testing, performance rating and requirements for marking domestic hot water units.



Japan - Fuji Operations R&D Centre e-THIRD building

> THE WORLD IS TARGETING ZERO EMISSIONS

Today the process of cooling and heating buildings is not the sole challenge. Global warming is an issue that affects all of us and Toshiba Air Conditioning is prioritizing the decarbonisation of buildings as a top priority.

The R32 based solutions proposed by Toshiba Air Conditioning help achieve this goal, whilst also preserving comfort and cost-effectiveness.

> A range in line with our goal to reduce our customers' carbon footprint

Toshiba Air Conditioning is offering a complete range of air-to-air products dedicated to cooling and heating in comfort applications. With system solutions from 2 to 67kW, we can address residential, light commercial and business markets requirements.

Residential

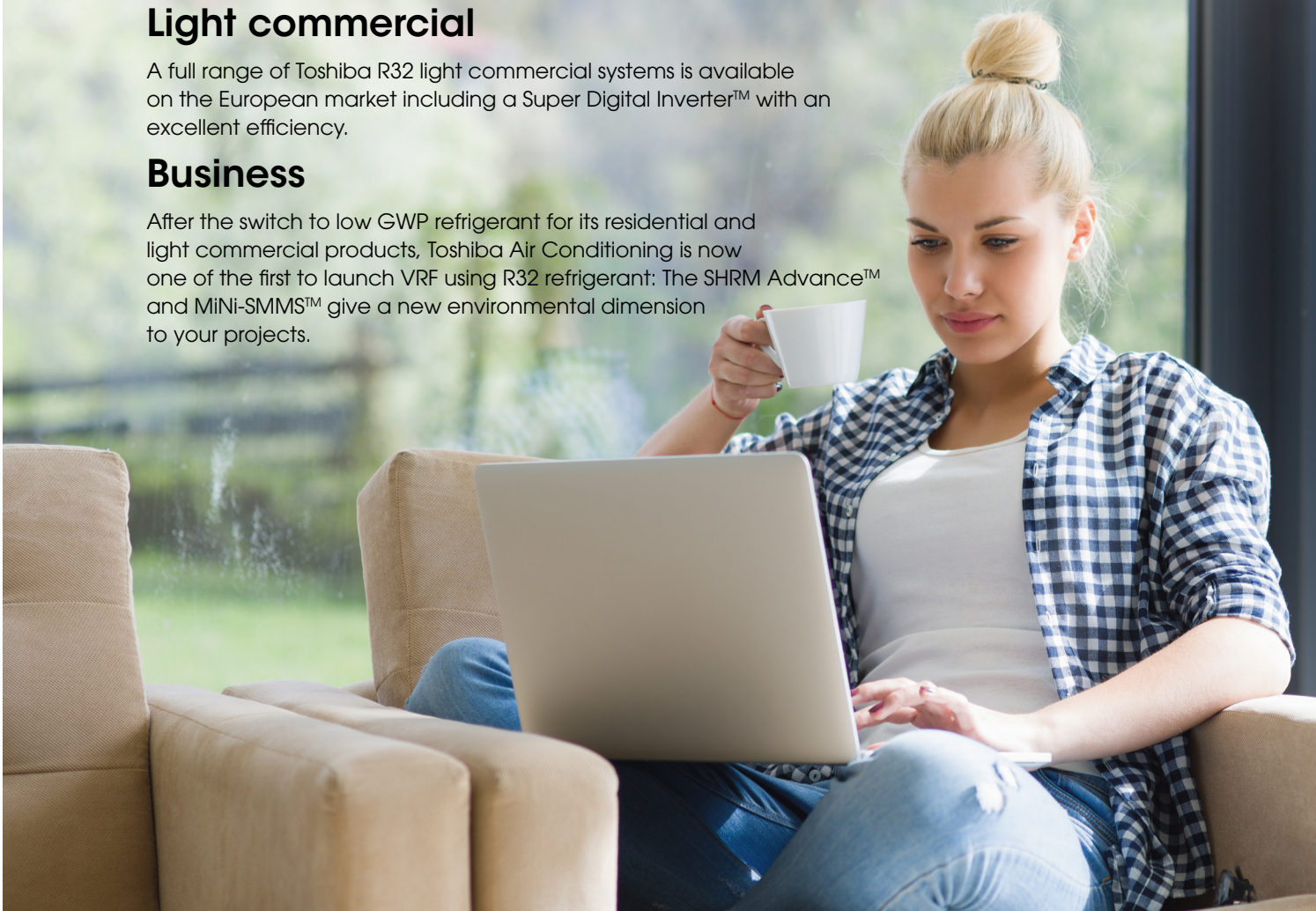
HAORI™ is a truly elegant air conditioner, featuring a stylish textile fabric cover that uses Toshiba inverter and compressor technology with R32 refrigerant, offering A+++ performance and year-round comfort.

Light commercial

A full range of Toshiba R32 light commercial systems is available on the European market including a Super Digital Inverter™ with an excellent efficiency.

Business

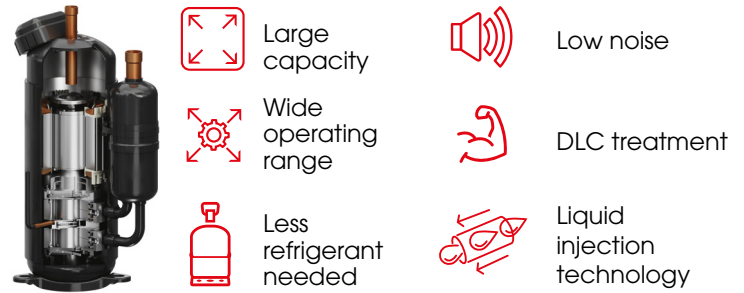
After the switch to low GWP refrigerant for its residential and light commercial products, Toshiba Air Conditioning is now one of the first to launch VRF using R32 refrigerant: The SHRM Advance™ and MiNi-SMMS™ give a new environmental dimension to your projects.





> The right choice...

The fundamental design and control of Toshiba Air Conditioning systems remains unchanged with the R32 refrigerant. Toshiba Air Conditioning unique combination of twin rotary compressors and all inverter driven control also contributes to guaranteed accuracy and expertise of flawless Japanese quality. All these result in the high level of performance and efficiency our customers are used to.

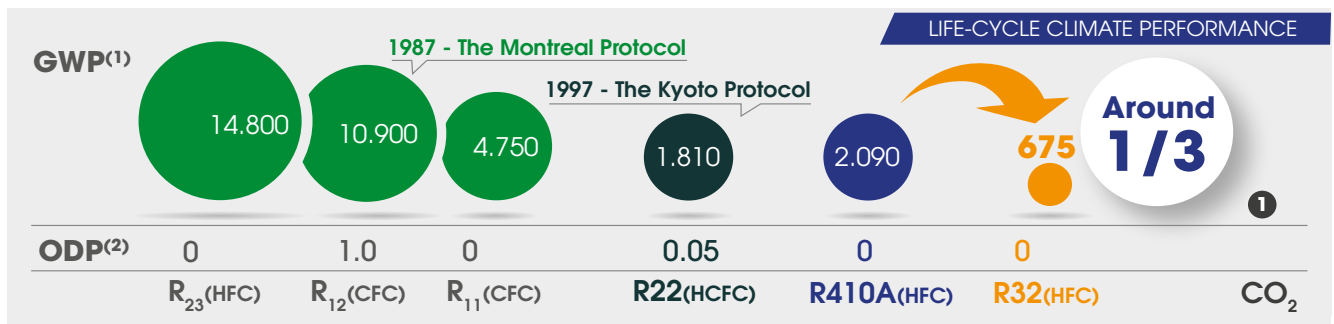


Toshiba Twin rotary compressor with new liquid injection technology, your best ally. Centre piece of the system, the Toshiba super-efficient twin rotary compressor has been engineered to match R32 refrigerant requirements.

> ...to the benefit of all

Design to help protect the environment

- The right balance between environment safety and your comfort
- Energy efficiency increased for greater savings

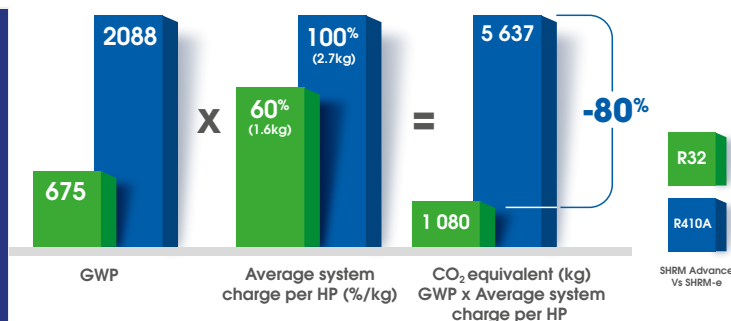


⁽¹⁾ Global Warming Potential
⁽²⁾ Ozone Depletion Potential

Installer friendly

- Working pressures for R410A and R32 refrigerants are similar
- R32 refrigerant can be easily charged in both liquid or gas state
- Safety commissioning instructions are similar to those for R410A
- R32 and R410A equipments is the same except for the refrigerant recovery pump and the reclaim cylinder
- Toshiba flare joints certified ISO14903

Low GWP with R32 refrigerant and 40% less refrigerant charge in SHRM Advance have led to an 80% reduction in the total CO₂ equivalent of the system, in comparison with legacy model using R410A refrigerant.



> F-GAS COMPLIANCE

> TOSHIBA AIR CONDITIONING RESPONDS TO REGULATORY EVOLUTIONS

The European F-gas regulation (517/2014) has been in force since 1 January 2015. It aims to protect the environment by reducing greenhouse gas emissions and progressively deploying new rules related to the use of Hydrofluorocarbons refrigerants (HFCs) in heating and cooling systems. This regulation introduces an ambitious gradual reduction of HFC quantities that are put on the market in the EU by HFC producers and distributors (in equivalent tons of CO₂), with an initial reduction of 37% from 2018 and a final objective of cutting quantities by 79% by 2030.

This regulation has driven manufacturers to turn to refrigerants with lower Global Warming Potential (GWP) and Toshiba air conditioning is no exception; efforts have been made to pursue lower GWP refrigerant while the reduction of refrigerant charge volume has been explored.



*HFC consumption compared to equivalent tons of CO₂

> Your safety first and foremost

Based on the requirements of the F-gas regulation, only certified installers can carry on Dx system installations. The implementation of systems using HFC requires thus some specific precautions such as a strict control of the leakages and a periodic checking of the refrigerant charge.

For equipment containing			Leak checks without leak detection	Leak checks with leak detection
Between 5 and 50 tonnes CO ₂ equivalent	2.38 and 23.8kg R410A	7.41 and 74.1kg R32	Every 12 months	Every 24 months
Between 50 and 500 tonnes CO ₂ equivalent	23.8 and 238kg R32	74.1 and 740kg R32	Every 6 months	Every 12 months
More than 500 tonnes CO ₂ equivalent	More than 238kg R410A	More than 740kg R32	Every 3 months	Every 6 months

ECODESIGN & ENERGY LABELLING

The European 2030 climate and energy framework for improving energy efficiency will have a significant impact on the heating, ventilation and air conditioning sectors.

Today, buildings are responsible for the largest energy consumption, with HVAC systems being the most energy-intensive of all. The HVAC sector is now committed to manufacturing energy-efficient products for its clients to favour sustainable development.

Ecodesign and Energy Labelling for Air-to-Water heat pumps

Air-to-Water heat pumps have been subject by the Ecodesign (< 400kW) and Energy Labelling (< 70kW) regulations since 26 September 2015. Heat pumps launched before this date are not concerned and all must conform to display the CE mark.

For more information visit www.ecodesign.toshiba-airconditioning.eu

New energy efficiency metric: Seasonal efficiency (SEER and SCOP)

The Seasonal Coefficient of Performance is a new European parameter to rate heat pumps in terms of energy efficiency. It is an update to the Coefficient of Performance, which previously recorded the power consumed to power produced ration in heating and cooling modes for one operating point.

Unlike the EER/COP, the SEER/SCOP takes into account performances during cooler seasons because it indicates temperature variations by including numerous realistic measurement points. When combined, this results in a more accurate energy classification.

SEER/SCOP compared to EER/COP

TEMPERATURE		CAPACITY (KW)		AUX		HOURS	
EER COP	SEER SCOP	EER COP	SEER SCOP	EER COP	SEER SCOP	EER COP	SEER SCOP
One temperature requirement	Numerous rating temperatures (range of average temperatures)	Full load	Partial load + Full load	Auxiliary power modes are not considered	Incl. consumption auxiliary modes: - Standby mode - Off mode - Thermostat off, etc.	N/A	Number of hours at each air temperature (in hours)

SEASONAL COEFFICIENT OF PERFORMANCE CALCULATION

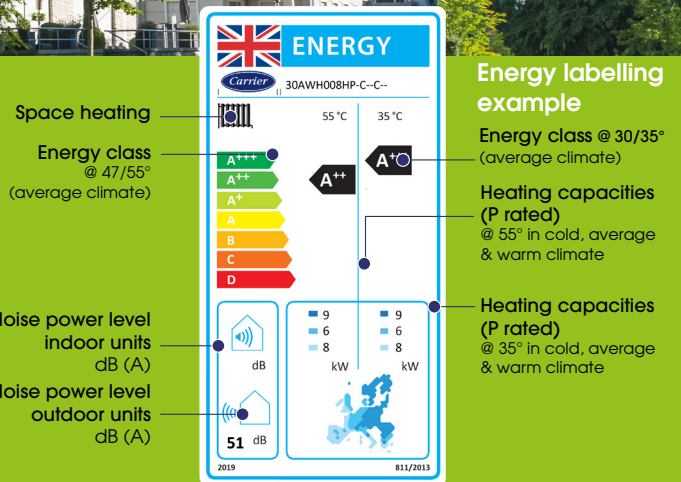
This is the ratio between annual heating/cooling demand and annual energy input over an entire heating/cooling season.

$$\begin{aligned}
 \text{SCOP} &= \frac{\text{ANNUAL HEATING DEMAND}}{\text{ANNUAL ENERGY INPUT}} \\
 \text{SEER} &= \frac{\text{ANNUAL COOLING DEMAND}}{\text{ANNUAL ENERGY INPUT}}
 \end{aligned}$$



ENERGY LABELLING


The Energy Labelling regulation was created to offer end users information about a product's energy efficiency rating. European Energy Labelling regulations also assign ratings from G to A++ based on their energy efficiency, inciting better ratings in the sector and providing clients with clearer information.





Designed for the future


Toshiba Air Conditioning is committed to designing products and solutions with increasingly lower environmental impacts. This is subsequently reducing indirect CO₂ emissions generated by electricity consumption. Toshiba Air Conditioning long-standing commitment to sustainable development is ahead of schedule for the European climate and energy package requirements for 2030.


All Toshiba Air Conditioning products sold today in Europe are fully compliant with the latest Ecodesign directives.


 Lot 1: Air-to-Water heating systems up to 400kW including air-to-water heat pumps >>> ESTIA™ SPLIT.

 Lot 2: Water heaters and hot water storage tanks. Including tanks >>> ESTIA DHW-HP.

 Lot 6: Residential and non residential ventilation including air treatment VN units.

 Lot 10: Air-to-Air heat pumps up to 12kW >>> SEYIA™, SHORAI™ Edge, HAORI™, DAISEIKAI™ 9, Console, Digital Inverter, Super Digital Inverter.

 Lot 11: Electric motors from 125W to 500kW including ventilation fans.

 Lot 21: Heat pumps above 12kW including residential, light commercial systems and VRF >>> Digital Inverter™, Super Digital Inverter™, Big Digital Inverter™, Mini SMMS-e™, SMMS-e™, SHRM-e™, SMMS-u™ and SHRM Advance™.

Toshiba Air Conditioning dedicated public website provides energy labels with detailed performances for all systems.

For more information visit
www.ecodesign.toshiba-airconditioning.eu

EXPERIENCE THE FUTURE



> TO GUIDE YOU

A++ IN HEATING & COOLING	OUTSTANDING PERFORMANCE	INTERACTIVE	CAPACITY	OPERATION RANGE	D.H.W	LOW SOUND LEVEL	HIGH AIR FLOW	TWIN ROTARY COMPRESSOR	LIGHT WEIGHT	NFC COMPATIBLE	SPIGOT COMPATIBLE
EASY INSTALLATION	COMPACT	Built in WI-FI	INFRARED CONTROLLER	ENHANCED FILTRATION	SELF CLEANING	ADJUSTABLE HEIGHT	ENERGY SAVING	AIR DISTRIBUTION	FLEXIBLE PIPING	REDUCED FOOTPRINT	STATIC PRESSURE
INDIVIDUAL HOUSING	REFURBISHMENT	SHOPS	RETAIL	BUSINESSES	ADMINISTRATION	HOTELS	HEALTHCARE	OFFICES			

Contents	Model References	Pages
RAS High Wall Systems		15 - 56
High-Wall Inverter Split System - SEIYA	B0*E2KVG-E	15 - 25
High-Wall Inverter Split System - SHORAI Edge - Black/White	B0*G3KVSG(B)-E	26 - 36
High-Wall Inverter Split System - HAORI	B1*N4KVRG-E1	37 - 41
High-Wall Inverter Split System - DAISEIKAI 9	1*PKVPG-E	42 - 46
High-Wall Inverter Split System - DAISEIKAI 10 - Wood/White	B1*S4KV*G-E	47 - 51
Inverter Split System - Bi-Flow Console	B1*J2FVG-E	52 - 56
RAS Multi Split Inverters		57 - 78
Multi Split Inverter Outdoor Unit	*M1*G3AVG-E	57 - 64
Multi Compact Cassette	M1*U2MUVG-E	65 - 68
Multi Slim Ducted	M*U2DVG-E	69 - 75
RAS Controls and Accessories		76 - 78
ESTIA Air-To-Water		79 - 95
ESTiA Outdoor Unit 1ph	HWT-*01HW-E	79 - 84
ESTiA Outdoor Unit 3ph	HWT-*01H8W-E	85 - 87
ESTiA Hyrdo Unit	HWT-*01XWHM*W-E	88 - 90
ESTiA Domestic Hot Water Tank	HWS-*CSHM3-UK	91 - 93
ESTiA Controls and Accessories		94 - 95
Brochures		96
Brochures		96
Contact Us		97
Contact Us		97

S E I Y A



SEIYA: RAS - B05E2KVG-E

- A++ in both Heating and cooling.
- Power supply to indoor or outdoor unit.
- Compatible with Wi-Fi when utilizing adapter.
- Sleek and compact suitable for all applications.
- Available in both single and multi split applications.



Retail Price (interactive icons):




UK



ROI



Hi - Res Image 

ENTRY TIER PRODUCT RANGE

CODE		15		
Performance				
Indoor Unit		RAS-	B05E2KVG-E	
Outdoor Unit		RAS-	05E2AVG-E	
Nominal	Cooling Capacity	kW	1.5	
	Heating Capacity	kW	2.0	
	EER/COP	W/W	4.17/4.26	
UK	Cooling Total/Sensible	kW	1.47/1.22	
	Heating	kW	1.18	
Cooling EN14825	Range Min. - Max.	kW	0.75 - 2.00	
	Power Input	kW	0.36	
	Pdesign	kW	1.5	
	SEER/Energy Efficiency Class			6.90/A++
	Seasonal Energy Consumption	kWh/a		76
Heating EN14825	Range Min. - Max.	kW	0.8 - 3.00	
	Power Input	kW	0.47	
	Pdesign	kW	1.6	
	SCOP/Energy Efficiency Class			4.60/A++
	Seasonal Energy Consumption	kWh/a		487
Indoor Data				
Air Flow	High - Low	l/s	134 - 53	
	High - Low	m3/h	480 - 190	
Sound	Pressure High - Low	dB(A)	37 - 19	
	Power High - Low	dB(A)	50	
Unit	Height x Width x Depth	mm	288 x 770 x 225	
	Weight	kg	9	
Pipe Connection	Flare Connections (gas - liquid)	inch	3/8" - 1/4"	
	Drain Pipe Connection OD/ID	mm	16/14	
Remote controller			WH-TG01NE	

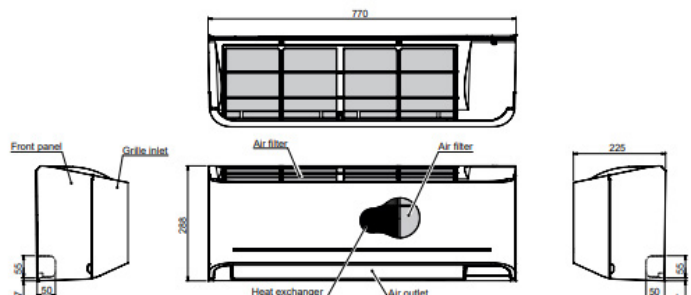
Accessories

RB-RXS33-E	Option Remote Controller (Weekly Timer)
RB-RXS34-E	Option Black remote
RB-N105S-G	Wireless adapter (Without cable)

*All [Accessories / Controls](#)

Related Items:

- [BIM Files](#)
- [Full Specification](#)
- [Dimensional Drawing](#)
- [Wiring Diagram](#)
- [Airflow/ Fan Curve](#)
- [Installation Manual](#)
- [Owners Manual](#)



SEIYA: RAS - B07E2KVG-E

- A++ in both Heating and cooling.
- Power supply to indoor or outdoor unit.
- Compatible with WI-FI when utilizing adapter.
- Sleek and compact suitable for all applications.
- Available in both single and multi split applications.



Retail Price (interactive icons):




UK



ROI



Hi - Res Image 

ENTRY TIER PRODUCT RANGE

CODE		20		
Performance				
Indoor Unit	RAS-	B07E2KVG-E		
Outdoor Unit	RAS-	07E2AVG-E		
Nominal	Cooling Capacity	kW	2.0	
	Heating Capacity	kW	2.5	
	EER/COP	W/W	3.77/3.91	
UK	Cooling Total/Sensible	kW	1.95/1.57	
	Heating	kW	1.60	
Cooling EN14825	Range Min. - Max.	kW	0.76 - 2.60	
	Power Input	kW	0.53	
	Pdesign	kW	2.0	
	SEER/Energy Efficiency Class		6.20/A++	
	Seasonal Energy Consumption	kWh/a	113	
Heating EN14825	Range Min. - Max.	kW	0.82 - 3.30	
	Power Input	kW	0.64	
	Pdesign	kW	2.0	
	SCOP/Energy Efficiency Class		4.60/A++	
	Seasonal Energy Consumption	kWh/a	609	
Indoor Data				
Air Flow	High - Low	l/s	140 - 55	
	High - Low	m3/h	500 - 200	
Sound	Pressure High - Low	dB(A)	38 - 19	
	Power High - Low	dB(A)	51	
Unit	Height x Width x Depth	mm	288 x 770 x 225	
	Weight	kg	9	
Pipe Connection	Flare Connections (gas - liquid)	inch	3/8" - 1/4"	
	Drain Pipe Connection OD/ID	mm	16/14	
Remote controller			WH-TG01NE	

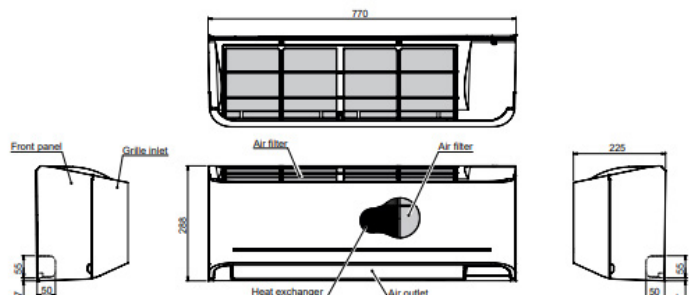
Accessories

RB-RXS33-E	Option Remote Controller (Weekly Timer)
RB-RXS34-E	Option Black remote
RB-N105S-G	Wireless adapter (Without cable)

*All [Accessories / Controls](#)

Related Items:

- [BIM Files](#)
- [Full Specification](#)
- [Dimensional Drawing](#)
- [Wiring Diagram](#)
- [Airflow/ Fan Curve](#)
- [Installation Manual](#)
- [Owners Manual](#)



SEIYA: RAS - B10E2KVG-E

- A++ in both Heating and cooling.
- Power supply to indoor or outdoor unit.
- Compatible with Wi-Fi when utilizing adapter.
- Sleek and compact suitable for all applications.
- Available in both single and multi split applications.



Retail Price (interactive icons):




UK



ROI



Hi - Res Image 

ENTRY TIER PRODUCT RANGE

CODE		25		
Performance				
Indoor Unit		RAS-	B10E2KVG-E	
Outdoor Unit		RAS-	10E2AVG-E	
Nominal	Cooling Capacity	kW	2.5	
	Heating Capacity	kW	3.2	
	EER/COP	W/W	3.57/3.72	
UK	Cooling Total/Sensible	kW	2.44/1.93	
	Heating	kW	2.03	
Cooling EN14825	Range Min. - Max.	kW	0.80 - 3.00	
	Power Input	kW	0.70	
	Pdesign	kW	2.5	
	SEER/Energy Efficiency Class			7.00/A++
	Seasonal Energy Consumption	kWh/a		125
Heating EN14825	Range Min. - Max.	kW	0.95 - 3.90	
	Power Input	kW	0.86	
	Pdesign	kW	2.4	
	SCOP/Energy Efficiency Class			4.60/A++
	Seasonal Energy Consumption	kWh/a		730
Indoor Data				
Air Flow	High - Low	l/s	144 - 64	
	High - Low	m3/h	510 - 230	
Sound	Pressure High - Low	dB(A)	39 - 20	
	Power High - Low	dB(A)	52	
Unit	Height x Width x Depth	mm	288 x 770 x 225	
	Weight	kg	9	
Pipe Connection	Flare Connections (gas - liquid)	inch	3/8" - 1/4"	
	Drain Pipe Connection OD/ID	mm	16/14	
Remote controller			WH-TG01NE	

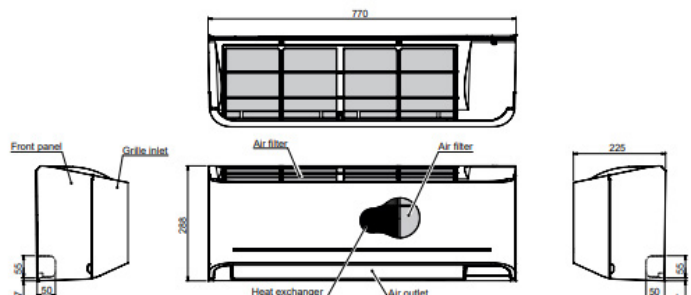
Accessories

RB-RXS33-E	Option Remote Controller (Weekly Timer)
RB-RXS34-E	Option Black remote
RB-N105S-G	Wireless adapter (Without cable)

*All [Accessories / Controls](#)

Related Items:

- [BIM Files](#)
- [Full Specification](#)
- [Dimensional Drawing](#)
- [Wiring Diagram](#)
- [Airflow/ Fan Curve](#)
- [Installation Manual](#)
- [Owners Manual](#)



SEIYA: RAS - B13E2KVG-E1

- A++ in both Heating and cooling.
- Power supply to indoor or outdoor unit.
- Compatible with WI-FI when utilizing adapter.
- Sleek and compact suitable for all applications.
- Available in both single and multi split applications.



Retail Price (interactive icons):




UK



ROI



Hi - Res Image 

ENTRY TIER PRODUCT RANGE

CODE		33		
Performance				
Indoor Unit		RAS-	B13E2KVG-E1	
Outdoor Unit		RAS-	13E2AVG-E	
Nominal	Cooling Capacity	kW	3.3	
	Heating Capacity	kW	3.6	
	EER/COP	W/W	3.30/4.14	
UK	Cooling Total/Sensible	kW	3.22/2.49	
	Heating	kW	2.20	
Cooling EN14825	Range Min. - Max.	kW	1.20 - 3.60	
	Power Input	kW	1.00	
	Pdesign	kW	3.3	
	SEER/Energy Efficiency Class			7.00/A++
	Seasonal Energy Consumption	kWh/a		165
Heating EN14825	Range Min. - Max.	kW	0.97 - 4.50	
	Power Input	kW	0.87	
	Pdesign	kW	2.7	
	SCOP/Energy Efficiency Class			4.60/A++
	Seasonal Energy Consumption	kWh/a		822
Indoor Data				
Air Flow	High - Low	l/s	208 - 92	
	High - Low	m3/h	750 - 330	
Sound	Pressure High - Low	dB(A)	42 - 21	
	Power High - Low	dB(A)	54	
Unit	Height x Width x Depth	mm	293 x 798 x 230	
	Weight	kg	9	
Pipe Connection	Flare Connections (gas - liquid)	inch	3/8" - 1/4"	
	Drain Pipe Connection OD/ID	mm	16/14	
Remote controller			WH-TG01NE	

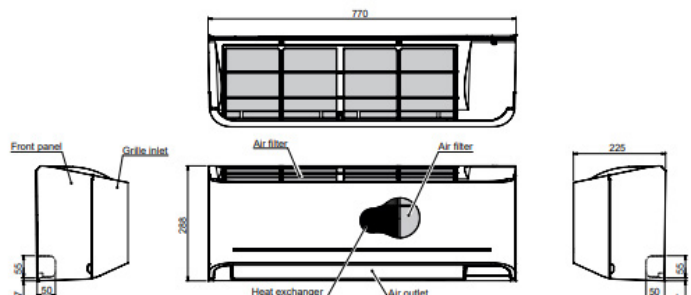
Accessories

RB-RXS33-E	Option Remote Controller (Weekly Timer)
RB-RXS34-E	Option Black remote
RB-N105S-G	Wireless adapter (Without cable)

*All [Accessories / Controls](#)

Related Items:

- [BIM Files](#)
- [Full Specification](#)
- [Dimensional Drawing](#)
- [Wiring Diagram](#)
- [Airflow/ Fan Curve](#)
- [Installation Manual](#)
- [Owners Manual](#)



SEIYA: RAS - B16E2KVG-E

- A++ in both Heating and cooling.
- Power supply to indoor or outdoor unit.
- Compatible with Wi-Fi when utilizing adapter.
- Sleek and compact suitable for all applications.
- Available in both single and multi split applications.



Retail Price (interactive icons):




UK



ROI



Hi - Res Image 

ENTRY TIER PRODUCT RANGE

CODE		42		
Performance				
Indoor Unit		RAS-	B16E2KVG-E	
Outdoor Unit		RAS-	16E2AVG-E	
Nominal	Cooling Capacity	kW	4.2	
	Heating Capacity	kW	5.0	
	EER/COP	W/W	3.31/3.73	
UK	Cooling Total/Sensible	kW	4.49/3.36	
	Heating	kW	3.33	
Cooling EN14825	Range Min. - Max.	kW	1.40 - 4.70	
	Power Input	kW	1.27	
	Pdesign	kW	4.2	
	SEER/Energy Efficiency Class		7.00/A++	
	Seasonal Energy Consumption	kWh/a	210	
Heating EN14825	Range Min. - Max.	kW	1.30 - 6.00	
	Power Input	kW	1.34	
	Pdesign	kW	3.6	
	SCOP/Energy Efficiency Class		4.60/A++	
	Seasonal Energy Consumption	kWh/a	1095	
Indoor Data				
Air Flow	High - Low	l/s	212 - 92	
	High - Low	m3/h	760 - 330	
Sound	Pressure High - Low	dB(A)	43 - 22	
	Power High - Low	dB(A)	56	
Unit	Height x Width x Depth	mm	293 x 798 x 230	
	Weight	kg	9	
Pipe Connection	Flare Connections (gas - liquid)	inch	1/2" - 1/4"	
	Drain Pipe Connection OD/ID	mm	16/14	
Remote controller			WH-TG01NE	

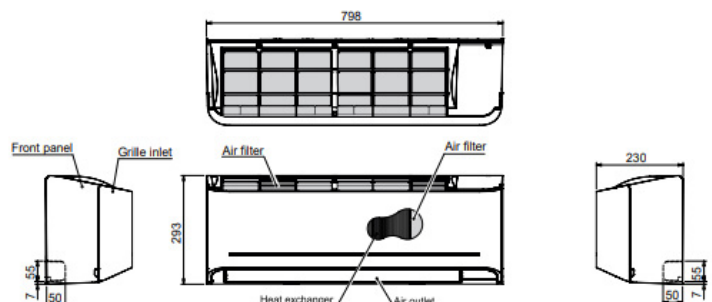
Accessories

RB-RXS33-E	Option Remote Controller (Weekly Timer)
RB-RXS34-E	Option Black remote
RB-N105S-G	Wireless adapter (Without cable)

*All [Accessories / Controls](#)

Related Items:

- [BIM Files](#)
- [Full Specification](#)
- [Dimensional Drawing](#)
- [Wiring Diagram](#)
- [Airflow/ Fan Curve](#)
- [Installation Manual](#)
- [Owners Manual](#)



SEIYA: RAS - B18E2KVG-E

- A++ in both Heating and cooling.
- Power supply to indoor or outdoor unit.
- Compatible with WI-FI when utilizing adapter.
- Sleek and compact suitable for all applications.
- Available in both single and multi split applications.



Retail Price (interactive icons):




UK



ROI



Hi - Res Image 

ENTRY TIER PRODUCT RANGE

CODE		50		
Performance				
Indoor Unit	RAS-	B18E2KVG-E		
Outdoor Unit	RAS-	18E2AVG-E		
Nominal	Cooling Capacity	kW	5.0	
	Heating Capacity	kW	5.4	
	EER/COP	W/W	3.33/3.60	
UK	Cooling Total/Sensible	kW	4.88/3.57	
	Heating	kW	3.34	
Cooling EN14825	Range Min. - Max.	kW	1.45 - 5.50	
	Power Input	kW	1.50	
	Pdesign	kW	5.0	
	SEER/Energy Efficiency Class		7.00/A++	
	Seasonal Energy Consumption	kWh/a	250	
Heating EN14825	Range Min. - Max.	kW	1.35 - 6.00	
	Power Input	kW	1.50	
	Pdesign	kW	3.8	
	SCOP/Energy Efficiency Class		4.40/A+	
	Seasonal Energy Consumption	kWh/a	1209	

Indoor Data

Air Flow	High - Low	l/s	233 - 133
	High - Low	m3/h	840 - 480
Sound	Pressure High - Low	dB(A)	48 - 26
	Power High - Low	dB(A)	60
Unit	Height x Width x Depth	mm	293 x 798 x 230
	Weight	kg	9
Pipe Connection	Flare Connections (gas - liquid)	inch	1/2" - 1/4"
	Drain Pipe Connection OD/ID	mm	16/14
Remote controller	WH-TG01NE		

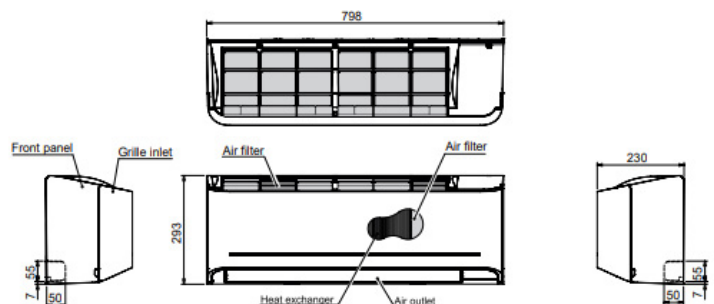
Accessories

RB-RXS33-E	Option Remote Controller (Weekly Timer)
RB-RXS34-E	Option Black remote
RB-N105S-G	Wireless adapter (Without cable)

*All [Accessories / Controls](#)

Related Items:

- [BIM Files](#)
- [Full Specification](#)
- [Dimensional Drawing](#)
- [Wiring Diagram](#)
- [Airflow/ Fan Curve](#)
- [Installation Manual](#)
- [Owners Manual](#)



SEIYA: RAS - B24E2KVG-E

- A++ in both Heating and cooling.
- Power supply to indoor or outdoor unit.
- Compatible with Wi-Fi when utilizing adapter.
- Sleek and compact suitable for all applications.
- Available in both single and multi split applications.



Retail Price (interactive icons):




UK



ROI



Hi - Res Image 

ENTRY TIER PRODUCT RANGE

CODE		65		
Performance				
Indoor Unit	RAS-	B24E2KVG-E		
Outdoor Unit	RAS-	24E2AVG-E		
Nominal	Cooling Capacity	kW	6.5	
	Heating Capacity	kW	7.0	
	EER/COP	W/W	2.89/3.33	
UK	Cooling Total/Sensible	kW	6.35/4.40	
	Heating	kW	4.31	
Cooling EN14825	Range Min. - Max.	kW	1.7 - 7.2	
	Power Input	kW	2.25	
	Pdesign	kW	6.5	
	SEER/Energy Efficiency Class		6.90/A++	
	Seasonal Energy Consumption	kWh/a	330	
Heating EN14825	Range Min. - Max.	kW	1.5 - 8.1	
	Power Input	kW	2.10	
	Pdesign	kW	5.4	
	SCOP/Energy Efficiency Class		4.30/A+	
	Seasonal Energy Consumption	kWh/a	1757	
Indoor Data				
Air Flow	High - Low	l/s	298 - 183	
	High - Low	m3/h	1070 - 660	
Sound	Pressure High - Low	dB(A)	48 - 29	
	Power High - Low	dB(A)	61	
Unit	Height x Width x Depth	mm	320 x 1050 x 250	
	Weight	kg	15	
Pipe Connection	Flare Connections (gas - liquid)	inch	1/2" - 1/4"	
	Drain Pipe Connection OD/ID	mm	16/14	
Remote controller			WH-TG01NE	

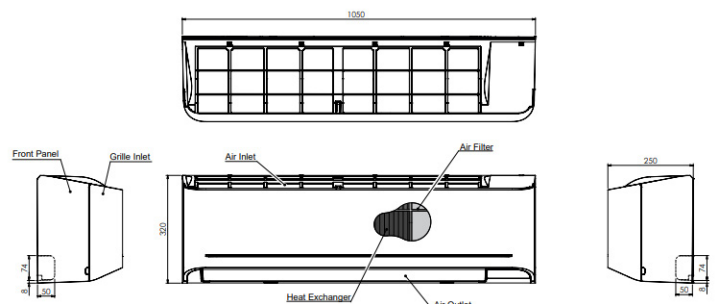
Accessories

RB-RXS33-E	Option Remote Controller (Weekly Timer)
RB-RXS34-E	Option Black remote
RB-N105S-G	Wireless adapter (Without cable)

*All [Accessories / Controls](#)

Related Items:

- [BIM Files](#)
- [Full Specification](#)
- [Dimensional Drawing](#)
- [Wiring Diagram](#)
- [Airflow/ Fan Curve](#)
- [Installation Manual](#)
- [Owners Manual](#)



SEIYA: RAS - 05E2AVG-E - 10E2AVG-E

- On demand defrost.
- Silent CDU noise reduction function.
- Power supply to indoor or outdoor unit.
- Energy Class A++/A++ cooling and heating modes.
- Toshiba Inverter and compressor technology with R32.



Hi - Res Image

Retail Price (interactive icons):



UK



ROI



ENTRY TIER PRODUCT RANGE

CODE			15	20	25
Performance					
Outdoor Unit		RAS-	05E2AVG-E	07E2AVG-E	10E2AVG-E
Operating Range	Cooling	C°	-15 ~ 46	-15 ~ 46	-15 ~ 46
	Heating		-15 ~ 24	-15 ~ 24	-15 ~ 24
Air Flow	High	m3/h - l/s	1690 - 470	1800 - 500	1800 - 500
Sound	Pressure High Cooling/Heating/Silent	dB(A)	47 / 48 / 42	47 / 49 / 42	47 / 49 / 43
	Power High Cooling/Heating/Silent	dB(A)	60 / 61 / 55	60 / 62 / 55	60 / 62 / 56
Unit	Height x Width x Depth	mm	530 x 660 x 240	530 x 660 x 240	530 x 660 x 240
	Weight	kg	21	21	22
Pipe Connection	Flare Connections (gas-liquid)	inch	3/8" - 1/4"	3/8" - 1/4"	3/8" - 1/4"
	Min.-Max. Length	m	2-15	2-15	2-15
	Maximum Height Difference	m	±12	±12	±12
	Drain Port Connection	mm	16	16	16
Refrigerant Charge	Base Charge/Chargeless Length	m	0.34/15	0.34/15	0.49/15
	Additional Charge	g/m	0	0	0
Run Current	Maximum	Amps	5.00	5.40	7.20
Power Cable	Outdoor to Indoor		3 core + earth	3 core + earth	3 core + earth
Power Supply	Suggested Fuse Size	V/ph/Hz-A	220-240/1/50-10	220-240/1/50-10	220-240/1/50-16

Related Items - 05E2AVG-E:

- [Full Specification](#)
- [Dimensional Drawing](#)
- [Wiring Diagram](#)
- [Noise Curve Data](#)
- [Installation Manual](#)



Related Items - 07E2AVG-E

- [Full Specification](#)
- [Dimensional Drawing](#)
- [Wiring Diagram](#)
- [Noise Curve Data](#)
- [Installation Manual](#)

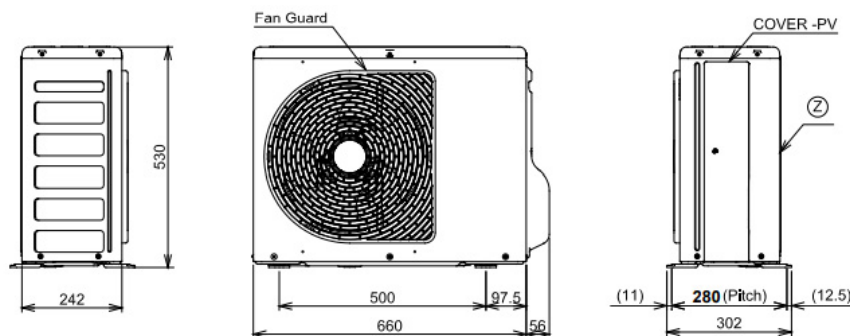


Related Items - 10E2AVG-E

- [Full Specification](#)
- [Dimensional Drawing](#)
- [Wiring Diagram](#)
- [Noise Curve Data](#)
- [Installation Manual](#)




*All [Accessories / Controls](#)



SEIYA: RAS - 13E2AVG-E - 16E2AVG-E

- On demand defrost.
- Silent CDU noise reduction function.
- Power supply to indoor or outdoor unit.
- Energy Class A++/A++ cooling and heating modes.
- Toshiba Inverter and compressor technology with R32.



Hi - Res Image 

Retail Price (interactive icons):



UK



ROI



ENTRY TIER PRODUCT RANGE

CODE		33		42	
Performance					
Outdoor Unit		RAS-	13E2AVG-E	16E2AVG-E	
Operating Range	Cooling	C°	-15 ~ 46	-15 ~ 46	
	Heating		-15 ~ 24	-15 ~ 24	
Air Flow	High	m3/h - l/s	1980 - 550	2160 - 600	
Sound	Pressure High Cooling/Heating/Silent	dB(A)	48 / 49 / 43	50 / 51 / 43	
	Power High Cooling/Heating/Silent	dB(A)	61 / 62 / 56	63 / 64 / 59	
Unit	Height x Width x Depth	mm	530 x 660 x 240	550 x 780 x 290	
	Weight	kg	22	30	
Pipe Connection	Flare Connections (gas-liquid)	inch	3/8" - 1/4"	1/2" - 1/4"	
	Min.-Max. Length	m	2-15	2-20	
	Maximum Height Difference	m	±12	±12	
	Drain Port Connection	mm	16	16	
Refrigerant Charge	Base Charge/Chargeless Length	m	0.54/15	0.68/15	
	Additional Charge	g/m	0	20	
Run Current	Maximum	Amps	7.40	9.00	
Power Cable	Outdoor to Indoor		3 core + earth	3 core + earth	
Power Supply	Suggested Fuse Size	V/ph/Hz-A	220-240/1/50-16	220-240/1/50-16	

Related Items - 13E2AVG-E

- [Full Specification](#)
- [Dimensional Drawing](#)
- [Wiring Diagram](#)
- [Noise Curve Data](#)
- [Installation Manual](#)

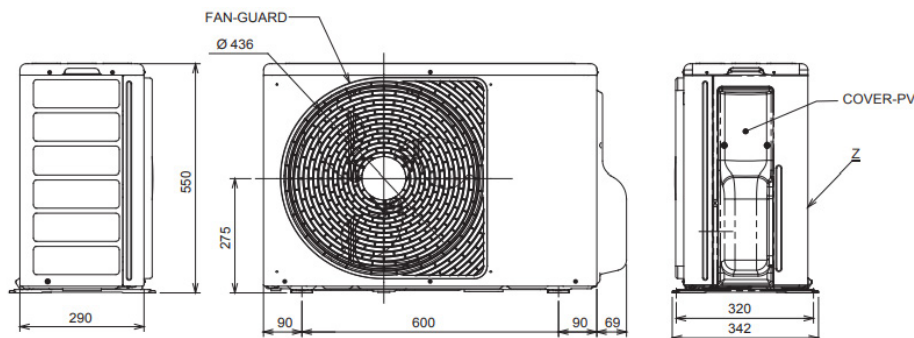


Related Items - 16E2AVG:

- [Full specification](#)
- [Dimensional drawing](#)
- [Wiring diagram](#)
- [Noise Curve Data](#)
- [Installation Manual](#)



*All [Accessories / Controls](#)



SEIYA: RAS - 18E2AVG-E - 24E2AVG-E

- On demand defrost.
- Silent CDU noise reduction function.
- Power supply to indoor or outdoor unit.
- Energy Class A++/A++ cooling and heating modes.
- Toshiba Inverter and compressor technology with R32.



Hi - Res Image

Retail Price (interactive icons):



UK



ROI



ENTRY TIER PRODUCT RANGE

CODE		50		65	
Performance					
Outdoor Unit		RAS-	18E2AVG-E	24E2AVG-E	
Operating Range	Cooling	C°	-15 ~ 46	-15 ~ 46	
	Heating		-15 ~ 24	-15 ~ 24	
Air Flow	High	m3/h - l/s	2160 - 600	2220 - 617	
Sound	Pressure High Cooling/Heating/Silent	dB(A)	50 / 51 / 44	54 / 54 / 49	
	Power High Cooling/Heating/Silent	dB(A)	63 / 64 / 59	67 / 67 / 62	
Unit	Height x Width x Depth	mm	550 x 780 x 290	550 x 780 x 290	
	Weight	kg	34	38	
Pipe Connection	Flare Connections (gas-liquid)	inch	1/2" - 1/4"	1/2" - 1/4"	
	Min.-Max. Length	m	2-20	2-20	
	Maximum Height Difference	m	±12	±12	
	Drain Port Connection	mm	16	16	
Refrigerant Charge	Base Charge/Chargeless Length	m	0.93/15	1.18/15	
	Additional Charge	g/m	20	20	
Run Current	Maximum	Amps	9.25	10.60	
Power Cable	Outdoor to Indoor		3 core + earth	3 core + earth	
Power Supply	Suggested Fuse Size	V/ph/Hz-A	220-240/1/50-16	220-240/1/50-16	

Related Items - 18E2AVG-E:

- [Full Specification](#)
- [Dimensional drawing](#)
- [Wiring Diagram](#)
- [Noise Curve Data](#)
- [Installation Manual](#)

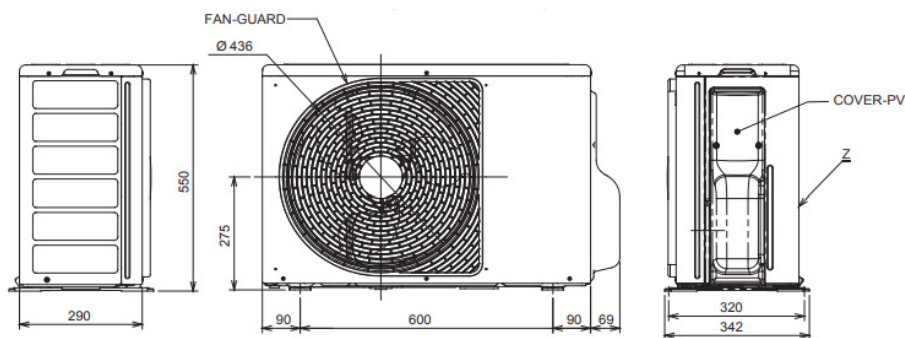


Related Items - 24E2AVG-E:

- [Full Specification](#)
- [Dimensional Drawing](#)
- [Wiring Diagram](#)
- [Noise Curve Data](#)
- [Installation Manual](#)



*All [Accessories / Controls](#)



SHORAI EDGE



SHORAI EDGE: RAS - B07G3KVSGB(B)-E

- A+++ in both heating and cooling.
- Power supply to indoor or outdoor unit.
- Features the Ultra-Pure filter (PM2.5 94%).
- HADA care flow function for high indoor air quality.
- WI-FI embedded with advanced energy monitoring .



Retail Price (interactive icons):

- UK ROI BLACK
 UK ROI WHITE

Hi - Res Image

MID TIER PRODUCT RANGE

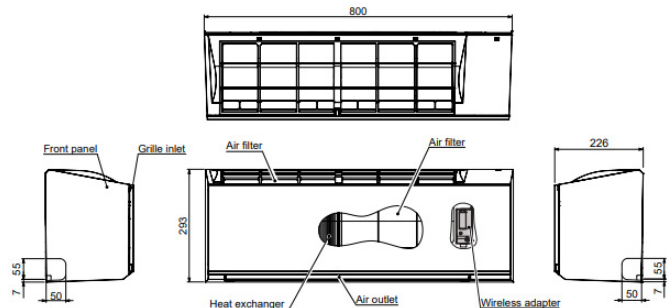
CODE		20	
Performance			
Indoor Unit	Black	RAS-	B07G3KVSGB-E
Indoor Unit	White	RAS-	B07G3KVSGB-E
Outdoor Unit		RAS-	07J2AVSG-E1
Nominal	Cooling Capacity	kW	2.0
	Heating Capacity	kW	2.5
	EER/COP	W/W	5.13/5.00
UK	Cooling Total/Sensible	kW	2.44/2.03
	Heating	kW	2.05
Cooling EN14825	Range Min. - Max.	kW	0.89 - 2.90
	Power Input	kW	0.39
	Pdesign	kW	2.0
	SEER/Energy Efficiency Class		8.50/A+++
	Seasonal Energy Consumption	kWh/a	82
Heating EN14825	Range Min. - Max.	kW	0.90 - 3.60
	Power Input	kW	0.50
	Pdesign	kW	2.3
	SCOP/Energy Efficiency Class		5.10/A+++
	Seasonal Energy Consumption	kWh/a	631

Indoor Data			
Air Flow	High - Low	l/s	183 - 86
	High - Low	m3/h	660 - 310
Sound	Pressure High - Low	dB(A)	40 - 19
	Power High - Low	dB(A)	55 - 34
Unit	Height x Width x Depth	mm	293x800x226
	Weight	mm	10
Pipe Connection	Flare Connections (gas - liquid)	inch	3/8" - 1/4"
	Drain Pipe Connection OD/ID	mm	16/14
Remote controller		White	WH-UA06UE
Remote controller		Black	WH-UA04UE

*All [Accessories / Controls](#)

Related Items:

- [Full Specification](#)
- [Dimensional Drawing](#)
- [Wiring Diagram](#)
- [Airflow/ Fan Curve](#)
- [Installation Manual](#)
- [Owners Manual](#)



SHORAI EDGE: RAS - B10G3KVSG(B)-E

- A+++ in both heating and cooling.
- Power supply to indoor or outdoor unit.
- Features the Ultra-Pure filter (PM2.5 94%).
- HADA care flow function for high indoor air quality.
- WI-FI embedded with advanced energy monitoring .



Retail Price (interactive icons):

UK



ROI



BLACK


UK



ROI



WHITE

Hi - Res Image 

MID TIER PRODUCT RANGE

CODE			25
Performance			
Indoor Unit	Black	RAS-	B10G3KVSGB-E
Indoor Unit	White	RAS-	B10G3KVSG-E
Outdoor Unit		RAS-	10J2AVSG-E1
Nominal	Cooling Capacity	kW	2.5
	Heating Capacity	kW	3.2
	EER/COP	W/W	4.63/4.57
UK	Cooling Total/Sensible	kW	3.42/2.74
	Heating	kW	2.61
Cooling EN14825	Range Min. - Max.	kW	0.89 - 3.20
	Power Input	kW	0.54
	Pdesign	kW	2.5
	SEER/Energy Efficiency Class		8.60/A+++
	Seasonal Energy Consumption	kWh/a	102
Heating EN14825	Range Min. - Max.	kW	0.90 - 4.80
	Power Input	kW	0.70
	Pdesign	kW	2.5
	SCOP/Energy Efficiency Class		5.10/A+++
	Seasonal Energy Consumption	kWh/a	686

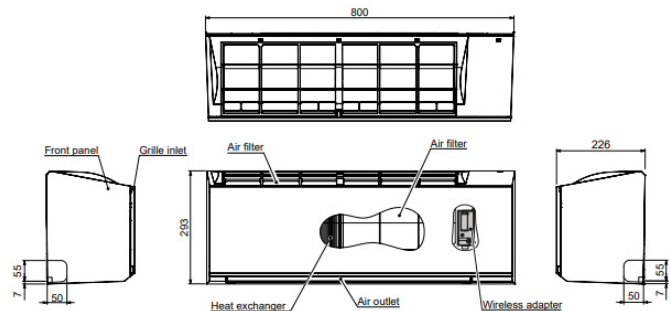
Indoor Data

Air Flow	High - Low	l/s	183 - 86
	High - Low	m3/h	660 - 310
Sound	Pressure High - Low	dB(A)	40 - 19
	Power High - Low	dB(A)	55 - 34
Unit	Height x Width x Depth	mm	293x800x226
	Weight	mm	10
Pipe Connection	Flare Connections (gas - liquid)	inch	3/8" - 1/4"
	Drain Pipe Connection OD/ID	mm	16/14
Remote controller		White	WH-UA06UE
Remote controller		Black	WH-UA04UE

*All [Accessories / Controls](#)

Related Items:

- [Full Specification](#)
- [Dimensional Drawing](#)
- [Wiring Diagram](#)
- [Airflow/ Fan Curve](#)
- [Installation Manual](#)
- [Owners Manual](#)



SHORAI EDGE: RAS - B13G3KVSGB(B)-E

- A+++ in both heating and cooling.
- Power supply to indoor or outdoor unit.
- Features the Ultra-Pure filter (PM2.5 94%).
- HADA care flow function for high indoor air quality.
- WI-FI embedded with advanced energy monitoring .



Retail Price (interactive icons):

- UK ROI BLACK
 UK ROI WHITE

Hi - Res Image



MID TIER PRODUCT RANGE

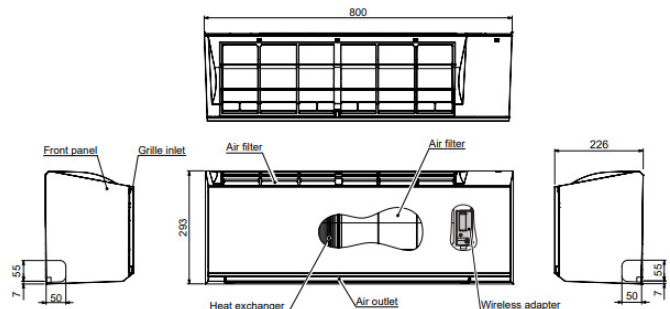
CODE			35
Performance			
Indoor Unit	Black	RAS-	B13G3KVSGB-E
Indoor Unit	White	RAS-	B13G3KVSGB-E
Outdoor Unit		RAS-	13J2AVSG-E1
Nominal	Cooling Capacity	kW	3.5
	Heating Capacity	kW	4.2
	EER/COP	W/W	3.89/3.89
UK	Cooling Total/Sensible	kW	4.49/3.56
	Heating	kW	3.59
Cooling EN14825	Range Min. - Max.	kW	1.00 - 4.10
	Power Input	kW	0.90
	Pdesign	kW	3.5
	SEER/Energy Efficiency Class		8.60/A+++
	Seasonal Energy Consumption	kWh/a	142
Heating EN14825	Range Min. - Max.	kW	1.00 - 5.30
	Power Input	kW	1.08
	Pdesign	kW	3.2
	SCOP/Energy Efficiency Class		5.10/A+++
	Seasonal Energy Consumption	kWh/a	878

Indoor Data			
Air Flow	High - Low	l/s	203 - 95
	High - Low	m3/h	730 - 340
Sound	Pressure High - Low	dB(A)	43 - 19
	Power High - Low	dB(A)	58 - 34
Unit	Height x Width x Depth	mm	293x800x226
	Weight	mm	10
Pipe Connection	Flare Connections (gas - liquid)	inch	3/8" - 1/4"
	Drain Pipe Connection OD/ID	mm	16/14
Remote controller		White	WH-UA06UE
Remote controller		Black	WH-UA04UE

*All [Accessories / Controls](#)

Related Items:

- [Full Specification](#)
- [Dimensional Drawing](#)
- [Wiring Diagram](#)
- [Airflow/ Fan Curve](#)
- [Installation Manual](#)
- [Owners Manual](#)



SHORAI EDGE: RAS - B16G3KVSGB(B)-E

- A+++ in both heating and cooling.
- Power supply to indoor or outdoor unit.
- Features the Ultra-Pure filter (PM2.5 94%).
- HADA care flow function for high indoor air quality.
- WI-FI embedded with advanced energy monitoring .



Retail Price (interactive icons):

- UK ROI BLACK
- UK ROI WHITE

Hi - Res Image



MID TIER PRODUCT RANGE

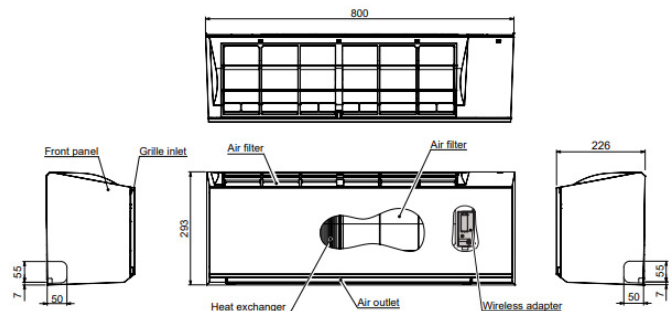
CODE		46	
Performance			
Indoor Unit	Black	RAS-	B16G3KVSGB-E
Indoor Unit	White	RAS-	B16G3KVSGB-E
Outdoor Unit		RAS-	16J2AVSG-E1
Nominal	Cooling Capacity	kW	4.6
	Heating Capacity	kW	5.5
	EER/COP	W/W	3.41/3.62
UK	Cooling Total/Sensible	kW	4.88/3.57
	Heating	kW	3.83
Cooling EN14825	Range Min. - Max.	kW	1.20 - 5.30
	Power Input	kW	1.35
	Pdesign	kW	4.6
	SEER/Energy Efficiency Class		7.80/A++
	Seasonal Energy Consumption	kWh/a	206
Heating EN14825	Range Min. - Max.	kW	1.10 - 6.50
	Power Input	kW	1.52
	Pdesign	kW	4.0
	SCOP/Energy Efficiency Class		4.60/A++
	Seasonal Energy Consumption	kWh/a	1217

Indoor Data			
Air Flow	High - Low	l/s	211 - 100
	High - Low	m3/h	760 - 360
Sound	Pressure High - Low	dB(A)	44 - 22
	Power High - Low	dB(A)	59 - 37
Unit	Height x Width x Depth	mm	293x800x226
	Weight	mm	10
Pipe Connection	Flare Connections (gas - liquid)	inch	1/2" - 1/4"
	Drain Pipe Connection OD/ID	mm	16/14
Remote controller		White	WH-UA06UE
Remote controller		Black	WH-UA04UE

*All [Accessories / Controls](#)

Related Items:

- [Full Specification](#)
- [Dimensional Drawing](#)
- [Wiring Diagram](#)
- [Airflow/ Fan Curve](#)
- [Installation Manual](#)
- [Owners Manual](#)



SHORAI EDGE: RAS - B18G3KVSG(B)-E

- A+++ in both heating and cooling.
- Power supply to indoor or outdoor unit.
- Features the Ultra-Pure filter (PM2.5 94%).
- HADA care flow function for high indoor air quality.
- WI-FI embedded with advanced energy monitoring .



Retail Price (interactive icons):

UK £ ROI € BLACK
UK £ ROI € WHITE



Hi - Res Image

MID TIER PRODUCT RANGE

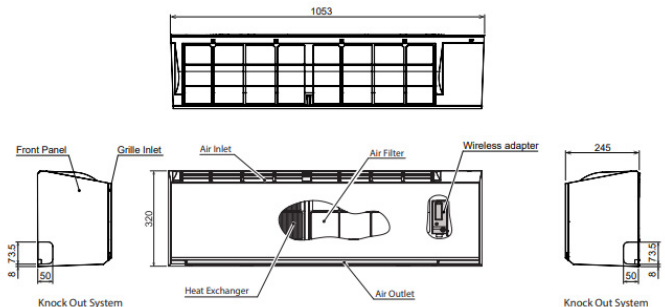
CODE			50
Performance			
Indoor Unit	Black	RAS-	B18G3KVSGB-E
Indoor Unit	White	RAS-	B18G3KVSG-E
Outdoor Unit		RAS-	18J2AVSG-E1
Nominal	Cooling Capacity	kW	5.0
	Heating Capacity	kW	6.0
	EER/COP	W/W	3.52/3.77
UK	Cooling Total/Sensible	kW	5.96/4.24
	Heating	kW	3.98
Cooling EN14825	Range Min. - Max.	kW	1.20 - 6.00
	Power Input	kW	1.42
	Pdesign	kW	5.0
	SEER/Energy Efficiency Class		7.30/A++
	Seasonal Energy Consumption	kWh/a	242
Heating EN14825	Range Min. - Max.	kW	1.10 - 6.50
	Power Input	kW	1.59
	Pdesign	kW	4.3
	SCOP/Energy Efficiency Class		4.60/A++
	Seasonal Energy Consumption	kWh/a	1309

Indoor Data			
Air Flow	High - Low	l/s	275 - 158
	High - Low	m3/h	990 - 570
Sound	Pressure High - Low	dB(A)	44 - 26
	Power High - Low	dB(A)	59 - 41
Unit	Height x Width x Depth	mm	320x1053x245
	Weight	mm	14
Pipe Connection	Flare Connections (gas - liquid)	inch	1/2" - 1/4"
	Drain Pipe Connection OD/ID	mm	16/14
Remote controller		White	WH-UA06UE
Remote controller		Black	WH-UA04UE

*All [Accessories / Controls](#)

Related Items:

- [Full Specification](#)
- [Dimensional Drawing](#)
- [Wiring Diagram](#)
- [Airflow/ Fan Curve](#)
- [Installation Manual](#)
- [Owners Manual](#)



SHORAI EDGE: RAS - B22G3KVSG(B)-E

- A+++ in both heating and cooling.
- Power supply to indoor or outdoor unit.
- Features the Ultra-Pure filter (PM2.5 94%).
- HADA care flow function for high indoor air quality.
- WI-FI embedded with advanced energy monitoring .



Retail Price (interactive icons):

- UK ROI BLACK
 UK ROI WHITE



Hi - Res Image

MID TIER PRODUCT RANGE

CODE			61
Performance			
Indoor Unit	Black	RAS-	B22G3KVSGB-E
Indoor Unit	White	RAS-	B22G3KVSG-E
Outdoor Unit		RAS-	22J2AVSG-E1
Nominal	Cooling Capacity	kW	6.1
	Heating Capacity	kW	7.0
	EER/COP	W/W	3.07/3.72
UK	Cooling Total/Sensible	kW	6.84/4.71
	Heating	kW	5.27
Cooling EN14825	Range Min. - Max.	kW	1.39 - 6.70
	Power Input	kW	1.99
	Pdesign	kW	6.1
	SEER/Energy Efficiency Class		7.30/A++
	Seasonal Energy Consumption	kWh/a	292
Heating EN14825	Range Min. - Max.	kW	1.15 - 7.50
	Power Input	kW	1.88
	Pdesign	kW	4.7
	SCOP/Energy Efficiency Class		4.60/A++
	Seasonal Energy Consumption	kWh/a	1430

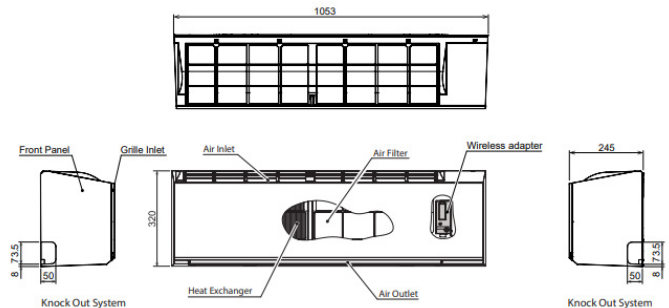
Indoor Data

Air Flow	High - Low	l/s	300 - 191
	High - Low	m3/h	1080 - 690
Sound	Pressure High - Low	dB(A)	46 - 27
	Power High - Low	dB(A)	61 - 42
Unit	Height x Width x Depth	mm	320x1053x245
	Weight	mm	14
Pipe Connection	Flare Connections (gas - liquid)	inch	1/2" - 1/4"
	Drain Pipe Connection OD/ID	mm	16/14
Remote controller		White	WH-UA06UE
Remote controller		Black	WH-UA04UE

*All [Accessories / Controls](#)

Related Items:

- [Full Specification](#)
- [Dimensional Drawing](#)
- [Wiring Diagram](#)
- [Airflow/ Fan Curve](#)
- [Installation Manual](#)
- [Owners Manual](#)




SHORAI EDGE: RAS - B24G3KMSG(B)-E

- A+++ in both heating and cooling.
- Power supply to indoor or outdoor unit.
- Features the Ultra-Pure filter (PM2.5 94%).
- HADA care flow function for high indoor air quality.
- WI-FI embedded with advanced energy monitoring .



Retail Price (interactive icons):

- UK £ ROI € BLACK
UK £ ROI € WHITE

Hi - Res Image 



MID TIER PRODUCT RANGE

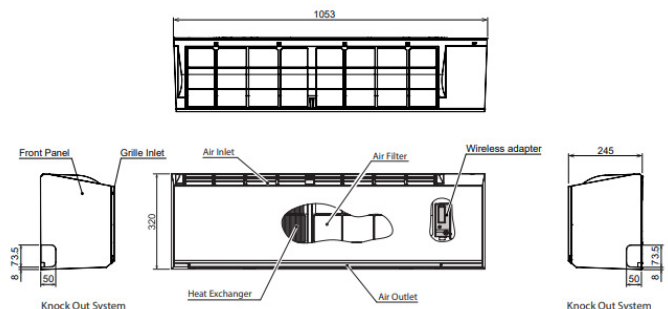
CODE		70	
Performance			
Indoor Unit	Black	RAS-	B24G3KMSG-B-E
Indoor Unit	White	RAS-	B24G3KMSG-E
Outdoor Unit		RAS-	24J2AVSG-E1
Nominal	Cooling Capacity	kW	7.0
	Heating Capacity	kW	8.0
	EER/COP	W/W	3.11/3.40
UK	Cooling Total/Sensible	kW	6.84/4.71
	Heating	kW	5.27
Cooling EN14825	Range Min. - Max.	kW	1.70 - 7.70
	Power Input	kW	2.25
	Pdesign	kW	7.0
	SEER/Energy Efficiency Class		6.30/A++
	Seasonal Energy Consumption	kWh/a	389
Heating EN14825	Range Min. - Max.	kW	1.70 - 8.80
	Power Input	kW	2.35
	Pdesign	kW	6.3
	SCOP/Energy Efficiency Class		4.10/A+
	Seasonal Energy Consumption	kWh/a	2149

Indoor Data			
Air Flow	High - Low	l/s	316 - 200
	High - Low	m3/h	1140 - 720
Sound	Pressure High - Low	dB(A)	48 - 28
	Power High - Low	dB(A)	63 - 43
Unit	Height x Width x Depth	mm	320x1053x245
	Weight	mm	14
Pipe Connection	Flare Connections (gas - liquid)	inch	1/2" - 1/4"
	Drain Pipe Connection OD/ID	mm	16/14
Remote controller		White	WH-UA06UE
Remote controller		Black	WH-UA04UE

*All [Accessories / Controls](#)

Related Items:

- [Full Specification](#)
- [Dimensional Drawing](#)
- [Wiring Diagram](#)
- [Airflow/ Fan Curve](#)
- [Installation Manual](#)
- [Owners Manual](#)



SHORAI EDGE: RAS - 10J2AVSG-E1 - 13J2AVSG-E1

- Power supply to indoor or outdoor unit.
- Silent CDU noise reduction function (6dBA).
- WI-FI compatible with advanced energy monitoring.
- Energy Class A+++/A+++ cooling and heating modes.
- Toshiba Inverter and compressor technology with R32.



Hi - Res Image

Retail Price (interactive icons):



UK



ROI



MID TIER PRODUCT RANGE

CODE				25	35
Performance					
Outdoor Unit		RAS-		10J2AVSG-E1	13J2AVSG-E1
Operating Range	Cooling	C°		-15~46	-15~46
	Heating			-15~24	-15~24
Air Flow	High	m3/h - l/s		1890 - 524	1950 - 540
Sound	Pressure High Cooling/Heating/Silent	dB(A)		44 - 46	46 - 48
	Power High Cooling/Heating/Silent	dB(A)		57 - 59	59 - 61
Unit	Height x Width x Depth	mm		550x780x290	550x780x290
	Weight	kg		26	30
Pipe Connection	Flare Connections (gas-liquid)	inch		3/8" - 1/4"	3/8" - 1/4"
	Min.-Max. Length	m		2-20	2-20
	Maximum Height Difference	m		±12	±12
	Drain Port Connection	mm		16	16
Refrigerant Charge	Base Charge/Chargeless Length	m		0.55/15	0.8/15
	Additional Charge	g/m		20	20
Run Current	Maximum	Amps		5.35	7.55
Power Cable	Outdoor to Indoor			3 core + earth	3 core + earth
Power Supply	Suggested Fuse Size	V/ph/Hz-A		220-240/1/50-10	220-240/1/50-16

Related Items - 10J2AVSG-E1:

- [Full Specification](#)
- [Dimensional Drawing](#)
- [Wiring Diagram](#)
- [Noise Curve Data](#)
- [Installation Manual](#)

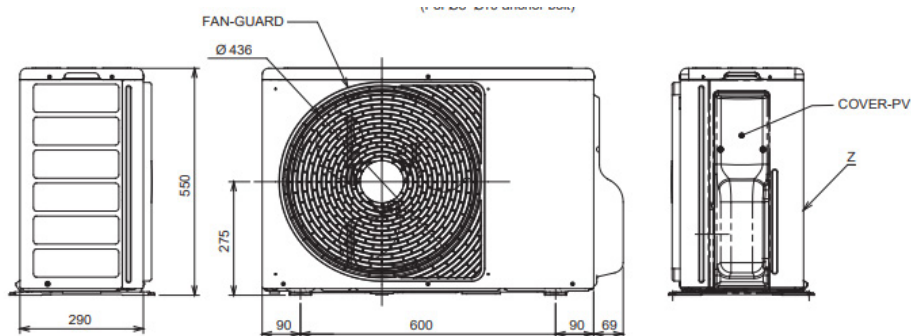


Related Items - 13J2AVSG-E1:

- [Full Specification](#)
- [Dimensional Drawing](#)
- [Wiring Diagram](#)
- [Noise Curve Data](#)
- [Installation Manual](#)



*All [Accessories / Controls](#)



SHORAI EDGE: RAS - 16J2AVSG-E1 - 18J2AVSG-E1

- Power supply to indoor or outdoor unit.
- Silent CDU noise reduction function (6dBA).
- WI-FI compatible with advanced energy monitoring.
- Energy Class A+++/A+++ cooling and heating modes.
- Toshiba Inverter and compressor technology with R32.



Hi - Res Image

Retail Price (interactive icons):



UK



ROI



MID TIER PRODUCT RANGE

CODE		46		50	
Performance					
Outdoor Unit		RAS-	16J2AVSG-E1	18J2AVSG-E1	
Operating Range	Cooling	C°	-15~46	-15~46	
	Heating		-15~24	-15~24	
Air Flow	High	m3/h - l/s	2040 - 566	2076 - 576	
Sound	Pressure High Cooling/Heating/Silent	dB(A)	48 - 50	48 - 50	
	Power High Cooling/Heating/Silent	dB(A)	61 - 63	63 - 63	
Unit	Height x Width x Depth	mm	550x780x290	550x780x290	
	Weight	kg	33	34	
Pipe Connection	Flare Connections (gas-liquid)	inch	1/2" - 1/4"	1/2" - 1/4"	
	Min.-Max. Length	m	2-20	2-20	
	Maximum Height Difference	m	±12	±12	
	Drain Port Connection	mm	16	16	
Refrigerant Charge	Base Charge/Chargeless Length	m	0.8/15	1.1/15	
	Additional Charge	g/m	20	20	
Run Current	Maximum	Amps	8.35	9.11	
Power Cable	Outdoor to Indoor		3 core + earth	3 core + earth	
Power Supply	Suggested Fuse Size	V/ph/Hz-A	220-240/1/50-16	220-240/1/50-16	

Related Items - 16J2AVSG-E1:

- [Full Specification](#)
- [Dimensional Drawing](#)
- [Wiring Diagram](#)
- [Noise Curve Data](#)
- [Installation Manual](#)

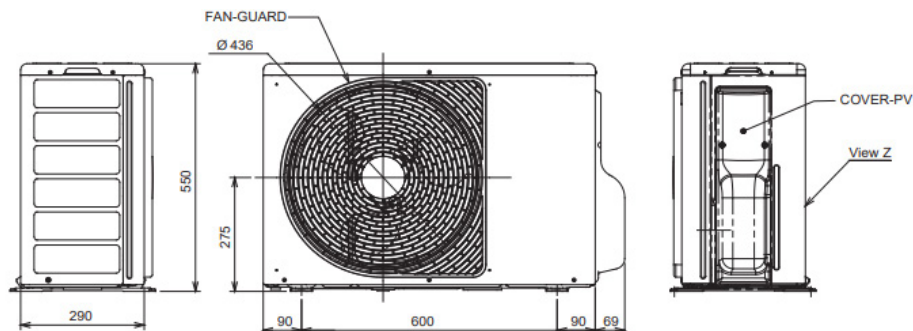


Related Items - 18J2AVSG-E1:

- [Full Specification](#)
- [Dimensional Drawing](#)
- [Wiring Diagram](#)
- [Noise Curve Data](#)
- [Installation Manual](#)



*All [Accessories / Controls](#)



SHORAI EDGE: RAS - 22J2AVSG-E1 - 24J2AVSG-E1

- Power supply to indoor or outdoor unit.
- Silent CDU noise reduction function (6dBA).
- WI-FI compatible with advanced energy monitoring.
- Energy Class A+++/A+++ cooling and heating modes.
- Toshiba Inverter and compressor technology with R32.



Hi - Res Image

Retail Price (interactive icons):



UK



ROI



MID TIER PRODUCT RANGE

CODE		61		70	
Performance					
Outdoor Unit		RAS-	22J2AVSG-E1	24J2AVSG-E1	
Operating Range	Cooling	C°	-15-46	-15-46	
	Heating		-15-24	-15-24	
Air Flow	High	m3/h - l/s	2184 - 607	2916 - 810	
Sound	Pressure High Cooling/Heating/Silent	dB(A)	49 - 51	50 - 53	
	Power High Cooling/Heating/Silent	dB(A)	62 - 64	63 - 66	
Unit	Height x Width x Depth	mm	550x780x290	630x800x300	
	Weight	kg	34	42	
Pipe Connection	Flare Connections (gas-liquid)	inch	1/2" - 1/4"	1/2" - 1/4"	
	Min.-Max. Length	m	2-20	2-25	
	Maximum Height Difference	m	±12	±15	
	Drain Port Connection	mm	16	16	
Refrigerant Charge	Base Charge/Chargeless Length	m	1.1/15	1.14/15	
	Additional Charge	g/m	20	20	
Run Current	Maximum	Amps	11.16	11.16	
Power Cable	Outdoor to Indoor		3 core + earth	3 core + earth	
Power Supply	Suggested Fuse Size	V/ph/Hz-A	220-240/1/50-16	220-240/1/50-16	

Related Items - 22J2AVSG-E1:

- [Full Specification](#)
- [Dimensional Drawing](#)
- [Wiring Diagram](#)
- [Noise Curve Data](#)
- [Installation Manual](#)

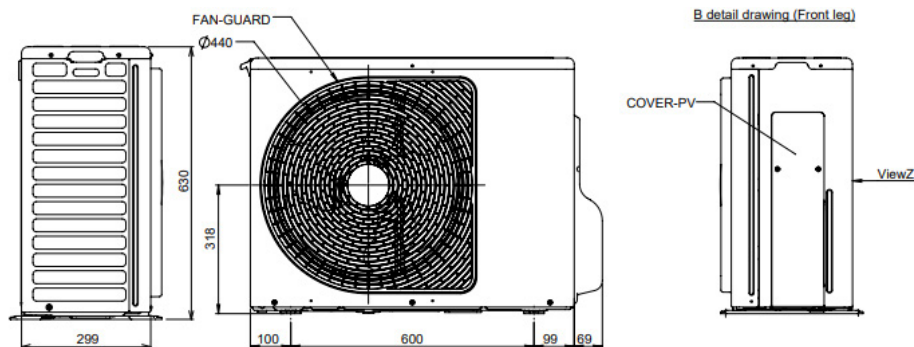


Related Items - 24J2AVSG-E1:

- [Full Specification](#)
- [Dimensional Drawing](#)
- [Wiring Diagram](#)
- [Noise Curve Data](#)
- [Installation Manual](#)



*All [Accessories / Controls](#)



HAORI



HAORI: RAS - B10N4KVRG-E1

- Ultra quiet systems less than 19dB(A).
- Power supply to indoor or outdoor unit.
- Factory-integrated WI-FI with Energy monitoring.
- Fabrics with infinite possibilities , let your style be your guide.
- Toshiba Plasma Ionizer catches and neutralizes the contaminated particles.



Retail Price (interactive icons):



UK



ROI



Hi - Res Image

HIGH TIER PRODUCT RANGE

CODE		25		
Performance				
Indoor Unit	RAS-	B10N4KVRG-E1		
Outdoor Unit	RAS-	10J2AVSG-E1		
Nominal	Cooling Capacity	kW	2.5	
	Heating Capacity	kW	3.2	
	EER/COP	W/W	4.63/4.32	
UK	Cooling Total/Sensible	kW	2.44/1.93	
	Heating	kW	1.86	
Cooling EN14825	Range Min. - Max.	kW	0.89 - 3.20	
	Power Input	kW	0.54	
	Pdesign	kW	2.5	
	SEER/Energy Efficiency Class		8.50/A+++	
	Seasonal Energy Consumption	kWh/a	102	
Heating EN14825	Range Min. - Max.	kW	0.90 - 4.70	
	Power Input	kW	0.74	
	Pdesign	kW	2.5	
	SCOP/Energy Efficiency Class		5.10/A+++	
	Seasonal Energy Consumption	kWh/a	684	

Indoor Data

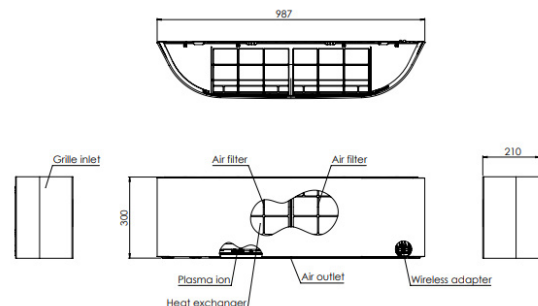
Air Flow	High - Low	l/s	169 - 83
	High - Low	m3/h	610 - 300
Sound	Pressure High - Low	dB(A)	41 - 19
	Power High - Low	dB(A)	55 - 34
Unit	Height x Width x Depth	mm	300x987x210
	Weight	kg	11
Pipe Connection	Flare Connections (gas - liquid)	inch	3/8" - 1/4"
	Drain Pipe Connection OD/ID	mm	16/14
Remote controller	WH-UA01UE		

Accessories			
RB-I4101-E	Fabric Cover Kit (supplied loose)	Fabric Dark Gray	
RB-I4102-E	Fabric Cover Kit (supplied loose)	Fabric Light Gray	
RB-I4103-E	Fabric Cover Kit (supplied loose)	Fabric Bluish Gray	
RB-I4104-E	Fabric Cover Kit (supplied loose)	Fabric Gray Beige	
RB-I4105-E	Fabric Cover Kit (supplied loose)	Fabric Dark Brown	
RB-I4106-E	Fabric Cover Kit (supplied loose)	Fabric Emerald Blue	

*All [Accessories / Controls](#)

Related Items:

- [BIM Files](#)
- [CAD Files](#)
- [Full Specification](#)
- [Airflow/ Fan Curve](#)
- [Dimensional Drawing](#)
- [Wiring Diagram](#)
- [Installation Manual](#)
- [Owners Manual](#)




HAORI: RAS - B13N4KVRG-E

- Ultra quiet systems less than 19dB(A).
- Power supply to indoor or outdoor unit.
- Factory-integrated WI-FI with Energy monitoring.
- Fabrics with infinite possibilities , let your style be your guide.
- Toshiba Plasma Ionizer catches and neutralizes the contaminated particles.



Retail Price (interactive icons):

Hi - Res Image 



UK



ROI



HIGH TIER PRODUCT RANGE

CODE		35	
Performance			
Indoor Unit	RAS-		B13N4KVRG-E
Outdoor Unit	RAS-		13J2AVSG-E1
Nominal	Cooling Capacity	kW	3.5
	Heating Capacity	kW	4.2
	EER/COP	W/W	4.38/3.89
UK	Cooling Total/Sensible	kW	3.42/2.64
	Heating	kW	2.54
Cooling EN14825	Range Min. - Max.	kW	1.00 - 4.10
	Power Input	kW	0.80
	Pdesign	kW	3.5
	SEER/Energy Efficiency Class		8.60/A+++
	Seasonal Energy Consumption	kWh/a	142
Heating EN14825	Range Min. - Max.	kW	1.00 - 5.30
	Power Input	kW	1.08
	Pdesign	kW	3.2
	SCOP/Energy Efficiency Class		5.10/A+++
	Seasonal Energy Consumption	kWh/a	876

Indoor Data

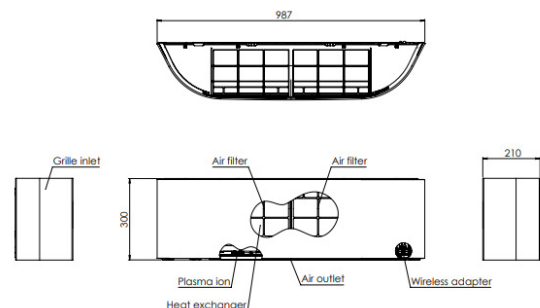
Air Flow	High - Low	l/s	189 - 89
	High - Low	m3/h	680 - 320
Sound	Pressure High - Low	dB(A)	43 - 19
	Power High - Low	dB(A)	57 - 34
Unit	Height x Width x Depth	mm	300x987x210
	Weight	kg	11
Pipe Connection	Flare Connections (gas - liquid)	inch	3/8" - 1/4"
	Drain Pipe Connection OD/ID	mm	16/14
Remote controller			WH-UA01UE

Accessories			
RB-I4101-E	Fabric Cover Kit (supplied loose)	Fabric Dark Gray	
RB-I4102-E	Fabric Cover Kit (supplied loose)	Fabric Light Gray	
RB-I4103-E	Fabric Cover Kit (supplied loose)	Fabric Bluish Gray	
RB-I4104-E	Fabric Cover Kit (supplied loose)	Fabric Gray Beige	
RB-I4105-E	Fabric Cover Kit (supplied loose)	Fabric Dark Brown	
RB-I4106-E	Fabric Cover Kit (supplied loose)	Fabric Emerald Blue	

*All [Accessories / Controls](#)

Related Items:

- [BIM Files](#)
- [CAD Files](#)
- [Full Specification](#)
- [Airflow/ Fan Curve](#)
- [Dimensional Drawing](#)
- [Wiring Diagram](#)
- [Installation Manual](#)
- [Owners Manual](#)



HAORI: RAS - B16N4KVRG-E

- Ultra quiet systems less than 19dB(A).
- Power supply to indoor or outdoor unit.
- Factory-integrated WI-FI with Energy monitoring.
- Fabrics with infinite possibilities , let your style be your guide.
- Toshiba Plasma Ionizer catches and neutralizes the contaminated particles.



Retail Price (interactive icons):




UK



ROI



Hi - Res Image 

HIGH TIER PRODUCT RANGE

CODE		45	
Performance			
Indoor Unit	RAS-		B16N4KVRG-E
Outdoor Unit	RAS-		16J2AVSG-E1
Nominal	Cooling Capacity	kW	4.6
	Heating Capacity	kW	5.5
	EER/COP	W/W	3.41/3.62
UK	Cooling Total/Sensible	kW	4.49/3.42
	Heating	kW	3.37
Cooling EN14825	Range Min. - Max.	kW	1.20 - 5.30
	Power Input	kW	1.35
	Pdesign	kW	4.6
	SEER/Energy Efficiency Class		7.80/A++
	Seasonal Energy Consumption	kWh/a	206
Heating EN14825	Range Min. - Max.	kW	1.10 - 6.30
	Power Input	kW	1.52
	Pdesign	kW	4.0
	SCOP/Energy Efficiency Class		4.60/A++
	Seasonal Energy Consumption	kWh/a	1214

Indoor Data

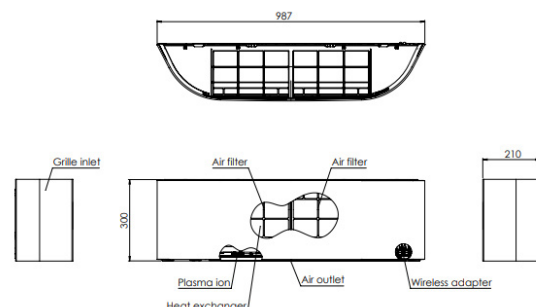
Air Flow	High - Low	l/s	262 - 93
	High - Low	m3/h	330 - 300
Sound	Pressure High - Low	dB(A)	45 - 22
	Power High - Low	dB(A)	59 - 34
Unit	Height x Width x Depth	mm	300x987x210
	Weight	kg	12
Pipe Connection	Flare Connections (gas - liquid)	inch	3/8" - 1/4"
	Drain Pipe Connection OD/ID	mm	16/14
Remote controller			WH-UA01UE

Accessories			
RB-I4101-E	Fabric Cover Kit (supplied loose)	Fabric Dark Gray	
RB-I4102-E	Fabric Cover Kit (supplied loose)	Fabric Light Gray	
RB-I4103-E	Fabric Cover Kit (supplied loose)	Fabric Bluish Gray	
RB-I4104-E	Fabric Cover Kit (supplied loose)	Fabric Gray Beige	
RB-I4105-E	Fabric Cover Kit (supplied loose)	Fabric Dark Brown	
RB-I4106-E	Fabric Cover Kit (supplied loose)	Fabric Emerald Blue	

*All [Accessories / Controls](#)

Related Items:

- [BIM Files](#)
- [CAD Files](#)
- [Full Specification](#)
- [Airflow/ Fan Curve](#)
- [Dimensional Drawing](#)
- [Wiring Diagram](#)
- [Installation Manual](#)
- [Owners Manual](#)



HAORI: RAS - 10J2AVSG-E1 - 16J2AVSG-E1

- Power supply to indoor or outdoor unit.
- Outdoor unit silent operation down to 39 dB(A).
- WI-FI compatible with advanced energy monitoring.
- Energy Class A+++/A+++ cooling and heating modes.
- Toshiba Inverter and compressor technology with R32.



Hi - Res Image

Retail Price (interactive icons):



UK



ROI



HIGH TIER PRODUCT RANGE

CODE			25	35	46
Performance					
Outdoor Unit		RAS-	10J2AVSG-E1	13J2AVSG-E1	16J2AVSG-E1
Operating Range	Cooling	C°	-15 ~ 46	-15 ~ 46	-15 ~ 46
	Heating		-15 ~ 24	-15 ~ 24	-15 ~ 24
Air Flow	High	m3/h - l/s	1890 - 524	1950 - 540	2040 - 566
Sound	Pressure High Cooling/Heating/Silent	dB(A)	44 - 46	46 - 48	48 - 50
	Power High Cooling/Heating/Silent	dB(A)	59 - 59	59 - 61	61 - 63
Unit	Height x Width x Depth	mm	550x780x290	550x780x290	550x780x290
	Weight	kg	26	30	33
Pipe Connection	Flare Connections (gas-liquid)	inch	3/8" - 1/4"	3/8" - 1/4"	1/2" - 1/4"
	Min.-Max. Length	m	2-20	2-20	2-20
	Maximum Height Difference	m	±12	±12	±12
	Drain Port Connection	mm	16	16	16
Refrigerant Charge	Base Charge/Chargeless Length	m	0.55/15	0.8/15	0.8/15
	Additional Charge	g/m	20	20	20
Run Current	Maximum	Amps	3.25	4.80	6.75
Power Cable	Outdoor to Indoor		3 core + earth	3 core + earth	3 core + earth
Power Supply	Suggested Fuse Size	V/ph/Hz-A	220-240/1/50-10	220-240/1/50-10	220-240/1/50-16

Related Items - 10J2AVSG-E1:

- [Full Specification](#)
- [Dimensional Drawing](#)
- [Wiring Diagram](#)
- [Noise Curve Data](#)
- [Installation Manual](#)



Related Items - 13J2AVSG-E1:

- [Full Specification](#)
- [Dimensional Drawing](#)
- [Wiring Diagram](#)
- [Noise Curve Data](#)
- [Installation Manual](#)

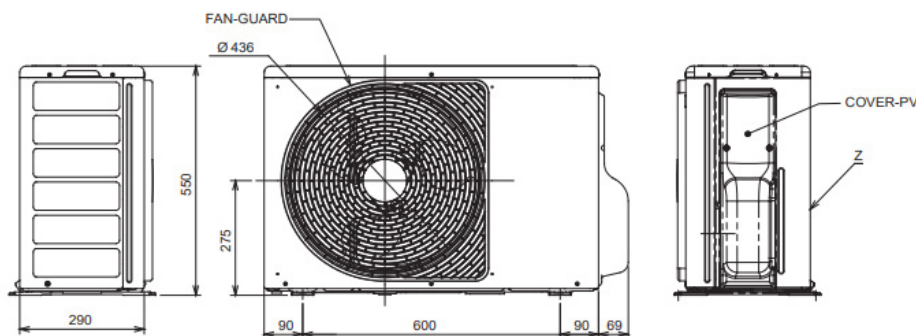


Related Items - 16J2AVSG-E1:

- [Full Specification](#)
- [Dimensional Drawing](#)
- [Wiring Diagram](#)
- [Noise Curve Data](#)
- [Installation Manual](#)



*All [Accessories / Controls](#)




DAISEIKAI 9



DAISEIKAI 9: RAS - 10PKVPG-E

- Power supply to indoor or outdoor unit.
- 3D Airflow with vertical & horizontal louvres.
- Less than 20dB(A) in silent mode operation.
- Toshiba's leading indoor air quality solution with double filtration system.
- Market Benchmark for High efficiency solutions with A+++ in Heating & Cooling.



Hi - Res Image 

Retail Price (interactive icons):



UK



ROI



HIGH TIER PRODUCT RANGE

CODE		25	
Performance			
Indoor Unit	RAS-		10PKVPG-E
Outdoor Unit	RAS-		10PAVPG-E
Nominal	Cooling Capacity	kW	2.5
	Heating Capacity	kW	3.2
	EER/COP	W/W	5.56/5.33
UK	Cooling Total/Sensible	kW	2.44/2.03
	Heating	kW	1.90
Cooling EN14825	Range Min. - Max.	kW	0.80 - 3.50
	Power Input	kW	0.45
	Pdesign	kW	2.5
	SEER/Energy Efficiency Class		10.60/A+++
	Seasonal Energy Consumption	kWh/a	83
Heating EN14825	Range Min. - Max.	kW	0.70 - 5.80
	Power Input	kW	0.60
	Pdesign	kW	3.0
	SCOP/Energy Efficiency Class		5.20/A+++
	Seasonal Energy Consumption	kWh/a	807

Indoor Data

Air Flow	High - Low	l/s	200 - 83
	High - Low	m3/h	720 - 300
Sound	Pressure High - Low	dB(A)	44 - 20
	Power High - Low	dB(A)	58 - 35
Unit	Height x Width x Depth	mm	293 x 851 x 270
	Weight	kg	14
Pipe Connection	Flare Connections (gas - liquid)	inch	3/8" - 1/4"
	Drain Pipe Connection OD/ID	mm	16/14
Remote controller			WH-TA01LE

Accessories

[RB-N105S-G](#) Wireless adapter (Without cable)

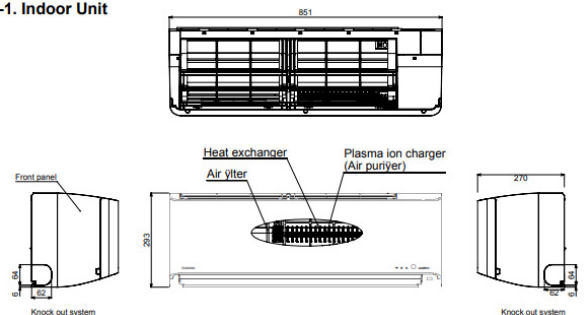
*All [Accessories / Controls](#)

Related Items:

- [BIM Files](#)
- [CAD Files](#)
- [Airflow/ Fan Curve](#)
- [Dimensional Drawing](#)
- [Wiring Diagram](#)
- [Installation Manual](#)
- [Owners Manual](#)



-1. Indoor Unit




DAISEIKAI 9: RAS - 13PKVPG-E

- Power supply to indoor or outdoor unit.
- 3D Airflow with vertical & horizontal louvres.
- Less than 20dB(A) in silent mode operation.
- Toshiba's leading indoor air quality solution with double filtration system.
- Market Benchmark for High efficiency solutions with A+++ in Heating & Cooling.



Retail Price (interactive icons):

Hi - Res Image 



HIGH TIER PRODUCT RANGE

CODE		35	
Performance			
Indoor Unit	RAS-		13PKVPG-E
Outdoor Unit	RAS-		13PAVPG-E
Nominal	Cooling Capacity	kW	3.5
	Heating Capacity	kW	4.0
	EER/COP	W/W	4.67/5.00
UK	Cooling Total/Sensible	kW	3.42/2.74
	Heating	kW	2.51
Cooling EN14825	Range Min. - Max.	kW	0.90 - 4.10
	Power Input	kW	0.75
	Pdesign	kW	3.5
	SEER/Energy Efficiency Class		9.50/A+++
	Seasonal Energy Consumption	kWh/a	129
Heating EN14825	Range Min. - Max.	kW	0.80 - 6.30
	Power Input	kW	.80
	Pdesign	kW	3.6
	SCOP/Energy Efficiency Class		5.10/A+++
	Seasonal Energy Consumption	kWh/a	988

Indoor Data			
Air Flow	High - Low	l/s	200 - 83
	High - Low	m3/h	720 - 300
Sound	Pressure High - Low	dB(A)	45 - 20
	Power High - Low	dB(A)	60 - 35
Unit	Height x Width x Depth	mm	293 x 851 x 270
	Weight	kg	14
Pipe Connection	Flare Connections (gas - liquid)	inch	3/8" - 1/4"
	Drain Pipe Connection OD/ID	mm	16/14
Remote controller			WH-TA01LE

Accessories

[RB-N105S-G](#) Wireless adapter (Without cable)

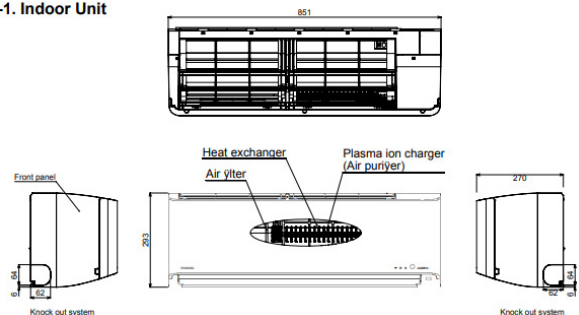
*All [Accessories / Controls](#)

Related Items:

- [BIM Files](#)
- [CAD Files](#)
- [Airflow/ Fan Curve](#)
- [Dimensional Drawing](#)
- [Wiring Diagram](#)
- [Installation Manual](#)
- [Owners Manual](#)




-1. Indoor Unit



DAISEIKAI 9: RAS - 16PKVPG-E

- Power supply to indoor or outdoor unit.
- 3D Airflow with vertical & horizontal louvres.
- Less than 20dB(A) in silent mode operation.
- Toshiba's leading indoor air quality solution with double filtration system.
- Market Benchmark for High efficiency solutions with A+++ in Heating & Cooling.



Hi - Res Image 

Retail Price (interactive icons):



UK



ROI



HIGH TIER PRODUCT RANGE

CODE		45	
Performance			
Indoor Unit	RAS-		16PKVPG-E
Outdoor Unit	RAS-		16PAVPG-E
Nominal	Cooling Capacity	kW	4.5
	Heating Capacity	kW	5.5
	EER/COP	W/W	4.17/4.01
UK	Cooling Total/Sensible	kW	4.40/3.56
	Heating	kW	3.43
Cooling EN14825	Range Min. - Max.	kW	0.90 - 5.10
	Power Input	kW	1.08
	Pdesign	kW	4.5
	SEER/Energy Efficiency Class		8.50/A+++
	Seasonal Energy Consumption	kWh/a	185
Heating EN14825	Range Min. - Max.	kW	0.80 - 6.80
	Power Input	kW	1.37
	Pdesign	kW	4.5
	SCOP/Energy Efficiency Class		4.60/A++
	Seasonal Energy Consumption	kWh/a	1369
Indoor Data			
Air Flow	High - Low	l/s	206 - 86
	High - Low	m3/h	740 - 310
Sound	Pressure High - Low	dB(A)	46 - 22
	Power High - Low	dB(A)	60 - 37
Unit	Height x Width x Depth	mm	293 x 851 x 270
	Weight	kg	14
Pipe Connection	Flare Connections (gas - liquid)	inch	1/2" - 1/4"
	Drain Pipe Connection OD/ID	mm	16/14
Remote controller			WH-TA01LE

Accessories

[RB-N105S-G](#) Wireless adapter (Without cable)

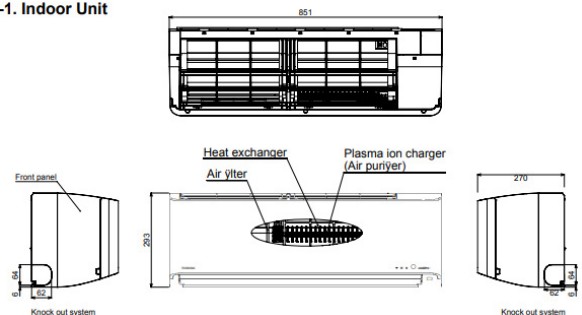
*All [Accessories / Controls](#)

Related Items:

- [BIM Files](#)
- [CAD Files](#)
- [Airflow/ Fan Curve](#)
- [Dimensional Drawing](#)
- [Wiring Diagram](#)
- [Installation Manual](#)
- [Owners Manual](#)



-1. Indoor Unit



DAISEIKAI 9: RAS - 10PAVPG-E - 16PAVPG-E

- Outdoor unit noise reduction at night.
- Power supply to indoor or outdoor unit
- Capacity booster to reach comfort set point faster.
- Energy Class A+++/A+++ cooling and heating modes.
- Wide ambient range: cooling -15°C to 46°C heating -15°C to 24°C.



Hi - Res Image

Retail Price (interactive icons):



UK



ROI



HIGH TIER PRODUCT RANGE

CODE			25	35	45
Performance					
Outdoor Unit		RAS-	10PAVPG-E	13PAVPG-E	16PAVPG-E
Operating Range	Cooling	C°	-15 ~ 46	-15 ~ 46	-15 ~ 46
	Heating		-15 ~ 24	-15 ~ 24	-15 ~ 24
Air Flow	High	m3/h - l/s	2160 - 600	2160 - 600	2160 - 600
Sound	Pressure High Cooling/Heating/Silent	dB(A)	46 / 47 / 42	48 / 50 / 45	49 / 50 / 45
	Power High Cooling/Heating/Silent	dB(A)	61 / 62 / 57	63 / 65 / 60	64 / 65 / 60
Unit	Height x Width x Depth	mm	630 x 800 x 300	630 x 800 x 300	630 x 800 x 300
	Weight	kg	38	38	38
Pipe Connection	Flare Connections (gas-liquid)	inch	3/8" - 1/4"	3/8" - 1/4"	1/2" - 1/4"
	Min.-Max. Length	m	2-25	2-25	2-25
	Maximum Height Difference	m	±10	±10	±10
	Drain Port Connection	mm	16	16	16
Refrigerant Charge	Base Charge/Chargeless Length	m	1.0/15	1.0/15	1.0/15
	Additional Charge	g/m	20	20	20
Run Current	Maximum	Amps	3.40	4.01	6.44
Power Cable	Outdoor to Indoor		3 core + earth	3 core + earth	3 core + earth
Power Supply	Suggested Fuse Size	V/ph/Hz-A	220-240/1/50-10	220-240/1/50-10	220-240/1/50-16

Related Items - 10PAVPG-E:

- [BIM Files](#)
- [CAD Files](#)
- [Full Specification](#)
- [Dimensional Drawing](#)
- [Wiring Diagram](#)
- [Noise Curve Data](#)
- [Installation Manual](#)



Related Items - 13PAVPG-E:

- [BIM Files](#)
- [CAD Files](#)
- [Full Specification](#)
- [Dimensional Drawing](#)
- [Wiring Diagram](#)
- [Noise Curve Data](#)
- [Installation Manual](#)

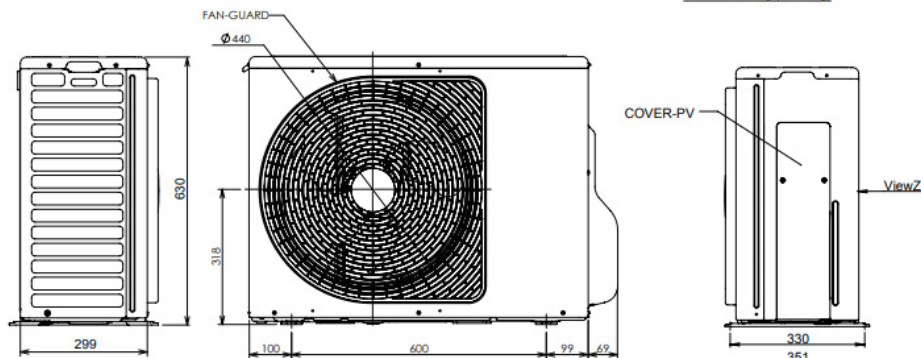


Related Items - 16PAVPG-E:

- [BIM Files](#)
- [CAD Files](#)
- [Full Specification](#)
- [Dimensional Drawing](#)
- [Wiring Diagram](#)
- [Noise Curve Data](#)
- [Installation Manual](#)



*All [Accessories / Controls](#)



DAISEIKAI 10



DAISEIKAI 10: RAS - B10S4KV*G-E

- Power supply to indoor or outdoor unit.
- WI-FI built in with advanced energy monitoring.
- New smart sensing with thermo mapping technology.
- Provides outstanding performance even down to temperatures of -30°C.
- Daiseikai 10 epitomises reliability and durability with sustainability at its core.



Hi - Res Image



Retail Price (interactive icons):

- UK ROI WOOD
 UK ROI WHITE

ELITE TIER PRODUCT RANGE

CODE		25	
Performance			
Indoor Unit	White	RAS-	B10S4KVPG-E
Indoor Unit	Wood	RAS-	B10S4KVDG-E
Outdoor Unit		RAS-	10S4AVPG-E
Nominal	Cooling Capacity	kW	2.5
	Heating Capacity	kW	3.2
	EER/COP	W/W	5.32/5.33
UK	Cooling Total/Sensible	kW	2.44/2.03
	Heating	kW	1.90
Cooling EN14825	Range Min. - Max.	kW	0.60 - 3.50
	Power Input	kW	0.47
	Pdesign	kW	2.5
	SEER/Energy Efficiency Class		10.70/A+++
	Seasonal Energy Consumption	kWh/a	82
Heating EN14825	Range Min. - Max.	kW	0.65 - 5.80
	Power Input	kW	0.60
	Pdesign	kW	3.0
	SCOP/Energy Efficiency Class		5.30/A+++
	Seasonal Energy Consumption	kWh/a	792
Indoor Data			
Air Flow	High - Low	l/s	208 - 83
	High - Low	m3/h	750 - 300
Sound	Pressure High - Low	dB(A)	41 - 25
	Power High - Low	dB(A)	55 - 40
Unit	Height x Width x Depth (White)	mm	293 x 930 x 255
	Height x Width x Depth (Wood)	mm	293 x 940 x 257
	Weight (White/Wood)	kg	14/16
Pipe Connection	Flare Connections (gas - liquid)	inch	3/8" - 1/4"
	Drain Pipe Connection OD/ID	mm	16/14
Remote controller	White		WH-UD02UE
Remote controller	Wood		WH-UD01UE

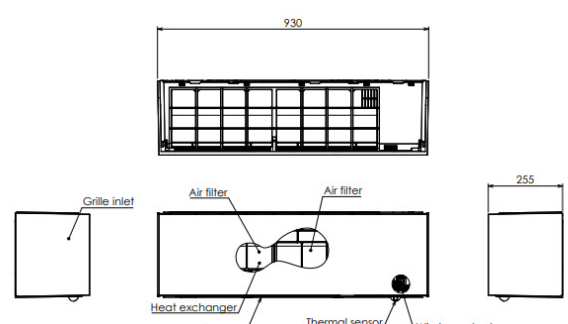
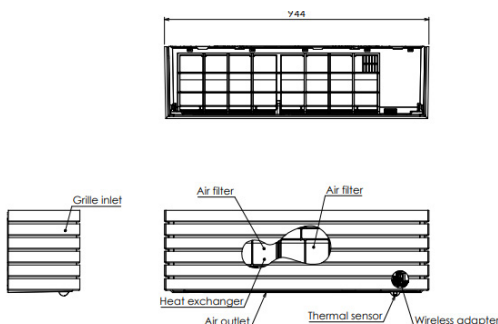
Related Items - WOOD:

- [Full Specification](#)
- [Dimensional Drawing](#)
- [Wiring Diagram](#)



Related Items - WHITE:

- [Full Specification](#)
- [Dimensional Drawing](#)
- [Wiring Diagram](#)
- [Installation Manual](#)



DAISEIKAI 10: RAS - B13S4KVPG-E

- Power supply to indoor or outdoor unit.
- WI-FI built in with advanced energy monitoring.
- New smart sensing with thermo mapping technology.
- Provides outstanding performance even down to temperatures of -30°C.
- Daiseikai 10 epitomises reliability and durability with sustainability at its core.



Retail Price (interactive icons):

- UK ROI WOOD
 UK ROI WHITE



Hi - Res Image

ELITE TIER PRODUCT RANGE

CODE		35	
Performance			
Indoor Unit	White	RAS-	B13S4KVPG-E
Indoor Unit	Wood	RAS-	B13S4KVDG-E
Outdoor Unit		RAS-	13S4AVPG-E
Nominal	Cooling Capacity	kW	3.5
	Heating Capacity	kW	4.0
	EER/COP	W/W	4.38/5.00
UK	Cooling Total/Sensible	kW	3.42/2.74
	Heating	kW	2.51
Cooling EN14825	Range Min. - Max.	kW	0.90 - 4.20
	Power Input	kW	0.80
	Pdesign	kW	3.5
	SEER/Energy Efficiency Class		9.70/A+++
Heating EN14825	Seasonal Energy Consumption	kWh/a	126
	Range Min. - Max.	kW	0.70 - 6.30
	Power Input	kW	.80
	Pdesign	kW	3.6
	SCOP/Energy Efficiency Class		5.20/A+++
	Seasonal Energy Consumption	kWh/a	969
Indoor Data			
Air Flow	High - Low	l/s	222 - 91
	High - Low	m3/h	800 - 330
Sound	Pressure High - Low	dB(A)	42 - 26
	Power High - Low	dB(A)	57 - 41
Unit	Height x Width x Depth (White)	mm	293 x 930 x 255
	Height x Width x Depth (Wood)	mm	293 x 940 x 257
	Weight (White/Wood)	kg	14/16
Pipe Connection	Flare Connections (gas - liquid)	inch	3/8" - 1/4"
	Drain Pipe Connection OD/ID	mm	16/14
Remote controller	White		WH-UD02UE
Remote controller	Wood		WH-UD01UE

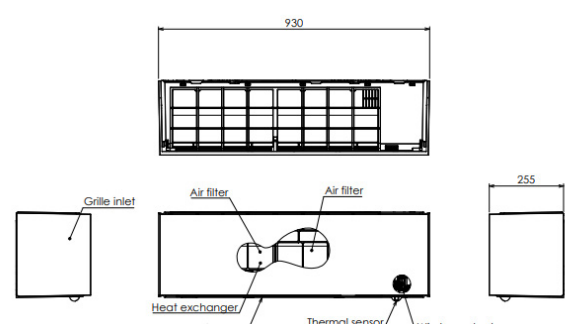
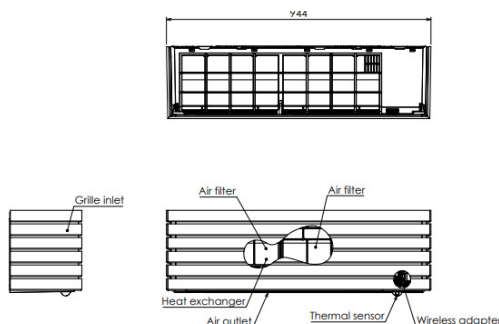
Related Items - WOOD:

- [Full Specification](#)
- [Dimensional Drawing](#)
- [Wiring Diagram](#)



Related Items - WHITE:

- [Full Specification](#)
- [Dimensional Drawing](#)
- [Wiring Diagram](#)
- [Installation Manual](#)



DAISEIKAI 10: RAS - B18S4KVPG-E

- Power supply to indoor or outdoor unit.
- Wi-Fi built in with advanced energy monitoring.
- New smart sensing with thermo mapping technology.
- Provides outstanding performance even down to temperatures of -30°C.
- Daiseikai 10 epitomises reliability and durability with sustainability at its core.



Hi - Res Image

Retail Price (interactive icons):



WOOD



WHITE

ELITE TIER PRODUCT RANGE

CODE		25	
Performance			
Indoor Unit	White	RAS-	B18S4KVPG-E
Indoor Unit	Wood	RAS-	B18S4KVDG-E
Outdoor Unit		RAS-	18S4AVPG-E
Nominal	Cooling Capacity	kW	5.0
	Heating Capacity	kW	6.0
	EER/COP	W/W	3.57/4.14
UK	Cooling Total/Sensible	kW	4.40/3.56
	Heating	kW	3.43
Cooling EN14825	Range Min. - Max.	kW	0.90 - 6.0
	Power Input	kW	1.40
	Pdesign	kW	5.0
	SEER/Energy Efficiency Class		8.60/A+++
	Seasonal Energy Consumption	kWh/a	203
Heating EN14825	Range Min. - Max.	kW	0.80 - 7.20
	Power Input	kW	1.45
	Pdesign	kW	4.5
	SCOP/Energy Efficiency Class		4.80/A++
	Seasonal Energy Consumption	kWh/a	1312
Indoor Data			
Air Flow	High - Low	l/s	225 - 2
	High - Low	m3/h	810 - 37
Sound	Pressure High - Low	dB(A)	45 - 26
	Power High - Low	dB(A)	59 - 41
Unit	Height x Width x Depth (White)	mm	293 x 930 x 255
	Height x Width x Depth (Wood)	mm	293 x 940 x 257
	Weight (White/Wood)	kg	14/16
Pipe Connection	Flare Connections (gas - liquid)	inch	1/2" - 1/4"
	Drain Pipe Connection OD/ID	mm	16/14
Remote controller	White		WH-UD02UE
Remote controller	Wood		WH-UD01UE

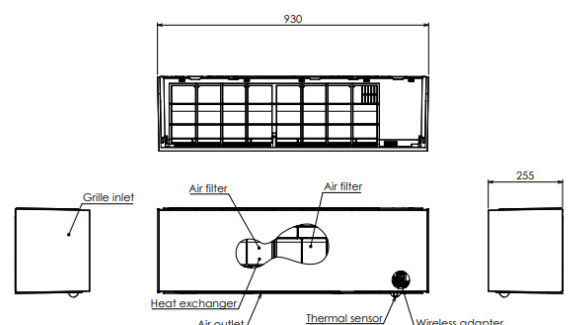
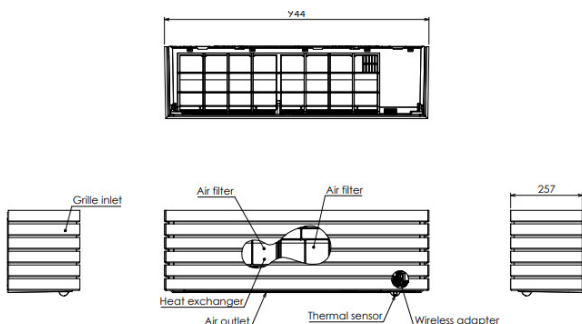
Related Items - WOOD:

- [Full Specification](#)
- [Dimensional Drawing](#)
- [Wiring Diagram](#)



Related Items - WHITE:

- [Full Specification](#)
- [Dimensional Drawing](#)
- [Wiring Diagram](#)



DAISEIKAI 10: RAS - 10S4AVPG-E - B18S4KVPG-E

- Supports energy monitoring.
- High efficiency SCOP/SEER A+++.
- Power supply to indoor or outdoor unit.
- DAISEIKAI 10 epitomizes reliability and durability.
- Outstanding performances even down to -30°C.



Hi - Res Image

Retail Price (interactive icons):



UK



ROI



ELITE TIER PRODUCT RANGE

CODE			25	35	50
Performance					
Outdoor Unit		RAS-	10S4AVPG-E	13S4AVPG-E	18S4AVPG-E
Operating Range	Cooling	C°	-15 ~ 46	-15 ~ 46	-15 ~ 46
	Heating		-20 ~ 24	-20 ~ 24	-20 ~ 24
Air Flow	High	m3/h - l/s	2100 - 583	2160 - 600	2220 - 616
Sound	Pressure High Cooling/Heating/Silent	dB(A)	44 / 45 / 41	45 / 46 / 42	47 / 49 / 44
	Power High Cooling/Heating/Silent	dB(A)	57 / 58 / 54	58 / 59 / 55	60 / 62 / 57
Unit	Height x Width x Depth	mm	630 x 800 x 300	630 x 800 x 300	630 x 800 x 300
	Weight	kg	38	38	38
Pipe Connection	Flare Connections (gas-liquid)	inch	3/8" - 1/4"	3/8" - 1/4"	1/2" - 1/4"
	Min.-Max. Length	m	2-25	2-25	2-25
	Maximum Height Difference	m	±15	±15	±15
	Drain Port Connection	mm	16	16	16
Refrigerant Charge	Base Charge/Chargeless Length	m	1.0/15	1.0/15	1.0/15
	Additional Charge	g/m	20	20	20
Run Current	Maximum	Amps	3.40	4.01	6.44
Power Cable	Outdoor to Indoor		3 core + earth	3 core + earth	3 core + earth
Power Supply	Suggested Fuse Size	V/ph/Hz-A	220-240/1/50-10	220-240/1/50-10	220-240/1/50-16

Related Items - 10S4AVPG-E:

- [Dimensional Drawing](#)
- [Wiring Diagram](#)



Related Items - 13S4AVPG-E:

- [Dimensional Drawing](#)
- [Wiring Diagram](#)

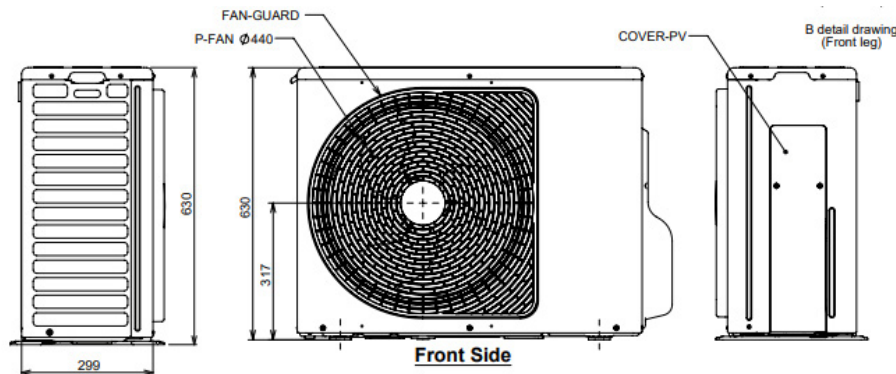


Related Items - 18S4AVPG-E:

- [Dimensional Drawing](#)
- [Wiring Diagram](#)



*All [Accessories / Controls](#)




Bi-Flow



BI-FLOW: RAS - B10J2FVG-E

- Easily blends into any decor.
- Wi-Fi available when utilising adapter.
- Compact design suitable for under window ledges.
- Floor mounted design to ensure perfect air distribution.
- Provides optimum comfort with A++ in heating and cooling.



Hi - Res Image 

Retail Price (interactive icons):



UK



ROI



CODE		25	
Performance			
Indoor Unit		RAS-	B10J2FVG-E
Outdoor Unit		RAS-	10J2AVSG-E1
Nominal	Cooling Capacity	kW	2.5
	Heating Capacity	kW	3.2
	EER/COP	W/W	4.24/3.90
UK	Cooling Total/Sensible	kW	2.44/2.03
	Heating	kW	1.90
Cooling EN14825	Range Min. - Max.	kW	0.95 - 3.2
	Power Input	kW	0.59
	Pdesign	kW	2.5
	SEER/Energy Efficiency Class		7.20/A++
	Seasonal Energy Consumption	kWh/a	121
Heating EN14825	Range Min. - Max.	kW	0.85 - 4.40
	Power Input	kW	0.82
	Pdesign	kW	2.5
	SCOP/Energy Efficiency Class		4.70/A++
	Seasonal Energy Consumption	kWh/a	744

Indoor Data			
Air Flow	High - Low	l/s	136 - 71
	High - Low	m3/h	492 - 258
Sound	Pressure High - Low	dB(A)	39 - 23
	Power High - Low	dB(A)	54 - 38
Unit	Height x Width x Depth	mm	600 x 700 x 220
	Weight	kg	16
Pipe Connection	Flare Connections (gas - liquid)	inch	3/8" - 1/4"
	Drain Pipe Connection OD/ID	mm	16/14
Remote controller			WH-TA 12LE

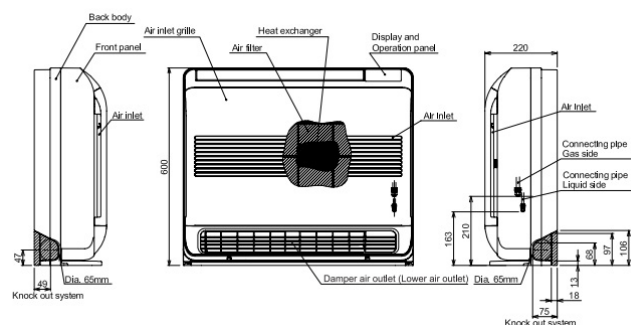
Accessories

RB-1301-E	Refrigerant Leak detection sensor
RB-N106S-G	Wireless adapter with Cable

*All [Accessories / Controls](#)

Related Items:


- [BIM Files](#)
- [CAD Files](#)
- [Full Specification](#)
- [Airflow/ Fan Curve](#)
- [Dimensional Drawing](#)
- [Wiring Diagram](#)
- [Installation Manual](#)
- [Owners Manual](#)



BI-FLOW: RAS - B13J2FVG-E

- Easily blends into any decor.
- Wi-Fi available when utilising adapter.
- Compact design suitable for under window ledges.
- Floor mounted design to ensure perfect air distribution.
- Provides optimum comfort with A++ in heating and cooling.



Hi - Res Image 

Retail Price (interactive icons):



UK



ROI



CODE		35	
Performance			
Indoor Unit		RAS-	B13J2FVG-E
Outdoor Unit		RAS-	13J2AVSG-E1
Nominal	Cooling Capacity	kW	3.5
	Heating Capacity	kW	4.2
	EER/COP	W/W	4.02/3.31
UK	Cooling Total/Sensible	kW	3.42/2.74
	Heating	kW	2.51
Cooling EN14825	Range Min. - Max.	kW	1.05 - 4.1
	Power Input	kW	0.87
	Pdesign	kW	3.5
	SEER/Energy Efficiency Class		7.00/A++
	Seasonal Energy Consumption	kWh/a	174
Heating EN14825	Range Min. - Max.	kW	1.0 - 5.0
	Power Input	kW	1.27
	Pdesign	kW	3.0
	SCOP/Energy Efficiency Class		4.70/A++
	Seasonal Energy Consumption	kWh/a	893

Indoor Data

Air Flow	High - Low	l/s	153 - 75
	High - Low	m3/h	552 - 270
Sound	Pressure High - Low	dB(A)	40 - 24
	Power High - Low	dB(A)	55 - 39
Unit	Height x Width x Depth	mm	600 x 700 x 220
	Weight	kg	16
Pipe Connection	Flare Connections (gas - liquid)	inch	3/8" - 1/4"
	Drain Pipe Connection OD/ID	mm	16/14
Remote controller			WH-TA12LE

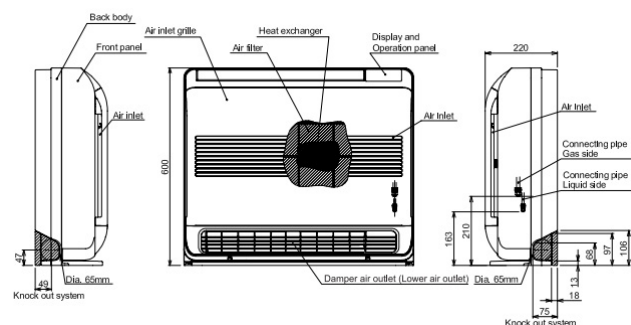
Accessories

RB-1301-E	Refrigerant Leak detection sensor
RB-N106S-G	Wireless adapter with Cable

*All [Accessories / Controls](#)

Related Items:


- [BIM Files](#)
- [CAD Files](#)
- [Full Specification](#)
- [Airflow/ Fan Curve](#)
- [Dimensional Drawing](#)
- [Wiring Diagram](#)
- [Installation Manual](#)
- [Owners Manual](#)



BI-FLOW: RAS - B18J2FVG-E

- Easily blends into any decor.
- Wi-Fi available when utilising adapter.
- Compact design suitable for under window ledges.
- Floor mounted design to ensure perfect air distribution.
- Provides optimum comfort with A++ in heating and cooling.



Hi - Res Image 

Retail Price (interactive icons):



UK



ROI



CODE		50	
Performance			
Indoor Unit		RAS-	B18J2FVG-E
Outdoor Unit		RAS-	18J2AVSG-E1
Nominal	Cooling Capacity	kW	5.0
	Heating Capacity	kW	6.0
	EER/COP	W/W	2.98/2.93
UK	Cooling Total/Sensible	kW	4.40/3.56
	Heating	kW	3.43
Cooling EN14825	Range Min. - Max.	kW	1.2 - 5.6
	Power Input	kW	1.68
	Pdesign	kW	5.0
	SEER/Energy Efficiency Class		6.80/A++
	Seasonal Energy Consumption	kWh/a	257
Heating EN14825	Range Min. - Max.	kW	1.3 - 6.3
	Power Input	kW	2.05
	Pdesign	kW	4.0
	SCOP/Energy Efficiency Class		4.60/A++
	Seasonal Energy Consumption	kWh/a	1217

Indoor Data

Air Flow	High - Low	l/s	183 - 101
	High - Low	m3/h	660 - 366
Sound	Pressure High - Low	dB(A)	47 - 31
	Power High - Low	dB(A)	61 - 46
Unit	Height x Width x Depth	mm	600 x 700 x 220
	Weight	kg	16
Pipe Connection	Flare Connections (gas - liquid)	inch	1/2" - 1/4"
	Drain Pipe Connection OD/ID	mm	16/14
Remote controller			WH-TA 12LE

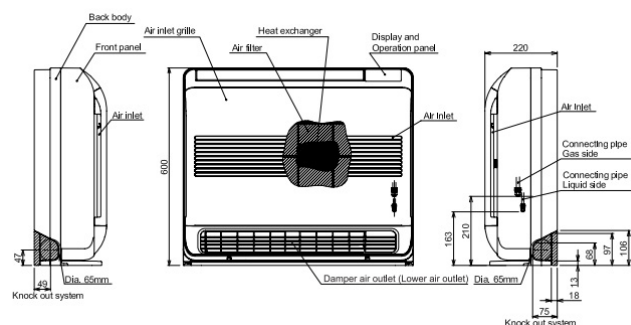
Accessories

RB-1301-E	Refrigerant Leak detection sensor
RB-N106S-G	Wireless adapter with Cable

*All [Accessories / Controls](#)

Related Items:

- [BIM Files](#)
- [CAD Files](#)
- [Full Specification](#)
- [Airflow/ Fan Curve](#)
- [Dimensional Drawing](#)
- [Wiring Diagram](#)
- [Installation Manual](#)
- [Owners Manual](#)



BI-FLOW: RAS - 10J2AVSG-E1 - 18J2AVSG-E1

- Auto-diagnosis function.
- Compact and light weight (34Kg).
- Outdoor unit silent operation down to 38 dB(A).
- Energy Class A++/A++ cooling and heating modes.
- Toshiba Inverter and compressor technology with R32.



Hi - Res Image

Retail Price (interactive icons):



UK



ROI



CODE			25	35	50
Performance					
Outdoor Unit		RAS-	10J2AVSG-E1	13J2AVSG-E1	18J2AVSG-E1
Operating Range	Cooling	C°	-15 ~ 46	-15 ~ 46	-15 ~ 46
	Heating		-15 ~ 24	-15 ~ 24	-15 ~ 24
Air Flow	High	m3/h - l/s	1890 - 524	1950 - 540	2076 - 576
Sound	Pressure High Cooling/Heating/Silent	dB(A)	45 / 47 / 38	47 / 49 / 40	49 / 51 / 43
	Power High Cooling/Heating/Silent	dB(A)	58 / 60 / 51	60 / 62 / 53	62 / 64 / 56
Unit	Height x Width x Depth	mm	550x780x290	550x780x290	550x780x290
	Weight	kg	26	30	34
Pipe Connection	Flare Connections (gas-liquid)	inch	3/8" - 1/4"	3/8" - 1/4"	1/2" - 1/4"
	Min.-Max. Length	m	2-20	2-20	2-20
	Maximum Height Difference	m	±12	±12	±12
	Drain Port Connection	mm	16	16	16
Refrigerant Charge	Base Charge/Chargeless Length	m	0.55/15	0.80/15	1.1/15
	Additional Charge	g/m	20	20	20
Run Current	Maximum	Amps	3.97	5.22	8.05
Power Cable	Outdoor to Indoor		3 core + earth	3 core + earth	3 core + earth
Power Supply	Suggested Fuse Size	V/ph/Hz-A	220-240/1/50-10	220-240/1/50-10	220-240/1/50-16

Related Items - 10J2AVSG-E1:

- [BIM Files](#)
- [Full Specification](#)
- [Dimensional Drawing](#)
- [Wiring Diagram](#)
- [Noise Curve Data](#)
- [Installation Manual](#)



Related Items - 13J2AVSG-E1:

- [BIM Files](#)
- [Full Specification](#)
- [Dimensional Drawing](#)
- [Wiring Diagram](#)
- [Noise Curve Data](#)
- [Installation Manual](#)

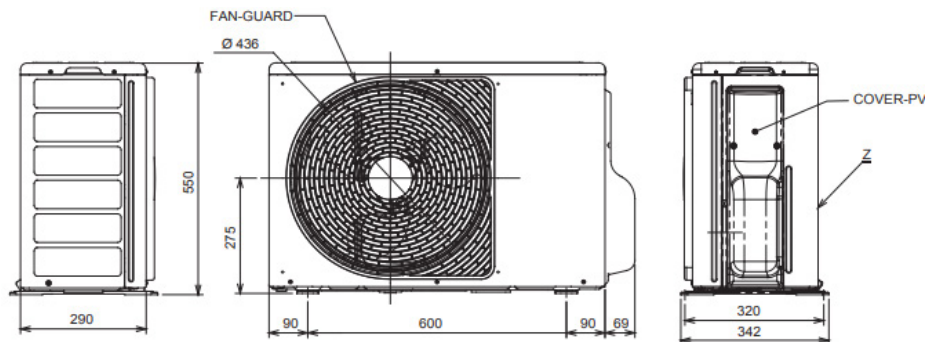


Related Items - 18J2AVSG-E1:

- [BIM Files](#)
- [Full Specification](#)
- [Dimensional Drawing](#)
- [Wiring Diagram](#)
- [Noise Curve Data](#)
- [Installation Manual](#)



*All [Accessories / Controls](#)





MULTI: RAS - 2M10G3AVG-E

- Supports Wi-Fi control.
- Best in class energy efficiency A++ / A++.
- Dyna Doctor port for easy service connection.
- Supports energy monitoring on compatible indoor units.
- New compact outdoor unit size for 2M10 and 2M14 models.



Retail Price (interactive icons):

Hi - Res Image



UK



ROI



CODE		33	
Performance			
Outdoor Unit		RAS-	2M10G3AVG-E
Indoor Units Connected		Min.-Max.	2-2
Capacity Code	2 x Indoor Connection	Min.-Max.	10-20
	3+ Indoor Connection	Min.-Max.	-
Nominal	Cooling Capacity	kW	3.3
	Heating Capacity	kW	4.0
	EER/COP	W/W	4.93 / 4.71
Cooling EN14825	Range Min. - Max.	kW	1.20 - 4.1
	Power Input	kW	0.67
	Pdesign	kW	3.3
	SEER/Energy Efficiency Class		8.6 / A+++
	Seasonal Energy Consumption	kWh/a	169
Heating EN14825	Range Min. - Max.	kW	1.00 - 4.90
	Power Input	kW	0.85
	Pdesign	kW	2.7
	SCOP/Energy Efficiency Class		4.7 / A++
	Seasonal Energy Consumption	kWh/a	805

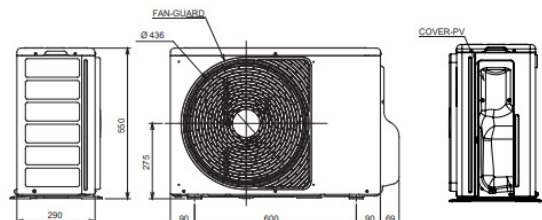
Outdoor Data			
Operating Range	Cooling	°C	-10/46
	Heating		-20/24
Air Flow	High	m ³ /h - l/s	2100-583
Sound	Pressure High/Low	dB(A)	51/46
	Power High	dB(A)	64
Unit	Height x Width x Depth	mm	550 x 780 x 290
	Weight	kg	31
Pipe Connection	Flare Connections (gas - liquid)	inch	3/8" x 2 - 1/4" x 2
	Min.-Max. Length	m	2-20
	Maximum Pipe Length Per Unit	m	15
	Maximum Height Difference	m	10
	Drain Port Connection	mm	16
Refrigerant R410A	Base Charge/Chargeless Length	m	0.8 / 20
	Additional Charge	g/m	0
Run Current	Maximum	Amps	4.90
Power Cable	Outdoor to Indoor		3 core + earth
Power Supply	Suggested Fuse Size	V/ph/Hz-A	220-240/1/50-10

RAS Indoor Model (B-Code)	Cooling	Heating	Seiya	Shorai Edge (B&W)	Haori	Daiseikai (9&10)	Console	Cassette	Ducted
05	1.5	2.0	✓	✗	✗	✗	✗	✗	✗
07	2.0	2.7	✓	✗	✗	✗	✗	✗	✓
10	2.7	4.0	✓	✓	✓	✓	✓	✓	✓
13	3.7	5.0	✓	✓	✓	✓	✓	✓	✓
16	4.5	5.5	✓	✓	✓	✓	✗	✓	✓
18	5.0	6.0	✓	✓	✗	✗	✓	✗	✗
22	6.0	7.0	✗	✓	✗	✗	✗	✗	✓
24	7.1	8.1	✓	✓	✗	✗	✗	✗	✓

*All Accessories / Controls

Related Items:

- [Full Specification](#)
- [Dimensional Drawing](#)
- [Wiring Diagram](#)
- [Combinations](#)
- [Noise Curve Data](#)
- [Installation Manual](#)



MULTI: RAS - 2M14G3AVG-E

- Supports Wi-Fi control.
- Best in class energy efficiency A++ / A++.
- Dyna Doctor port for easy service connection.
- Supports energy monitoring on compatible indoor units.
- New compact outdoor unit size for 2M10 and 2M14 models.



Hi - Res Image

Retail Price (interactive icons):



UK



ROI



CODE		40	
Performance			
Outdoor Unit		RAS-	2M14G3AVG-E
Indoor Units Connected		Min.-Max.	2-2
Capacity Code	2 x Indoor Connection	Min.-Max.	10-26
	3+ Indoor Connection	Min.-Max.	-
Nominal	Cooling Capacity	kW	4.0
	Heating Capacity	kW	4.4
	EER/COP	W/W	4.71 / 4.89
Cooling EN14825	Range Min. - Max.	kW	1.5 - 4.9
	Power Input	kW	0.85
	Pdesign	kW	4.0
	SEER/Energy Efficiency Class		8.7 / A+++
	Seasonal Energy Consumption	kWh/a	169
Heating EN14825	Range Min. - Max.	kW	1.00 - 5.20
	Power Input	kW	0.90
	Pdesign	kW	3.1
	SCOP/Energy Efficiency Class		4.8 / A++
	Seasonal Energy Consumption	kWh/a	904

Outdoor Data

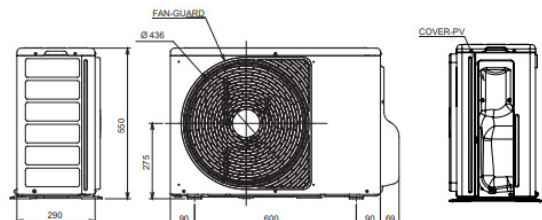
Operating Range	Cooling	°C	-10/46
	Heating		-20/24
Air Flow	High	m ³ /h - l/s	2250-625
Sound	Pressure High/Low	dB(A)	52/46
	Power High	dB(A)	65
Unit	Height x Width x Depth	mm	550 x 780 x 290
	Weight	kg	35
Pipe Connection	Flare Connections (gas - liquid)	inch	3/8" x 2 - 1/4" x 2
	Min.-Max. Length	m	2-30
	Maximum Pipe Length Per Unit	m	20
	Maximum Height Difference	m	10
Refrigerant R410A	Drain Port Connection	mm	16
	Base Charge/Chargeless Length	m	0.95 / 30
	Additional Charge	g/m	0
Run Current	Maximum	Amps	5.20
Power Cable	Outdoor to Indoor		3 core + earth
Power Supply	Suggested Fuse Size	V/ph/Hz-A	220-240/1/50-10

RAS Indoor Model (B-Code)	Cooling	Heating	Seiya	Shorai Edge (B&W)	Haori	Daiseikai (9&10)	Console	Cassette	Ducted
05	1.5	2.0	✓	✗	✗	✗	✗	✗	✗
07	2.0	2.7	✓	✗	✗	✗	✗	✗	✓
10	2.7	4.0	✓	✓	✓	✓	✓	✓	✓
13	3.7	5.0	✓	✓	✓	✓	✓	✓	✓
16	4.5	5.5	✓	✓	✓	✓	✗	✓	✓
18	5.0	6.0	✓	✓	✗	✗	✓	✗	✗
22	6.0	7.0	✗	✓	✗	✗	✗	✗	✓
24	7.1	8.1	✓	✓	✗	✗	✗	✗	✓

*All [Accessories / Controls](#)

Related Items:

- [Full Specification](#)
- [Dimensional Drawing](#)
- [Wiring Diagram](#)
- [Combinations](#)
- [Noise Curve Data](#)
- [Installation Manual](#)



MULTI: RAS - 2M18G3AVG-E

- Supports Wi-Fi control.
- Best in class energy efficiency A++ / A++.
- Dyna Doctor port for easy service connection.
- Supports energy monitoring on compatible indoor units.
- New compact outdoor unit size for 2M10 and 2M14 models.



Hi - Res Image

Retail Price (interactive icons):



UK



ROI



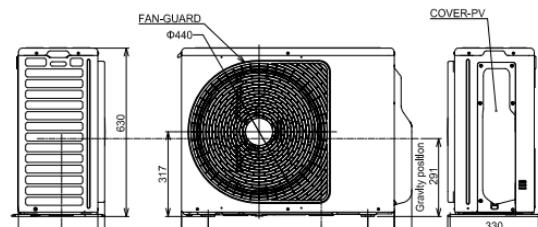
CODE		52	
Performance			
Outdoor Unit		RAS-	2M18G3AVG-E
Indoor Units Connected		Min.-Max.	2-2
Capacity Code	2 x Indoor Connection	Min.-Max.	10-32
	3+ Indoor Connection	Min.-Max.	-
Nominal	Cooling Capacity	kW	5.2
	Heating Capacity	kW	5.6
	EER/COP	W/W	4.33 / 4.91
Cooling EN14825	Range Min. - Max.	kW	1.6 - 6.5
	Power Input	kW	1.20
	Pdesign	kW	5.2
	SEER/Energy Efficiency Class		8.7 / A+++
	Seasonal Energy Consumption	kWh/a	243
Heating EN14825	Range Min. - Max.	kW	1.30 - 8.20
	Power Input	kW	1.14
	Pdesign	kW	3.2
	SCOP/Energy Efficiency Class		4.8 / A++
	Seasonal Energy Consumption	kWh/a	914
Outdoor Data			
Operating Range	Cooling	°C	-10/46
	Heating		-20/24
Air Flow	High	m ³ /h - l/s	2600-722
Sound	Pressure High/Low	dB(A)	50/44
	Power High	dB(A)	63
Unit	Height x Width x Depth	mm	630 x 800 x 300
	Weight	kg	43
Pipe Connection	Flare Connections (gas - liquid)	inch	3/8" x 2 - 1/4" x 2
	Min.-Max. Length	m	2-30
	Maximum Pipe Length Per Unit	m	20
	Maximum Height Difference	m	10
Refrigerant R410A	Drain Port Connection	mm	16
	Base Charge/Chargeless Length	m	1.2 / 30
	Additional Charge	g/m	0
Run Current	Maximum	Amps	8.20
Power Cable	Outdoor to Indoor		3 core + earth
Power Supply	Suggested Fuse Size	V/ph/Hz-A	220-240/1/50-16

RAS Indoor Model (B-Code)	Cooling	Heating	Seiya	Shorai Edge (B&W)	Haori	Daiseikai (9&10)	Console	Cassette	Ducted
05	1.5	2.0	✓	✗	✗	✗	✗	✗	✗
07	2.0	2.7	✓	✗	✗	✗	✗	✗	✓
10	2.7	4.0	✓	✓	✓	✓	✓	✓	✓
13	3.7	5.0	✓	✓	✓	✓	✓	✓	✓
16	4.5	5.5	✓	✓	✓	✓	✗	✓	✓
18	5.0	6.0	✓	✓	✗	✗	✓	✗	✗
22	6.0	7.0	✗	✓	✗	✗	✗	✗	✓
24	7.1	8.1	✓	✓	✗	✗	✗	✗	✓

*All Accessories / Controls

Related Items:

- [Full Specification](#)
- [Dimensional Drawing](#)
- [Wiring Diagram](#)
- [Combinations](#)
- [Noise Curve Data](#)
- [Installation Manual](#)



MULTI: RAS - 3M18G3AVG-E

- Supports Wi-Fi control.
- Best in class energy efficiency A++ / A++.
- Dyna Doctor port for easy service connection.
- Supports energy monitoring on compatible indoor units.
- New compact outdoor unit size for 2M10 and 2M14 models.



Hi - Res Image

Retail Price (interactive icons):



UK



ROI



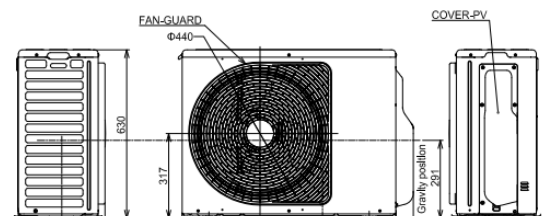
CODE		52	
Performance			
Outdoor Unit		RAS-	3M18G3AVG-E
Indoor Units Connected		Min.-Max.	2-3
Capacity Code	2 x Indoor Connection	Min.-Max.	10-32
	3+ Indoor Connection	Min.-Max.	10-36
Nominal	Cooling Capacity	kW	5.2
	Heating Capacity	kW	6.8
	EER/COP	W/W	5.2 / 4.69
Cooling EN14825	Range Min. - Max.	kW	2.0 - 7.5
	Power Input	kW	1.00
	Pdesign	kW	5.2
	SEER/Energy Efficiency Class		8.6 / A+++
	Seasonal Energy Consumption	kWh/a	262
Heating EN14825	Range Min. - Max.	kW	1.90 - 8.30
	Power Input	kW	1.45
	Pdesign	kW	3.5
	SCOP/Energy Efficiency Class		4.8 / A++
	Seasonal Energy Consumption	kWh/a	1021
Outdoor Data			
Operating Range	Cooling	°C	-10/46
	Heating		-20/24
Air Flow	High	m ³ /h - l/s	2800-778
Sound	Pressure High/Low	dB(A)	52/46
	Power High	dB(A)	65
Unit	Height x Width x Depth	mm	630 x 800 x 300
	Weight	kg	44
Pipe Connection	Flare Connections (gas - liquid)	inch	3/8" x 2 + 1/2"x1 - 1/4" x 3
	Min.-Max. Length	m	2-50
	Maximum Pipe Length Per Unit	m	25
	Maximum Height Difference	m	10
Refrigerant R410A	Drain Port Connection	mm	16
	Base Charge/Chargeless Length	m	1.25 / 50
	Additional Charge	g/m	20
Run Current	Maximum	Amps	6.98
Power Cable	Outdoor to Indoor		3 core + earth
Power Supply	Suggested Fuse Size	V/ph/Hz-A	220-240/1/50-16

RAS Indoor Model (B-Code)	Cooling	Heating	Seiya	Shorai Edge (B&W)	Haori	Daiseikai (9&10)	Console	Cassette	Ducted
05	1.5	2.0	✓	✗	✗	✗	✗	✗	✗
07	2.0	2.7	✓	✗	✗	✗	✗	✗	✓
10	2.7	4.0	✓	✓	✓	✓	✓	✓	✓
13	3.7	5.0	✓	✓	✓	✓	✓	✓	✓
16	4.5	5.5	✓	✓	✓	✓	✗	✓	✓
18	5.0	6.0	✓	✓	✗	✗	✓	✗	✗
22	6.0	7.0	✗	✓	✗	✗	✗	✗	✓
24	7.1	8.1	✓	✓	✗	✗	✗	✗	✓

*All Accessories / Controls

Related Items:

- [Full Specification](#)
- [Dimensional Drawing](#)
- [Wiring Diagram](#)
- [Combinations](#)
- [Noise Curve Data](#)
- [Installation Manual](#)



MULTI: RAS - 3M26G3AVG-E

- Supports Wi-Fi control.
- Best in class energy efficiency A++ / A++.
- Dyna Doctor port for easy service connection.
- Supports energy monitoring on compatible indoor units.
- New compact outdoor unit size for 2M10 and 2M14 models.



Hi - Res Image

Retail Price (interactive icons):



UK



ROI



CODE		75	
Performance			
Outdoor Unit		RAS-	3M26G3AVG-E
Indoor Units Connected		Min.-Max.	2-3
Capacity Code	2 x Indoor Connection	Min.-Max.	10-42
	3+ Indoor Connection	Min.-Max.	10-54
Nominal	Cooling Capacity	kW	7.5
	Heating Capacity	kW	9.0
	EER/COP	W/W	4 / 4.35
Cooling EN14825	Range Min. - Max.	kW	2.0 - 9.0
	Power Input	kW	1.75
	Pdesign	kW	7.5
	SEER/Energy Efficiency Class		8.5 / A+++
	Seasonal Energy Consumption	kWh/a	340
	Range Min. - Max.	kW	2.0 - 11.5
Heating EN14825	Power Input	kW	2.00
	Pdesign	kW	5.2
	SCOP/Energy Efficiency Class		4.6 / A++
	Seasonal Energy Consumption	kWh/a	1583

Outdoor Data

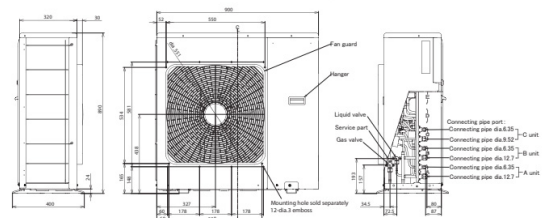
Operating Range	Cooling	°C	-10/46
	Heating		-20/24
Air Flow	High	m ³ /h - l/s	3700-1028
Sound	Pressure High/Low	dB(A)	53/45
	Power High	dB(A)	66
Unit	Height x Width x Depth	mm	890 x 900 x 320
	Weight	kg	67
Pipe Connection	Flare Connections (gas - liquid)	inch	3/8" x 1 + 1/2" x 2 - 1/4" x 3
	Min.-Max. Length	m	3-70
	Maximum Pipe Length Per Unit	m	25
	Maximum Height Difference	m	15
Refrigerant R410A	Drain Port Connection	mm	16
	Base Charge/Chargeless Length	m	1.9 / 40
	Additional Charge	g/m	20
Run Current	Maximum	Amps	9.57
Power Cable	Outdoor to Indoor		3 core + earth
Power Supply	Suggested Fuse Size	V/ph/Hz-A	220-240/1/50-16

RAS Indoor Model (B-Code)	Cooling	Heating	Seiya	Shorai Edge (B&W)	Haori	Daiseikai (9&10)	Console	Cassette	Ducted
05	1.5	2.0	✓	✗	✗	✗	✗	✗	✗
07	2.0	2.7	✓	✗	✗	✗	✗	✗	✓
10	2.7	4.0	✓	✓	✓	✓	✓	✓	✓
13	3.7	5.0	✓	✓	✓	✓	✓	✓	✓
16	4.5	5.5	✓	✓	✓	✓	✗	✓	✓
18	5.0	6.0	✓	✓	✗	✗	✓	✗	✗
22	6.0	7.0	✗	✓	✗	✗	✗	✗	✓
24	7.1	8.1	✓	✓	✗	✗	✗	✗	✓

*All Accessories / Controls

Related Items:

- [Full Specification](#)
- [Dimensional Drawing](#)
- [Wiring Diagram](#)
- [Combinations](#)
- [Noise Curve Data](#)
- [Installation Manual](#)



MULTI: RAS - 4M27G3AVG-E

- Supports Wi-Fi control.
- Best in class energy efficiency A++ / A++.
- Dyna Doctor port for easy service connection.
- Supports energy monitoring on compatible indoor units.
- New compact outdoor unit size for 2M10 and 2M14 models.



Hi - Res Image

Retail Price (interactive icons):



CODE	80
------	----

Performance		RAS-	4M27G3AVG-E
Outdoor Unit			
Indoor Units Connected		Min.-Max.	2-4
Capacity Code	2 x Indoor Connection	Min.-Max.	10-42
	3+ Indoor Connection	Min.-Max.	10-54
Nominal	Cooling Capacity	kW	8.0
	Heating Capacity	kW	9.0
	EER/COP	W/W	4.21 / 4.74
Cooling EN14825	Range Min. - Max.	kW	2.0 - 10.0
	Power Input	kW	1.90
	Pdesign	kW	8.0
	SEER/Energy Efficiency Class		8.3 / A++
	Seasonal Energy Consumption	kWh/a	406
Heating EN14825	Range Min. - Max.	kW	2.0 - 12.0
	Power Input	kW	1.90
	Pdesign	kW	5.2
	SCOP/Energy Efficiency Class		4.5 / A+
	Seasonal Energy Consumption	kWh/a	1617

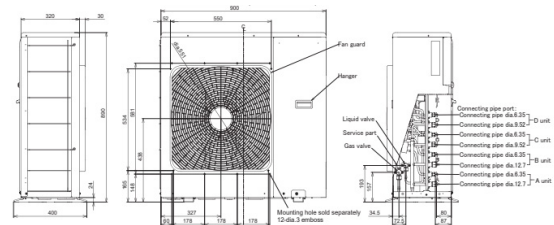
Outdoor Data			
Operating Range	Cooling	°C	-10/46
	Heating		-20/24
Air Flow	High	m3/h - l/s	3700-1028
Sound	Pressure High/Low	dB(A)	54/45
	Power High	dB(A)	67
Unit	Height x Width x Depth	mm	890 x 900 x 320
	Weight	kg	68
Pipe Connection	Flare Connections (gas - liquid)	inch	3/8" x 2 + 1/2" x 2 - 1/4" x 4
	Min.-Max. Length	m	3-70
	Maximum Pipe Length Per Unit	m	25
	Maximum Height Difference	m	15
Refrigerant R410A	Drain Port Connection	mm	16
	Base Charge/Chargeless Length	m	2.05 / 40
	Additional Charge	g/m	20
Run Current	Maximum	Amps	9.29
Power Cable	Outdoor to Indoor		3 core + earth
Power Supply	Suggested Fuse Size	V/ph/Hz-A	220-240/1/50-16

RAS Indoor Model (B-Code)	Cooling	Heating	Seiya	Shorai Edge (B&W)	Haori	Daiseikai (9&10)	Console	Cassette	Ducted
05	1.5	2.0	✓	✗	✗	✗	✗	✗	✗
07	2.0	2.7	✓	✗	✗	✗	✗	✗	✓
10	2.7	4.0	✓	✓	✓	✓	✓	✓	✓
13	3.7	5.0	✓	✓	✓	✓	✓	✓	✓
16	4.5	5.5	✓	✓	✓	✓	✗	✓	✓
18	5.0	6.0	✓	✓	✗	✗	✓	✗	✗
22	6.0	7.0	✗	✓	✗	✗	✗	✗	✓
24	7.1	8.1	✓	✓	✗	✗	✗	✗	✓

*All Accessories / Controls

Related Items:

- [Full Specification](#)
- [Dimensional Drawing](#)
- [Wiring Diagram](#)
- [Combinations](#)
- [Noise Curve Data](#)
- [Installation Manual](#)



MULTI: RAS - 5M34G3AVG-E

- Supports Wi-Fi control.
- Best in class energy efficiency A++ / A++.
- Dyna Doctor port for easy service connection.
- Supports energy monitoring on compatible indoor units.
- New compact outdoor unit size for 2M10 and 2M14 models.



Hi - Res Image

Retail Price (interactive icons):



UK



ROI



CODE		100	
Performance			
Outdoor Unit		RAS-	5M34G3AVG-E
Indoor Units Connected		Min.-Max.	2-5
Capacity Code	2 x Indoor Connection	Min.-Max.	10-48
	3+ Indoor Connection	Min.-Max.	10-68
Nominal	Cooling Capacity	kW	10.0
	Heating Capacity	kW	12.0
	EER/COP	W/W	3.85 / 4.24
Cooling EN14825	Range Min. - Max.	kW	2.5 - 11.5
	Power Input	kW	2.60
	Pdesign	kW	10.0
	SEER/Energy Efficiency Class		7.2 / A++
	Seasonal Energy Consumption	kWh/a	573
Heating EN14825	Range Min. - Max.	kW	2.2 - 14.2
	Power Input	kW	2.80
	Pdesign	kW	6.8
	SCOP/Energy Efficiency Class		4.3 / A+
	Seasonal Energy Consumption	kWh/a	2213

Outdoor Data

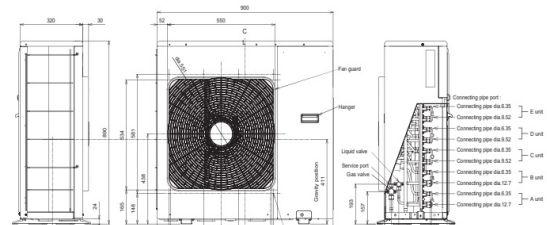
Operating Range	Cooling	°C	-10/46
	Heating		-20/24
Air Flow	High	m3/h - l/s	4400-1222
Sound	Pressure High/Low	dB(A)	56/47
	Power High	dB(A)	69
Unit	Height x Width x Depth	mm	890 x 900 x 320
	Weight	kg	78
Pipe Connection	Flare Connections (gas - liquid)	inch	3/8" x 3 + 1/2" x 2 - 1/4" x 5
	Min.-Max. Length	m	3-80
	Maximum Pipe Length Per Unit	m	25
	Maximum Height Difference	m	15
Refrigerant R410A	Drain Port Connection	mm	16
	Base Charge/Chargeless Length	m	2.39 / 40
	Additional Charge	g/m	20
Run Current	Maximum	Amps	12.99
Power Cable	Outdoor to Indoor		3 core + earth
Power Supply	Suggested Fuse Size	V/ph/Hz-A	220-240/1/50-20

RAS Indoor Model (B-Code)	Cooling	Heating	Seiya	Shorai Edge (B&W)	Haori	Daiseikai (9&10)	Console	Cassette	Ducted
05	1.5	2.0	✓	✗	✗	✗	✗	✗	✗
07	2.0	2.7	✓	✗	✗	✗	✗	✗	✓
10	2.7	4.0	✓	✓	✓	✓	✓	✓	✓
13	3.7	5.0	✓	✓	✓	✓	✓	✓	✓
16	4.5	5.5	✓	✓	✓	✓	✗	✓	✓
18	5.0	6.0	✓	✓	✗	✗	✓	✗	✗
22	6.0	7.0	✗	✓	✗	✗	✗	✗	✓
24	7.1	8.1	✓	✓	✗	✗	✗	✗	✓

*All [Accessories / Controls](#)

Related Items:

- [Full Specification](#)
- [Dimensional Drawing](#)
- [Wiring Diagram](#)
- [Combinations](#)
- [Noise Curve Data](#)
- [Installation Manual](#)



Multi Compact Cassette



COMPACT CASSETTE: RAS - M10U2MUVG-E

- Optional Occupancy sensor.
- Optional wired remote controller.
- Optional Wireless remote controller kit.
- Elegant and unobtrusive with modern design.
- Suited for 600x600 grid ceilings thanks to compact and thin chassis.



Retail Price (interactive icons):




UK



ROI



Hi - Res Image 

CODE		27	
Performance			
Indoor Unit		RAS-	M10U2MUVG-E
Capacity Code			10
Nominal	Cooling Capacity	kW	2.7
	Heating Capacity	kW	4.0
UK	Cooling Total/Sensible	kW	2.44/2.03
	Heating	kW	2.05
Cooling EN14825	Range Min. - Max.	kW	1.31 - 2.75
	Power Input	kW	0.023
Heating EN14825	Range Min. - Max.	kW	1.73 - 8.10
	Power Input	kW	0.023
Indoor Data			
Air Flow	High - Low	l/s	164 - 119
	High - Low	m3/h	590 - 430
Sound	Pressure High - Low	dB(A)	37 - 30
	Power High - Low	dB(A)	52 - 45
Unit	Height x Width x Depth	mm	256 x 575 x 575
	Weight	kg	15
Panel RBC-UM21PG(W)-E	Height x Width x Depth	mm	12 x 620 x 620
	Weight	kg	3
Pipe Connection	Flare Connections (gas - liquid)	inch	3/8 - 1/4
	Drain Pipe Connection OD/ID	mm	32/25

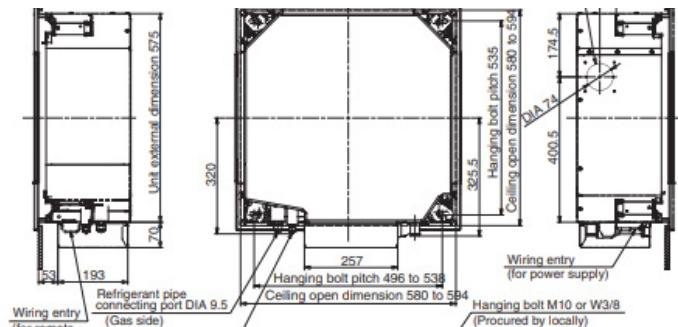
Accessories

RBC-AX32UM(W)-E	Wireless remote controller Kit
RB-RWS21-E	Wired Remote Controller
TCB-SIR41UM-E	Occupancy sensor

*All [Accessories / Controls](#)

Related Items:


- [BIM Files](#)
- [CAD Files](#)
- [Full Specification](#)
- [Dimensional Drawing](#)
- [Wiring Diagram](#)
- [Airflow/ Fan Curve](#)
- [Noise Curve Data](#)
- [Installation Manual](#)
- [Owners Manual](#)



COMPACT CASSETTE: RAS - M13U2MUVG-E

- Optional Occupancy sensor.
- Optional wired remote controller.
- Optional Wireless remote controller kit.
- Elegant and unobtrusive with modern design.
- Suited for 600x600 grid ceilings thanks to compact and thin chassis.



Hi - Res Image 

Retail Price (interactive icons):



UK



ROI



CODE			37
Performance			
Indoor Unit		RAS-	M13U2MUVG-E
Capacity Code			13
Nominal	Cooling Capacity	kW	3.7
	Heating Capacity	kW	5.0
UK	Cooling Total/Sensible	kW	3.42/2.74
	Heating	kW	2.61
Cooling EN14825	Range Min. - Max.	kW	1.71 - 3.70
	Power Input	kW	0.023
Heating EN14825	Range Min. - Max.	kW	2.07 - 5.00
	Power Input	kW	0.023

Indoor Data			
Air Flow	High - Low	l/s	172 - 119
	High - Low	m3/h	620 - 430
Sound	Pressure High - Low	dB(A)	38 - 30
	Power High - Low	dB(A)	53 - 45
Unit	Height x Width x Depth	mm	256 x 575 x 575
	Weight	kg	15
Panel RBC-UM21PG(W)-E	Height x Width x Depth	mm	12 x 620 x 620
	Weight	kg	3
Pipe Connection	Flare Connections (gas - liquid)	inch	3/8 - 1/4
	Drain Pipe Connection OD/ID	mm	32/25

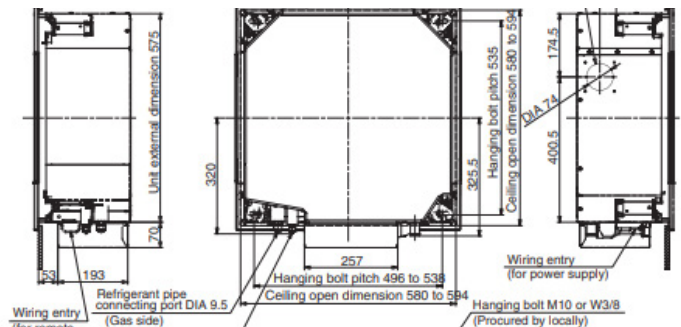
Accessories

RBC-AX32UM(W)-E	Wireless remote controller Kit
RB-RWS21-E	Wired Remote Controller
TCB-SIR41UM-E	Occupancy sensor

*All [Accessories / Controls](#)

Related Items:

- [BIM Files](#)
- [CAD Files](#)
- [Full Specification](#)
- [Dimensional Drawing](#)
- [Wiring Diagram](#)
- [Airflow/ Fan Curve](#)
- [Noise Curve Data](#)
- [Installation Manual](#)
- [Owners Manual](#)



COMPACT CASSETTE: RAS - M16U2MUVG-E

- Optional Occupancy sensor.
- Optional wired remote controller.
- Optional Wireless remote controller kit.
- Elegant and unobtrusive with modern design.
- Suited for 600x600 grid ceilings thanks to compact and thin chassis.



Retail Price (interactive icons):




UK



ROI



Hi - Res Image 

CODE			45
Performance			
Indoor Unit		RAS-	M16U2MUVG-E
Capacity Code			16
Nominal	Cooling Capacity	kW	4.5
	Heating Capacity	kW	5.5
UK	Cooling Total/Sensible	kW	4.49/3.56
	Heating	kW	3.53
Cooling EN14825	Range Min. - Max.	kW	2.13 - 4.50
	Power Input	kW	0.023
Heating EN14825	Range Min. - Max.	kW	2.33 - 5.50
	Power Input	kW	0.023
Indoor Data			
Air Flow	High - Low	l/s	189 - 125
	High - Low	m3/h	680 - 450
Sound	Pressure High - Low	dB(A)	40 - 31
	Power High - Low	dB(A)	55 - 46
Unit	Height x Width x Depth	mm	256 x 575 x 575
	Weight	kg	15
Panel RBC-UM21PG(W)-E	Height x Width x Depth	mm	12 x 620 x 620
	Weight	kg	3
Pipe Connection	Flare Connections (gas - liquid)	inch	1/2 - 1/4
	Drain Pipe Connection OD/ID	mm	32/25

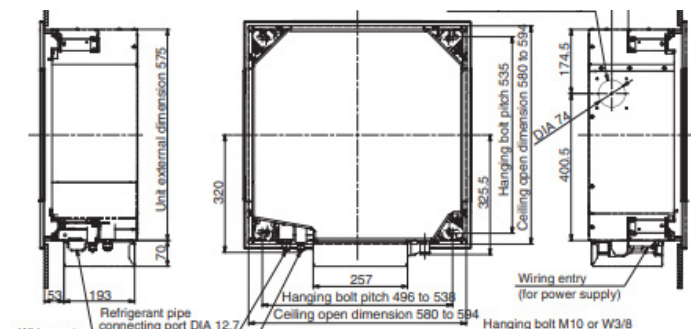
Accessories

RBC-AX32UM(W)-E	Wireless remote controller Kit
RB-RWS21-E	Wired Remote Controller
TCB-SIR41UM-E	Occupancy sensor

*All [Accessories / Controls](#)

Related Items:

- [BIM Files](#)
- [CAD Files](#)
- [Full Specification](#)
- [Dimensional Drawing](#)
- [Wiring Diagram](#)
- [Airflow/ Fan Curve](#)
- [Noise Curve Data](#)
- [Installation Manual](#)
- [Owners Manual](#)

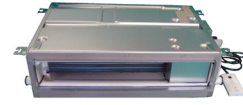


Multi Slim Ducted



DUCTED: RAS - M07U2DVG-E

- Slim design with only 210mm height.
- External static pressure from 10 to 45 Pa.
- Compatible with latest R32 Multi System.
- Inbuilt Condensate drain pump with lift up to 350mm.
- Compliant with European Ecodesign regulation - Lot10.



Retail Price (interactive icons):




UK



ROI



Hi - Res Image 

CODE		20	
Performance			
Indoor Unit		RAS-	M07U2DVG-E
Capacity Code			7
Nominal	Cooling Capacity	kW	2.0
	Heating Capacity	kW	2.7
UK	Cooling Total/Sensible	kW	1.95/1.57
	Heating	kW	1.60
Cooling EN14825	Range Min. - Max.	kW	1.01 - 2.03
	Power Input	kW	0.048
Heating EN14825	Range Min. - Max.	kW	1.23 - 2.95
	Power Input	kW	0.048
Indoor Data			
Air Flow	High - Low	l/s	158 - 106
	High - Low	m3/h	570 - 380
External Static Pressure	Standard (Upper - Lower)	Pa	10 (10 - 45)
Sound Pressure	High - Low	dB(A)	35 - 27
	High - Low (under inlet)	dB(A)	44 - 30
Sound Power	High - Low	dB(A)	50 - 42
	High - Low (under inlet)	dB(A)	59 - 45
Unit	Height x Width x Depth	mm	210 x 700 x 450
	Weight	kg	16
Pipe Connection	Flare Connections (gas - liquid)	inch	3/8 - 1/4
	Drain Pipe Connection OD/ID	mm	32/25
Remote Controller			WH-TA04NE

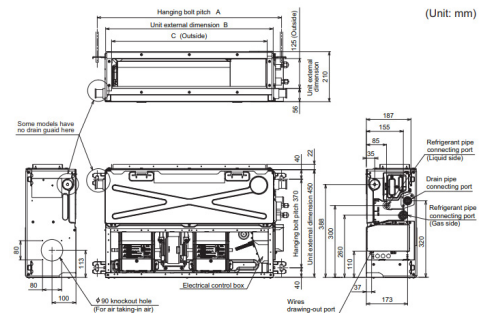
Accessories

[RB-RWS21-E](#) | Wired Remote Controller

*All [Accessories / Controls](#)

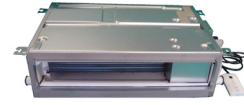
Related Items:

- [BIM Files](#)
- [CAD Files](#)
- [Full Specification](#)
- [Dimensional Drawing](#)
- [Wiring Diagram](#)
- [Airflow/ Fan Curve](#)
- [Noise Curve Data](#)
- [Installation Manual](#)
- [Owners Manual](#)



DUCTED: RAS - M10U2DVG-E

- Slim design with only 210mm height.
- External static pressure from 10 to 45 Pa.
- Compatible with latest R32 Multi System.
- Inbuilt Condensate drain pump with lift up to 350mm.
- Compliant with European Ecodesign regulation - Lot10.



Retail Price (interactive icons):




UK



ROI



Hi - Res Image 

CODE			27
Performance			
Indoor Unit		RAS-	M10U2DVG-E
Capacity Code			10
Nominal	Cooling Capacity	kW	2.7
	Heating Capacity	kW	4.0
UK	Cooling Total/Sensible	kW	2.44/1.93
	Heating	kW	2.03
Cooling EN14825	Range Min. - Max.	kW	1.31 - 2.75
	Power Input	kW	0.048
Heating EN14825	Range Min. - Max.	kW	1.73 - 8.10
	Power Input	kW	0.048
Indoor Data			
Air Flow	High - Low	l/s	158 - 106
	High - Low	m3/h	570 - 380
External Static Pressure	Standard (Upper - Lower)	Pa	10 (10 - 45)
Sound Pressure	High - Low	dB(A)	35 - 27
	High - Low (under inlet)	dB(A)	44 - 30
Sound Power	High - Low	dB(A)	50 - 42
	High - Low (under inlet)	dB(A)	59 - 45
Unit	Height x Width x Depth	mm	210 x 700 x 450
	Weight	kg	16
Pipe Connection	Flare Connections (gas - liquid)	inch	3/8 - 1/4
	Drain Pipe Connection OD/ID	mm	32/25
Remote Controller			WH-TA04NE

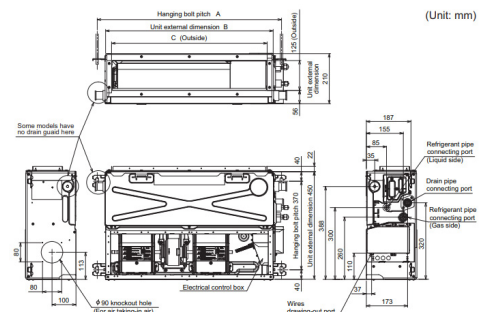
Accessories

[RB-RWS21-E](#) | Wired Remote Controller

*All [Accessories / Controls](#)

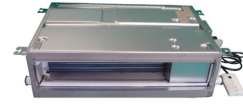
Related Items:

- [BIM Files](#)
- [CAD Files](#)
- [Full Specification](#)
- [Dimensional Drawing](#)
- [Wiring Diagram](#)
- [Airflow/ Fan Curve](#)
- [Noise Curve Data](#)
- [Installation Manual](#)
- [Owners Manual](#)



SLIM DUCTED: RAS - M13U2DVG-E

- Slim design with only 210mm height.
- External static pressure from 10 to 45 Pa.
- Compatible with latest R32 Multi System.
- Inbuilt Condensate drain pump with lift up to 350mm.
- Compliant with European Ecodesign regulation - Lot10.



Retail Price (interactive icons):




UK



ROI



Hi - Res Image 

CODE		37	
Performance			
Indoor Unit		RAS-	M13U2DVG-E
Capacity Code			13
Nominal	Cooling Capacity	kW	3.7
	Heating Capacity	kW	5.0
UK	Cooling Total/Sensible	kW	3.22/2.49
	Heating	kW	2.20
Cooling EN14825	Range Min. - Max.	kW	1.71 - 3.70
	Power Input	kW	0.054
Heating EN14825	Range Min. - Max.	kW	2.07 - 5.00
	Power Input	kW	0.054
Indoor Data			
Air Flow	High - Low	l/s	169 - 107
	High - Low	m3/h	610 - 385
External Static Pressure	Standard (Upper - Lower)	Pa	10 (10 - 45)
Sound Pressure	High - Low	dB(A)	37 - 27
	High - Low (under inlet)	dB(A)	46 - 30
Sound Power	High - Low	dB(A)	52 - 42
	High - Low (under inlet)	dB(A)	61 - 45
Unit	Height x Width x Depth	mm	210 x 700 x 450
	Weight	kg	16
Pipe Connection	Flare Connections (gas - liquid)	inch	3/8 - 1/4
	Drain Pipe Connection OD/ID	mm	32/25
Remote Controller			WH-TA04NE

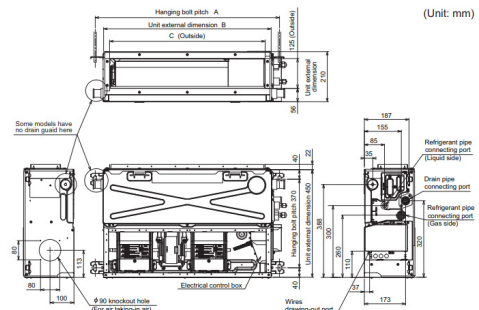
Accessories

[RB-RWS21-E](#) | Wired Remote Controller

*All [Accessories / Controls](#)

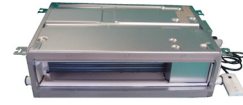
Related Items:

- [BIM Files](#)
- [CAD Files](#)
- [Full Specification](#)
- [Dimensional Drawing](#)
- [Wiring Diagram](#)
- [Airflow/ Fan Curve](#)
- [Noise Curve Data](#)
- [Installation Manual](#)
- [Owners Manual](#)



SLIM DUCTED: RAS - M22U2DVG-E

- Slim design with only 210mm height.
- External static pressure from 10 to 45 Pa.
- Compatible with latest R32 Multi System.
- Inbuilt Condensate drain pump with lift up to 350mm.
- Compliant with European Ecodesign regulation - Lot10.



Retail Price (interactive icons):




UK



ROI



Hi - Res Image 

CODE		60	
Performance			
Indoor Unit		RAS-	M22U2DVG-E
Capacity Code			22
Nominal	Cooling Capacity	kW	6.0
	Heating Capacity	kW	7.0
UK	Cooling Total/Sensible	kW	5.96/4.24
	Heating	kW	3.98
Cooling EN14825	Range Min. - Max.	kW	2.93 - 6.00
	Power Input	kW	0.069
Heating EN14825	Range Min. - Max.	kW	3.04 - 7.00
	Power Input	kW	0.069
Indoor Data			
Air Flow	High - Low	l/s	278 - 206
	High - Low	m3/h	1000 - 740
External Static Pressure	Standard (Upper - Lower)	Pa	10 (10 - 45)
Sound Pressure	High - Low	dB(A)	38 - 32
	High - Low (under inlet)	dB(A)	45 - 37
Sound Power	High - Low	dB(A)	53 - 47
	High - Low (under inlet)	dB(A)	60 - 52
Unit	Height x Width x Depth	mm	210 x 1100 x 450
	Weight	kg	22
Pipe Connection	Flare Connections (gas - liquid)	inch	1/2 - 1/4
	Drain Pipe Connection OD/ID	mm	32/25
Remote Controller			WH-TA04NE

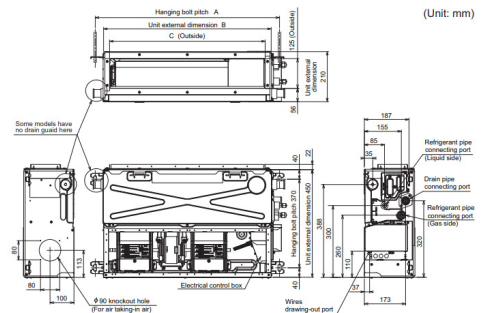
Accessories

[RB-RWS21-E](#) | Wired Remote Controller

*All [Accessories / Controls](#)

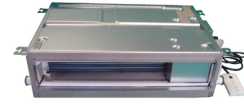
Related Items:

- [BIM Files](#)
- [CAD Files](#)
- [Full Specification](#)
- [Dimensional Drawing](#)
- [Wiring Diagram](#)
- [Airflow/ Fan Curve](#)
- [Noise Curve Data](#)
- [Installation Manual](#)
- [Owners Manual](#)



SLIM DUCTED: RAS - M24U2DVG-E

- Slim design with only 210mm height.
- External static pressure from 10 to 45 Pa.
- Compatible with latest R32 Multi System.
- Inbuilt Condensate drain pump with lift up to 350mm.
- Compliant with European Ecodesign regulation - Lot10.



Retail Price (interactive icons):




UK



ROI



Hi - Res Image 

CODE		71	
Performance			
Indoor Unit		RAS-	M24U2DVG-E
Capacity Code			24
Nominal	Cooling Capacity	kW	7.1
	Heating Capacity	kW	8.1
UK	Cooling Total/Sensible	kW	6.84/4.71
	Heating	kW	5.27
Cooling EN14825	Range Min. - Max.	kW	3.28 - 7.10
	Power Input	kW	0.076
Heating EN14825	Range Min. - Max.	kW	3.36 - 8.10
	Power Input	kW	0.076
Indoor Data			
Air Flow	High - Low	l/s	294 - 211
	High - Low	m3/h	1060 - 760
External Static Pressure	Standard (Upper - Lower)	Pa	10 (10 - 45)
Sound Pressure	High - Low	dB(A)	39 - 33
	High - Low (under inlet)	dB(A)	46 - 38
Sound Power	High - Low	dB(A)	54 - 48
	High - Low (under inlet)	dB(A)	61 - 53
Unit	Height x Width x Depth	mm	210 x 1100 x 450
	Weight	kg	22
Pipe Connection	Flare Connections (gas - liquid)	inch	1/2 - 1/4
	Drain Pipe Connection OD/ID	mm	32/25
Remote Controller			WH-TA04NE

Accessories

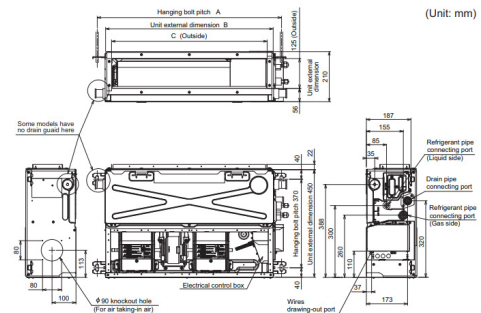
[RB-RWS21-E](#)

Wired Remote Controller

*All [Accessories / Controls](#)

Related Items:

- [BIM Files](#)
- [CAD Files](#)
- [Full Specification](#)
- [Dimensional Drawing](#)
- [Wiring Diagram](#)
- [Airflow/ Fan Curve](#)
- [Noise Curve Data](#)
- [Installation Manual](#)
- [Owners Manual](#)



RAS CONTROLS & ACCESSORIES



CONTROLS






	Image	Model Reference	Application	Description	Related Items
Controls & Sensors		RB-RXS31-E	Multi & Split System	Weekly-timer, IMS combination	Owners Manual
		RB-RXS33-E	Multi & Split System	Weekly-timer, IMS combination	Owners Manual
		RB-RXS34-E	Multi & Split System	Accessory Remote Controller for (SEIYA, SHORAI, CONSOLE, Daiseikai)	Owners Manual
		RB-AX32UM(W)-E	Multi-Cassette	Wireless Remote Controller Kit	Installation Manual
		TCB-SIR41UM-E	Multi-Cassette	Occupancy Sensor	Installation Manual


	Image	Model Reference	Application	Description	Related Items
Wired		RB-RWS21-E	Remote Controller	Hard wired remote controller RAS Ducted	Installation Manual



	Image	Model Reference	Application	Description	Related Items
Wi-Fi Interface		RB-N105S-G	Wi-Fi Connection	Wi-Fi adapter	Installation Manual
		RB-N106S-G		Wi-Fi adapter and cable	Installation Manual

	Image	Model Reference	Application	Description	Related Items
Interface		RBC-IT3-PE	Timer Interface	240v Timer interface for Daiseikai units	Contact Toshiba Technical

	Image	Model Reference	Application	Description	Related Items
Leak Detection		RB-1301-E	Refrigerant Sensor	R32 Refrigerant Leak detection sensor	Installation Manual

MISCELLANEOUS

	Image	Model Reference	Application	Description
Miscellaneous		818F0036	IAQ Filter (Pair)	RAS (Qty required Indoor width \leq 800mm x 1; Indoor > 800mm x 2)
		818F0050	Ultra pure filter (Pair)	RAS (Qty required Indoor width \leq 800mm x 1; Indoor > 800mm x 2)








	Image	Model Reference	Application	Description
Fabric Covers		RB-I4101-E	HAORI	Dark Grey
		RB-I4102-E		Light Grey
		RB-I4103-E		Bluish Grey
		RB-I4104-E		Grey Beige
		RB-I4105-E		Dark Brown
		RB-I4106-E		Emerald Blue

	Image	Model Reference	Application	Description
		CACC-SF	Timer Interface	Single Fan CDU Coil Anti-Corrosion Coating

ESTiA



ESTIA OUTDOOR 1PH: HWT - 401HW-E

- Available in single phase.
- Compact and lightweight chassis.
- Outstanding performance even in extreme conditions down to -25°C.
- New generation of Toshiba ESTIA Air-to-Water heat pump split system R32.
- Designed to deliver optimum temperature for space heating and domestic hot water.



Hi - Res Image

Retail Price (interactive icons):



UK



ROI



CODE					40
Performance					
Outdoor Unit			HWT-	401HW-E	
Hydro Indoor Unit			HWT-	601XWH**W-E	
	Air T°	Water T°			
Under Floor Heating	Nominal Heating Capacity	+7°C	35°C	kW	4.0
	Max Heating Capacity	+7°C	35°C	kW	7.25
	COP	+7°C	35°C	W/W	5.20
	Energy Efficiency Class - Low Temp Energy label		35°C		A+++
Seasonal Space Heating Energy Efficiency		35°C		SCOP/ns %	4.53/178
Radiators Heating & DHW	Max Heating Capacity	-7°C	35°C	kW	4.80
	Max Heating Capacity	+7°C	45°C	kW	6.97
	Max Heating Capacity	-7°C	45°C	kW	4.48
	Max Heating Capacity	+7°C	55°C	kW	6.51
	Max Heating Capacity	-7°C	55°C	kW	4.31
	Energy Efficiency Class - Low Temp Energy label		55°C		A++
	Seasonal Space Heating Energy Efficiency		55°C		SCOP/ns %
Operating Range	Space Heating Operation Outdoor		°C		-20 ~ 25
	Hot Water Operation Outdoor		°C		-20 ~ 43
	Hydro Heating Operation Indoor		°C		+20 ~ 55
Heating Condition	Input Power	35°C	7°C	kW	0.77
	Rated Water Flow	35°C	7°C	l/m	11.6
Sound	Sound Pressure Outdoor (Rated-Silent) @ 1m			dB(A)	46/41
	Sound Power Outdoor (Rated-Silent)			dB(A)	60/55
Unit	Height X Width X Depth			mm	630 x 800 x 300
	Weight			kg	42
Air Flow	Standard			l/s - m3/h	607 - 2184
Pipe Connection	Flare Connections (Gas - Liquid)			inch	1/2 - 1/4
	Drain Port Connection			mm	16
	Min.-Max. Length / Max Height Difference			m	5-30 / 30
	Refrigerant Charge Amount/Chargeless to - Additional Refrigerant Charge			kg/m	0.9/20 - 20
Electrical	Power Input Heating			kW	0.77
	Running Current Heating			Amps	4.08
	Maximum Running Current			Amps	14.6
	Suggested Outdoor Power Supply			V/ph/Hz/A	220-240/1/50/16
	Baseplate Tape heater			Watts	-
	Interconnection Cable to Hydro Indoor				2 core + earth
	Wiring Connection Power to Outdoor Unit				2 core + earth

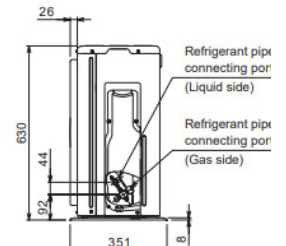
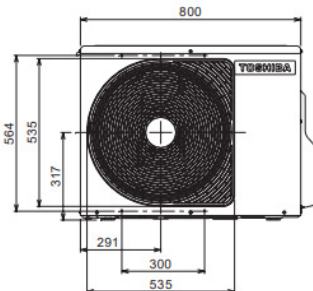
Accessories

TCB-PCIN3E	Error Output Control Board
TCB-PCM03E	External Input PCB

*All [Accessories / Controls](#)

Related Items:

- [BIM Files](#)
- [CAD Files](#)
- [Full Specification](#)
- [Dimensional Drawing](#)
- [Wiring Diagram](#)
- [Wiring Specifications](#)
- [Noise Curve Data](#)
- [Installation Manual](#)



ESTIA OUTDOOR 1PH: HWT 601HW-E

- Available in single phase.
- Compact and lightweight chassis.
- Outstanding performance even in extreme conditions down to -25°C.
- New generation of Toshiba ESTIA Air-to-Water heat pump split system R32.
- Designed to deliver optimum temperature for space heating and domestic hot water.



Hi - Res Image

Retail Price (interactive icons):



UK



ROI



CODE				60		
Performance						
Outdoor Unit				HWT-	601HW-E	
Hydro Indoor Unit		Air T°	Water T°	HWT-	601XWH**W-E	
Under Floor Heating	Nominal Heating Capacity	+7°C	35°C	kW	6.0	
	Max Heating Capacity	+7°C	35°C	kW	7.25	
	COP	+7°C	35°C	W/W	4.80	
	Energy Efficiency Class - Low Temp Energy label		35°C		A+++	
Radiators Heating & DHW	Seasonal Space Heating Energy Efficiency		35°C		SCOP/ns %	
	Max Heating Capacity	-7°C	35°C	kW	6.06	
	Max Heating Capacity	+7°C	45°C	kW	6.97	
	Max Heating Capacity	-7°C	45°C	kW	5.80	
	Max Heating Capacity	+7°C	55°C	kW	7.53	
	Max Heating Capacity	-7°C	55°C	kW	5.42	
	Energy Efficiency Class - Low Temp Energy label		55°C		A++	
	Seasonal Space Heating Energy Efficiency		55°C		SCOP/ns %	
Operating Range	Space Heating Operation Outdoor		°C		-20 ~ 25	
	Hot Water Operation Outdoor		°C		-20 ~ 43	
	Hydro Heating Operation Indoor		°C		+20 ~ 55	
Heating Condition	Input Power	35°C	7°C	kW	1.25	
	Rated Water Flow	35°C	7°C	l/m	17.3	
Sound	Sound Pressure Outdoor (Rated-Silent) @ 1m			dB(A)	46/42	
	Sound Power Outdoor (Rated-Silent)			dB(A)	62/58	
Unit	Height X Width X Depth			mm	630 x 800 x 300	
	Weight			kg	42	
Air Flow	Standard			l/s - m3/h	607 - 2184	
Pipe Connection	Flare Connections (Gas - Liquid)			inch	1/2 - 1/4	
	Drain Port Connection			mm	16	
	Min.-Max. Length / Max Height Difference			m	5-30 / 30	
	Refrigerant Charge Amount/Chargeless to - Additional Refrigerant Charge			kg/m	0.9/20 - 20	
Electrical	Power Input Heating			kW	1.25	
	Running Current Heating			Amps	5.78	
	Maximum Running Current			Amps	14.6	
	Suggested Outdoor Power Supply			V/ph/Hz/A	220-240/1/50/16	
	Baseplate Tape heater			Watts	-	
	Interconnection Cable to Hydro Indoor			2 core + earth		
	Wiring Connection Power to Outdoor Unit			2 core + earth		

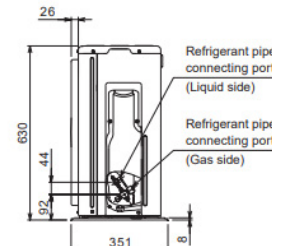
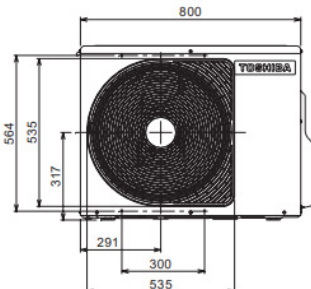
Accessories

TCB-PCIN3E	Error Output Control Board
TCB-PCM03E	External Input PCB

*All [Accessories / Controls](#)

Related Items:

- [BIM Files](#)
- [CAD Files](#)
- [Full Specification](#)
- [Dimensional Drawing](#)
- [Wiring Diagram](#)
- [Wiring Specifications](#)
- [Noise Curve Data](#)
- [Installation Manual](#)



ESTIA OUTDOOR 1PH: HWT 801H(R)W-E

- Available in single phase.
- Compact and lightweight chassis.
- Outstanding performance even in extreme conditions down to -25°C.
- New generation of Toshiba ESTIA Air-to-Water heat pump split system R32.
- Designed to deliver optimum temperature for space heating and domestic hot water.



Hi - Res Image

Retail Price (interactive icons):



UK



ROI



CODE				80	80	
Performance						
Outdoor Unit				HWT-	801HW-E	
Hydro Indoor Unit				HWT-	1101XWH**W-E	
	Air T°	Water T°				
Under Floor Heating	Nominal Heating Capacity	+7°C	35°C	kW	8.0	
	Max Heating Capacity	+7°C	35°C	kW	11.90	
	COP	+7°C	35°C	W/W	5.19	
	Energy Efficiency Class - Low Temp Energy label			35°C		A+++
Seasonal Space Heating Energy Efficiency			35°C	SCOP/ns %	4.63/182	
Radiators Heating & DHW	Max Heating Capacity	-7°C	35°C	kW	8.11	
	Max Heating Capacity	+7°C	45°C	kW	11.75	
	Max Heating Capacity	-7°C	45°C	kW	8.00	
	Max Heating Capacity	+7°C	55°C	kW	9.96	
	Max Heating Capacity	-7°C	55°C	kW	7.35	
	Energy Efficiency Class - Low Temp Energy label			55°C		A++
	Seasonal Space Heating Energy Efficiency			55°C	SCOP/ns %	3.63/142
	Space Heating Operation Outdoor			°C	-25 ~ 25	-25 ~ 25
Operating Range	Hot Water Operation Outdoor			°C	-25 ~ 43	
	Hydro Heating Operation Indoor			°C	+20 ~ 65	
	Heating Condition					
Heating Condition	Input Power	35°C	7°C	kW	1.54	
	Rated Water Flow	35°C	7°C	l/m	23.1	
Sound	Sound Pressure Outdoor (Rated-Silent) @ 1m			dB(A)	51/47	
	Sound Power Outdoor (Rated-Silent)			dB(A)	63/59	
Unit	Height X Width X Depth			mm	1050 x 1010 x 370	
	Weight			kg	75	
Air Flow	Standard			l/s - m3/h	873 - 3144	
	Flare Connections (Gas - Liquid)			inch	5/8 - 1/4	
Pipe Connection	Drain Port Connection			mm	16	
	Min.-Max. Length / Max Height Difference			m	5-30 / 30	
	Refrigerant Charge Amount/Chargeless to - Additional Refrigerant Charge			kg/m	1.25/8 - 25	
	Power Input Heating			kW	1.54	
Electrical	Running Current Heating			Amps	7.05	
	Maximum Running Current			Amps	20.3	
	Suggested Outdoor Power Supply			V/ph/Hz/A	220-240/1/50/25	
	Baseplate Tape heater			Watts	150	
	Interconnection Cable to Hydro Indoor				2 core + earth	
	Wiring Connection Power to Outdoor Unit				2 core + earth	

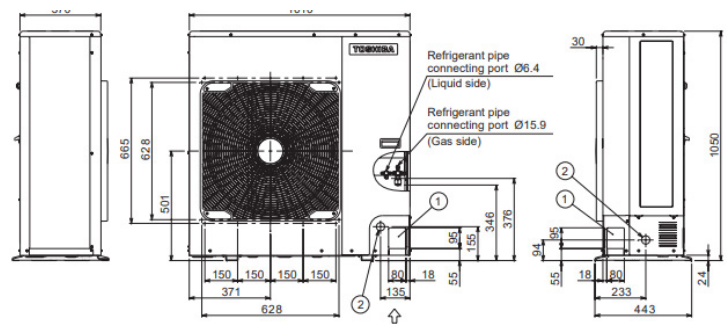
Accessories

TCB-PCIN3E	Error Output Control Board
TCB-PCM03E	External Input PCB

*All [Accessories / Controls](#)

Related Items:

- [BIM Files](#)
- [CAD Files](#)
- [Full Specification](#)
- [Dimensional Drawing](#)
- [Wiring Diagram](#)
- [Wiring Specifications](#)
- [Noise Curve Data](#)
- [Installation Manual](#)



ESTIA OUTDOOR 1PH: HWT 1101H(R)W-E

- Available in single phase.
- Compact and lightweight chassis.
- Outstanding performance even in extreme conditions down to -25°C.
- New generation of Toshiba ESTIA Air-to-Water heat pump split system R32.
- Designed to deliver optimum temperature for space heating and domestic hot water.



Hi - Res Image

Retail Price (interactive icons):



UK



ROI



CODE				110	110	
Performance						
Outdoor Unit						
Hydro Indoor Unit				HWT-	1101HW-E	1101HRW-E
				HWT-	1101XWH**W-E	1101XWH**W-E
Under Floor Heating	Nominal Heating Capacity	+7°C	35°C	kW	11.0	11.0
	Max Heating Capacity	+7°C	35°C	kW	13.24	13.24
	COP	+7°C	35°C	W/W	4.60	4.60
	Energy Efficiency Class - Low Temp Energy label				A+++	A+++
	Seasonal Space Heating Energy Efficiency			35°C	SCOP/ns %	4.55/179
Radiators Heating & DHW	Max Heating Capacity	-7°C	35°C	kW	9.10	9.10
	Max Heating Capacity	+7°C	45°C	kW	12.41	12.41
	Max Heating Capacity	-7°C	45°C	kW	8.44	8.44
	Max Heating Capacity	+7°C	55°C	kW	10.17	10.17
	Max Heating Capacity	-7°C	55°C	kW	7.72	7.72
	Energy Efficiency Class - Low Temp Energy label			55°C	A++	A++
	Seasonal Space Heating Energy Efficiency			55°C	SCOP/ns %	3.62/142
Operating Range	Space Heating Operation Outdoor			°C	-25 ~ 25	-25 ~ 25
	Hot Water Operation Outdoor			°C	-25 ~ 43	-25 ~ 43
	Hydro Heating Operation Indoor			°C	+20 ~ 65	+20 ~ 65
Heating Condition	Input Power	35°C	7°C	kW	2.39	2.39
	Rated Water Flow	35°C	7°C	l/m	32.1	32.1
Sound	Sound Pressure Outdoor (Rated-Silent) @ 1m			dB(A)	51/47	51/47
	Sound Power Outdoor (Rated-Silent)			dB(A)	64/62	64/62
Unit	Height X Width X Depth			mm	1050 x 1010 x 370	1050 x 1010 x 370
	Weight			kg	75	75
Air Flow	Standard			l/s - m3/h	973 - 3504	973 - 3504
	Flare Connections (Gas - Liquid)			inch	5/8 - 1/4	5/8 - 1/4
Pipe Connection	Drain Port Connection			mm	16	16
	Min.-Max. Length / Max Height Difference			m	5-30 / 30	5-30 / 30
	Refrigerant Charge Amount/Chargeless to - Additional Refrigerant Charge			kg/m	1.25/8 - 25	1.25/8 - 25
	Power Input Heating			kW	2.39	2.39
Electrical	Running Current Heating			Amps	10.60	10.60
	Maximum Running Current			Amps	20.3	20.3
	Suggested Outdoor Power Supply			V/ph/Hz/A	220-240/1/50/25	220-240/1/50/25
	Baseplate Tape heater			Watts	-	150
	Interconnection Cable to Hydro Indoor				2 core + earth	2 core + earth
	Wiring Connection Power to Outdoor Unit				2 core + earth	2 core + earth

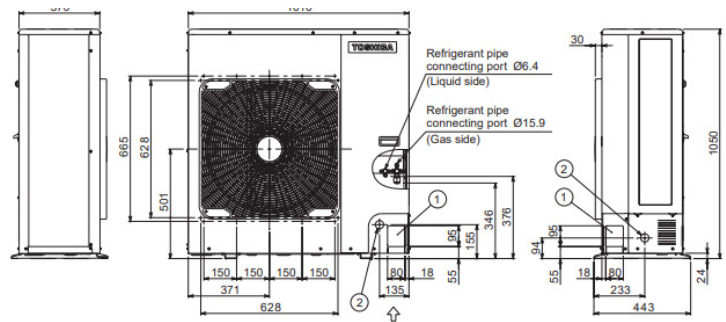
Accessories

TCB-PCIN3E	Error Output Control Board
TCB-PCM03E	External Input PCB

*All [Accessories / Controls](#)

Related Items:

- [BIM Files](#)
- [CAD Files](#)
- [Full Specification](#)
- [Dimensional Drawing](#)
- [Wiring Diagram](#)
- [Wiring Specifications](#)
- [Noise Curve Data](#)
- [Installation Manual](#)



ESTIA OUTDOOR 1PH: HWT 1401H(R)W-E

- Available in single phase.
- Compact and lightweight chassis.
- Outstanding performance even in extreme conditions down to -25°C.
- New generation of Toshiba ESTIA Air-to-Water heat pump split system R32.
- Designed to deliver optimum temperature for space heating and domestic hot water.



Hi - Res Image

Retail Price (interactive icons):



UK



ROI



CODE				140		140		
Performance								
Outdoor Unit				HWT-	1401HW-E	1401HW-E		
Hydro Indoor Unit				HWT-	1401XWH**W-E	1401XWH**W-E		
	Air T°	Water T°						
Under Floor Heating	Nominal Heating Capacity	+7°C	35°C	kW	14.0	14.0		
	Max Heating Capacity	+7°C	35°C	kW	18.39	18.39		
	COP	+7°C	35°C	W/W	4.60	4.60		
	Energy Efficiency Class - Low Temp Energy label		35°C			A+++	A+++	
	Seasonal Space Heating Energy Efficiency		35°C		SCOP/ns %	4.65/183	4.65/183	
Radiators Heating & DHW	Max Heating Capacity	-7°C	35°C	kW	13.05	13.05		
	Max Heating Capacity	+7°C	45°C	kW	16.30	16.30		
	Max Heating Capacity	-7°C	45°C	kW	11.94	11.94		
	Max Heating Capacity	+7°C	55°C	kW	14.31	14.31		
	Max Heating Capacity	-7°C	55°C	kW	10.50	10.50		
	Energy Efficiency Class - Low Temp Energy label		55°C			A+++	A+++	
	Seasonal Space Heating Energy Efficiency		55°C		SCOP/ns %	3.53/138	3.53/138	
Operating Range	Space Heating Operation Outdoor			°C	-25 ~ 25	-25 ~ 25		
	Hot Water Operation Outdoor			°C	-25 ~ 43	-25 ~ 43		
	Hydro Heating Operation Indoor			°C	+20 ~ 65	+20 ~ 65		
Heating Condition	Input Power	35°C	7°C	kW	3.00	3.00		
	Rated Water Flow	35°C	7°C	l/m	40.5	40.5		
Sound	Sound Pressure Outdoor (Rated-Silent) @ 1m			dB(A)	59/51	59/51		
	Sound Power Outdoor (Rated-Silent)			dB(A)	70/63	70/63		
Unit	Height X Width X Depth			mm	1050 x 1010 x 370	1050 x 1010 x 370		
	Weight			kg	88	88		
Air Flow	Standard			l/s - m3/h				
Pipe Connection	Flare Connections (Gas - Liquid)			inch	5/8 - 1/4	5/8 - 1/4		
	Drain Port Connection			mm	16	16		
	Min.-Max. Length / Max Height Difference			m	5-25 / 25	5-25 / 25		
	Refrigerant Charge Amount/Chargeless to - Additional Refrigerant Charge			kg/m	1.4/8 - 25	1.4/8 - 25		
Electrical	Power Input Heating			kW	3	3		
	Running Current Heating			Amps	14.20	14.20		
	Maximum Running Current			Amps	28.8	28.8		
	Suggested Outdoor Power Supply			V/ph/Hz/A	220-240/1/50/32	220-240/1/50/32		
	Baseplate Tape heater			Watts	-	-		
	Interconnection Cable to Hydro Indoor				2 core + earth	2 core + earth		
Wiring Connection Power to Outdoor Unit				2 core + earth	2 core + earth			

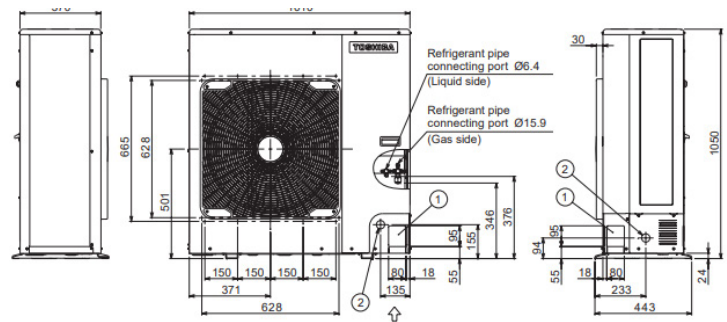
Accessories

TCB-PCIN3E	Error Output Control Board
TCB-PCM03E	External Input PCB

*All [Accessories / Controls](#)

Related Items:

- [BIM Files](#)
- [CAD Files](#)
- [Full Specification](#)
- [Dimensional Drawing](#)
- [Wiring Diagram](#)
- [Wiring Specifications](#)
- [Noise Curve Data](#)
- [Installation Manual](#)



ESTIA OUTDOOR 3PH: HWT 801H8W-E

- Available in single phase.
- Compact and lightweight chassis.
- Outstanding performance even in extreme conditions down to -25°C.
- New generation of Toshiba ESTIA Air-to-Water heat pump split system R32.
- Designed to deliver optimum temperature for space heating and domestic hot water.



Hi - Res Image

Retail Price (interactive icons):



UK



ROI



CODE				80	80	
Performance						
Outdoor Unit				HWT-	801H8W-E	
Hydro Indoor Unit				HWT-	1101XWH**W-E	
	Air T°	Water T°				
Under Floor Heating	Nominal Heating Capacity	+7°C	35°C	kW	8.0	
	Max Heating Capacity	+7°C	35°C	kW	12.27	
	COP	+7°C	35°C	W/W	5.06	
	Energy Efficiency Class - Low Temp Energy label			35°C		A+++
	Seasonal Space Heating Energy Efficiency			35°C	SCOP/ns %	4.51/177
Radiators Heating & DHW	Max Heating Capacity	-7°C	35°C	kW	8.23	
	Max Heating Capacity	+7°C	45°C	kW	12.02	
	Max Heating Capacity	-7°C	45°C	kW	8.12	
	Max Heating Capacity	+7°C	55°C	kW	11.70	
	Max Heating Capacity	-7°C	55°C	kW	8.00	
	Energy Efficiency Class - Low Temp Energy label			55°C		A++
	Seasonal Space Heating Energy Efficiency			55°C	SCOP/ns %	3.36/132
Operating Range	Space Heating Operation Outdoor			°C	-25~-25	
	Hot Water Operation Outdoor			°C	-25~-43	
	Hydro Heating Operation Indoor			°C	+20 ~ 65	
Heating Condition	Input Power	35°C	7°C	kW	1.55	
	Rated Water Flow	35°C	7°C	l/m	23.0	
Sound	Sound Pressure Outdoor (Rated-Silent) @ 1m			dB(A)	50/49	
	Sound Power Outdoor (Rated-Silent)			dB(A)	63/61	
Unit	Height X Width X Depth			mm	1050 x 1010 x 370	
	Weight			kg	92	
Air Flow	Standard			l/s - m3/h		
Pipe Connection	Flare Connections (Gas - Liquid)			inch	5/8 - 1/4	
	Drain Port Connection			mm	16	
	Min.-Max. Length / Max Height Difference			m	5-25 / 25	
	Refrigerant Charge Amount/Chargeless to - Additional Refrigerant Charge			kg/m	1.3/8 - 25	
Electrical	Power Input Heating			kW	1.55	
	Running Current Heating			Amps	2.50	
	Maximum Running Current			Amps	13	
	Suggested Outdoor Power Supply			V/ph/Hz/A	380-415/3N/50/25	
	Baseplate Tape heater			Watts	150	
	Interconnection Cable to Hydro Indoor				2 core + earth	
	Wiring Connection Power to Outdoor Unit				4 core + earth	

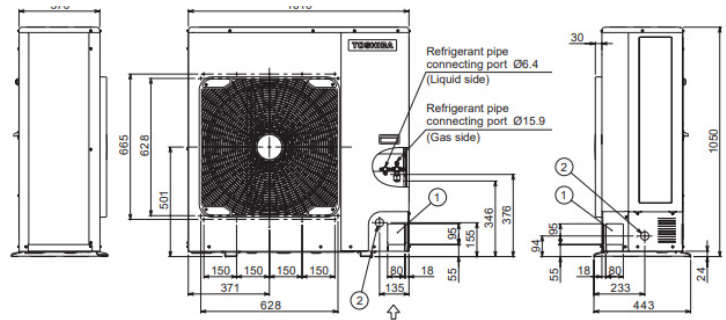
Accessories

TCB-PCIN3E	Error Output Control Board
TCB-PCM03E	External Input PCB

*All [Accessories / Controls](#)

Related Items:

- [BIM Files](#)
- [CAD Files](#)
- [Full Specification](#)
- [Dimensional Drawing](#)
- [Wiring Diagram](#)
- [Wiring Specifications](#)
- [Noise Curve Data](#)
- [Installation Manual](#)



ESTIA OUTDOOR 3PH: HWT 1101H8(R)W-E

- Available in single phase.
- Compact and lightweight chassis.
- Outstanding performance even in extreme conditions down to -25°C.
- New generation of Toshiba ESTIA Air-to-Water heat pump split system R32.
- Designed to deliver optimum temperature for space heating and domestic hot water.



Hi - Res Image

Retail Price (interactive icons):



UK



ROI



CODE				110	110	
Performance						
Outdoor Unit				HWT-	1101H8W-E	
Hydro Indoor Unit				HWT-	1101XWH**W-E	
	Air T°	Water T°				
Under Floor Heating	Nominal Heating Capacity	+7°C	35°C	kW	11.0	
	Max Heating Capacity	+7°C	35°C	kW	15.50	
	COP	+7°C	35°C	W/W	4.74	
	Energy Efficiency Class - Low Temp Energy label			35°C		A+++
	Seasonal Space Heating Energy Efficiency			35°C	SCOP/ns %	4.56/179
Radiators Heating & DHW	Max Heating Capacity	-7°C	35°C	kW	10.49	
	Max Heating Capacity	+7°C	45°C	kW	15.24	
	Max Heating Capacity	-7°C	45°C	kW	10.33	
	Max Heating Capacity	+7°C	55°C	kW	14.97	
	Max Heating Capacity	-7°C	55°C	kW	10.17	
	Energy Efficiency Class - Low Temp Energy label			55°C		A++
	Seasonal Space Heating Energy Efficiency			55°C	SCOP/ns %	3.52/138
	Operating Range	Space Heating Operation Outdoor			°C	-25~-25
Hot Water Operation Outdoor			°C	-25~43		
Hydro Heating Operation Indoor			°C	+20 ~ 65		
Heating Condition	Input Power	35°C	7°C	kW	2.3	
	Rated Water Flow	35°C	7°C	l/m	32.1	
Sound	Sound Pressure Outdoor (Rated-Silent) @ 1m			dB(A)	58/49	
	Sound Power Outdoor (Rated-Silent)			dB(A)	70/61	
Unit	Height X Width X Depth			mm	1050 x 1010 x 370	
	Weight			kg	92	
Air Flow	Standard			l/s - m3/h		
Pipe Connection	Flare Connections (Gas - Liquid)			inch	5/8 - 1/4	
	Drain Port Connection			mm	16	
	Min.-Max. Length / Max Height Difference			m	5-25 / 25	
	Refrigerant Charge Amount/Chargeless to - Additional Refrigerant Charge			kg/m	1.3/8 - 25	
	Power Input Heating			kW	2.3	
Electrical	Running Current Heating			Amps	3.63	
	Maximum Running Current			Amps	13	
	Suggested Outdoor Power Supply			V/ph/Hz/A	380-415/3N/50/25	
	Baseplate Tape heater			Watts	150	
	Interconnection Cable to Hydro Indoor				2 core + earth	
	Wiring Connection Power to Outdoor Unit				4 core + earth	

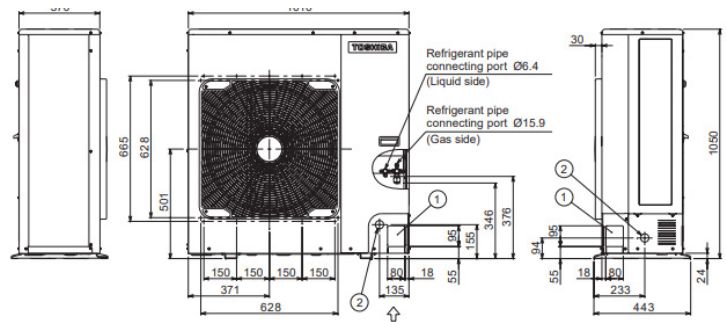
Accessories

TCB-PCIN3E	Error Output Control Board
TCB-PCM03E	External Input PCB

*All [Accessories / Controls](#)

Related Items:

- [BIM Files](#)
- [CAD Files](#)
- [Full Specification](#)
- [Dimensional Drawing](#)
- [Wiring Diagram](#)
- [Wiring Specifications](#)
- [Noise Curve Data](#)
- [Installation Manual](#)



ESTIA OUTDOOR 3PH: HWT 1401H8(R)W-E

- Available in single phase.
- Compact and lightweight chassis.
- Outstanding performance even in extreme conditions down to -25°C.
- New generation of Toshiba ESTIA Air-to-Water heat pump split system R32.
- Designed to deliver optimum temperature for space heating and domestic hot water.



Hi - Res Image

Retail Price (interactive icons):



UK



ROI



CODE				140	140
Performance					
Outdoor Unit					
Hydro Indoor Unit		Air T°	Water T°	HWT- HWT-	1401H8W-E 1401XWH**W-E
Under Floor Heating	Nominal Heating Capacity	+7°C	35°C	kW	14.0
	Max Heating Capacity	+7°C	35°C	kW	18.39
	COP	+7°C	35°C	W/W	4.60
	Energy Efficiency Class - Low Temp Energy label		35°C		A+++
Seasonal Space Heating Energy Efficiency		35°C		SCOP/ns %	4.57/183
Radiators Heating & DHW	Max Heating Capacity	-7°C	35°C	kW	13.05
	Max Heating Capacity	+7°C	45°C	kW	17.89
	Max Heating Capacity	-7°C	45°C	kW	12.81
	Max Heating Capacity	+7°C	55°C	kW	11.56
	Max Heating Capacity	-7°C	55°C	kW	9.80
	Energy Efficiency Class - Low Temp Energy label		55°C		A++
Seasonal Space Heating Energy Efficiency		55°C		SCOP/ns %	3.55/138
Operating Range	Space Heating Operation Outdoor			°C	-25~25
	Hot Water Operation Outdoor			°C	-25~43
	Hydro Heating Operation Indoor			°C	+20 ~ 65
Heating Condition	Input Power	35°C	7°C	kW	3.04
	Rated Water Flow	35°C	7°C	l/m	40.5
Sound	Sound Pressure Outdoor (Rated-Silent) @ 1m			dB(A)	59/50
	Sound Power Outdoor (Rated-Silent)			dB(A)	70/62
Unit	Height X Width X Depth			mm	1050 x 1010 x 370
	Weight			kg	92
Air Flow	Standard			l/s - m3/h	
Pipe Connection	Flare Connections (Gas - Liquid)			inch	5/8 - 1/4
	Drain Port Connection			mm	16
	Min.-Max. Length / Max Height Difference			m	5-25 / 25
	Refrigerant Charge Amount/Chargeless to - Additional Refrigerant Charge			kg/m	1.4/8 25
Electrical	Power Input Heating			kW	3.04
	Running Current Heating			Amps	4.60
	Maximum Running Current			Amps	13
	Suggested Outdoor Power Supply			V/ph/Hz/A	380-415/3N/50/25
	Baseplate Tape heater			Watts	150
	Interconnection Cable to Hydro Indoor				2 core + earth
	Wiring Connection Power to Outdoor Unit				4 core + earth

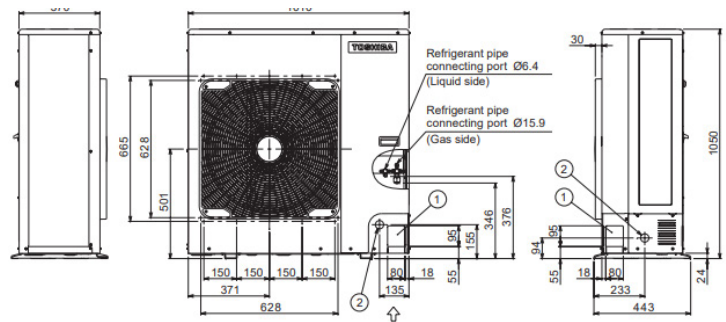
Accessories

TCB-PCIN3E	Error Output Control Board
TCB-PCM03E	External Input PCB

*All [Accessories / Controls](#)

Related Items:


- [BIM Files](#)
- [CAD Files](#)
- [Full Specification](#)
- [Dimensional Drawing](#)
- [Wiring Diagram](#)
- [Wiring Specifications](#)
- [Noise Curve Data](#)
- [Installation Manual](#)



ESTIA HYDRO UNIT: HWT - 601XWHM*W-E

- Ideal for new constructions and renovation.
- Remote Controller with Expanded Function.
- Smart Grid Ready with energy labels of A+++.
- ESTIA R32 wall mounted Hydro unit with space efficient design.
- Optimise flow rate control with flow sensor and variable flow pump.



Hi - Res Image 

Retail Price (interactive icons):



UK



ROI



Performance

Hydro Unit		HWT-	601XWHM3W-E	601XWHM6W-E
Heat Exchanger	Type		Brazed plate	Brazed plate
	Operation Temperature Range Heating	°C	20~55	20~55
Water	Operation Temperature Range Cooling	°C	7~25	7~25
	Piping Maximum Length	m	none	none
	Piping Maximum Height Difference	m	±7	±7
	Piping Maximum Working Pressure	kPa	430	430
	Heat Exchanger Volume	litres	0.67	0.67
	Heat Exchanger Minimum Flow Rate	l/m	10	10
	Circulating Pump	Type		Centrifugal
Maximum Motor Output		Watts	60	60
Flow Rate		l/m	11.6~17.3	11.6~17.3
Delivery Head		m	7.5	7.5
Expansion Vessel Volume		litres	8	8
Expansion Vessel Initial Pressure		mPa - Bar	0.1 - 1	0.1 - 1
Pressure Relief Valve Operating Pressure		mPa - Bar	0.43 - 4.3	0.43 - 4.3
Sound	Pressure Level	dB(A)	29	29
	Sound Power Hydro	dB(A)	40	40
Pipe Connection	Water Pipe Outlet/Inlet	mm	R1	R1
	Refrigerant Piping (gas - liquid)	inch	1/2 - 1/4	1/2 - 1/4
	Drain Port Hose Inner Diameter	mm	16	16
Unit	Height x Width x Depth	mm	720 x 450 x 235	720 x 450 x 235
	Weight	kg	27	27
	Back Up Heater Power Supply	V/ph/Hz	220~240-1-50	220~240-1-50
	Back Up Heater Power/Maximum Current	kW/Amps	3.0/13	6.0/13 x 2
	Remote Controller Standard Model *3		HWS-AMSU51-E	HWS-AMSU51-E
	Interconnection Cable to Outdoor Indoor		2 core + earth	2 core + earth
	Wiring Connection Power to Hydro Unit		2 core + earth	2 core + earth
	Suggested Fused Supply Hydro Unit	Amps	16	16

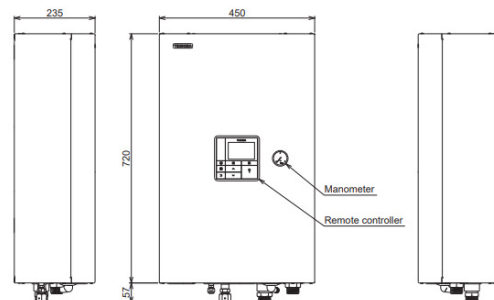
Accessories

HWS-AMSU51-E	2nd Remote Controller - Full control including service functions with fully-programmable 7-day timer
HWS-IWF0010UP-E	WiFi Interface - Remote mounted adapter for Toshiba Home AC Control for Estia
HWS-IFAIP01U-E	0-10V Interface - External control (max. 3 inputs) for Estia

*All [Accessories / Controls](#)

Related Items - 601XWHM*W-E


- [BIM Files](#)
- [CAD Files](#)
- [Full Specification](#)
- [Dimensional Drawing](#)
- [Wiring Diagram](#)
- [Piping Diagram](#)
- [Installation Manual](#)
- [Owners Manual](#)



ESTIA HYDRO UNIT: HWT - 1101XWHM*W-E

- Ideal for new constructions and renovation.
- Remote Controller with Expanded Function.
- Smart Grid Ready with energy labels of A+++.
- ESTIA R32 wall mounted Hydro unit with space efficient design.
- Optimise flow rate control with flow sensor and variable flow pump.



Hi - Res Image 

Retail Price (interactive icons):



Performance

Hydro Unit		HWT-	1101XWHM3W-E	1101XWHM6W-E
Heat Exchanger	Type		Brazed plate	Brazed plate
	Operation Temperature Range Heating	°C	20~65	20~65
Water	Operation Temperature Range Cooling	°C	7~25	7~25
	Piping Maximum Length	m	none	none
	Piping Maximum Height Difference	m	±7	±7
	Piping Maximum Working Pressure	kPa	430	430
	Heat Exchanger Volume	litres	0.67	0.67
	Heat Exchanger Minimum Flow Rate	l/m	13	13
	Circulating Pump	Type		Centrifugal
Maximum Motor Output		Watts	60	60
Flow Rate		l/m	23.1~31.8	23.1~31.8
Delivery Head		m	7.5	7.5
Expansion Vessel Volume		litres	8	8
Expansion Vessel Initial Pressure		mPa - Bar	0.1 - 1	0.1 - 1
Pressure Relief Valve Operating Pressure		mPa - Bar	0.43 - 4.3	0.43 - 4.3
Sound	Pressure Level	dB(A)	29	29
	Sound Power Hydro	dB(A)	40	40
Pipe Connection	Water Pipe Outlet/Inlet	mm	R1	R1
	Refrigerant Piping (gas - liquid)	inch	5/8 - 1/4	5/8 - 1/4
	Drain Port Hose Inner Diameter	mm	16	16
Unit	Height x Width x Depth	mm	720 x 450 x 235	720 x 450 x 235
	Weight	kg	27	27
	Back Up Heater Power Supply	V/ph/Hz	220~240-1-50	220~240-1-50
	Back Up Heater Power/Maximum Current	kW/Amps	3.0/13	6.0/13 x 2
	Remote Controller Standard Model *3		HWS-AMSU51-E	HWS-AMSU51-E
	Interconnection Cable to Outdoor Indoor		2 core + earth	2 core + earth
	Wiring Connection Power to Hydro Unit		2 core + earth	2 core + earth
	Suggested Fused Supply Hydro Unit	Amps	16	16

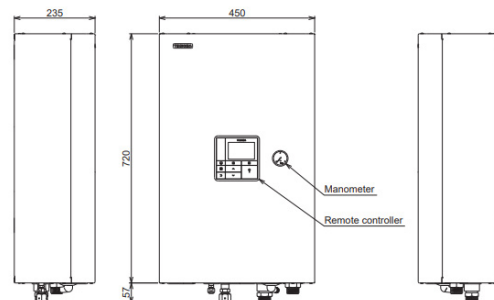
Accessories

HWS-AMSU51-E	2nd Remote Controller - Full control including service functions with fully-programmable 7-day timer
HWS-IWF0010UP-E	WiFi Interface - Remote mounted adapter for Toshiba Home AC Control for Estia
HWS-IFAIP01U-E	0-10V Interface - External control (max. 3 inputs) for Estia

*All [Accessories / Controls](#)

Related Items - 1101XWHM*W-E:


- [BIM Files](#)
- [CAD Files](#)
- [Full Specification](#)
- [Dimensional Drawing](#)
- [Wiring Diagram](#)
- [Piping Diagram](#)
- [Installation Manual](#)
- [Owners Manual](#)



ESTIA HYDRO UNIT: HWT - 1401XWHM*W-E

- Ideal for new constructions and renovation.
- Remote Controller with Expanded Function.
- Smart Grid Ready with energy labels of A+++.
- ESTIA R32 wall mounted Hydro unit with space efficient design.
- Optimise flow rate control with flow sensor and variable flow pump.



Hi - Res Image 

Retail Price (interactive icons):



Performance				
Hydro Unit		HWT-	1401XWHM3W-E	1401XWHM6W-E
Heat Exchanger	Type		Brazed plate	Brazed plate
	Operation Temperature Range Heating	°C	20~65	20~65
Water	Operation Temperature Range Cooling	°C	7~25	7~25
	Piping Maximum Length	m	none	none
	Piping Maximum Height Difference	m	±7	±7
	Piping Maximum Working Pressure	kPa	430	430
	Heat Exchanger Volume	litres	0.67	0.67
	Heat Exchanger Minimum Flow Rate	l/m	13	13
	Circulating Pump	Type		Centrifugal
Maximum Motor Output		Watts	60	60
Flow Rate		l/m	23.1~31.8	23.1~31.8
Delivery Head		m	7.5	7.5
Expansion Vessel Volume		litres	8	8
Expansion Vessel Initial Pressure		mPa - Bar	0.1 - 1	0.1 - 1
Pressure Relief Valve Operating Pressure		mPa - Bar	0.43 - 4.3	0.43 - 4.3
Sound	Pressure Level	dB(A)	29	29
	Sound Power Hydro	dB(A)	40	40
Pipe Connection	Water Pipe Outlet/Inlet	mm	R1	R1
	Refrigerant Piping (gas - liquid)	inch	5/8 - 1/4	5/8 - 1/4
	Drain Port Hose Inner Diameter	mm	16	16
Unit	Height x Width x Depth	mm	720 x 450 x 235	720 x 450 x 235
	Weight	kg	27	27
	Back Up Heater Power Supply	V/ph/Hz	220~240-1-50	220~240-1-50
	Back Up Heater Power/Maximum Current	kW/Amps	3.0/13	6.0/13 x 2
	Remote Controller Standard Model *3		HWS-AMSU51-E	HWS-AMSU51-E
	Interconnection Cable to Outdoor Indoor		2 core + earth	2 core + earth
	Wiring Connection Power to Hydro Unit		2 core + earth	2 core + earth
	Suggested Fused Supply Hydro Unit	Amps	16	16

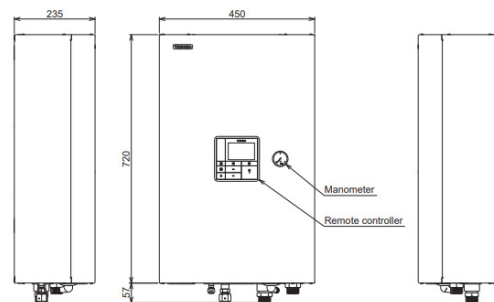
Accessories

HWS-AMSU51-E	2nd Remote Controller - Full control including service functions with fully-programmable 7-day timer
HWS-IWF0010UP-E	WiFi Interface - Remote mounted adapter for Toshiba Home AC Control for Estia
HWS-IFAIP01U-E	0-10V Interface - External control (max. 3 inputs) for Estia

*All [Accessories / Controls](#)

Related Items - 1401XWHM*W-E:


- [BIM Files](#)
- [CAD Files](#)
- [Full Specification](#)
- [Dimensional Drawing](#)
- [Wiring Diagram](#)
- [Piping Diagram](#)
- [Installation Manual](#)
- [Owners Manual](#)



ESTIA DOMESTIC HOT WATER TANK: HWS - 1501CSHM3-UK

- Compact Stainless steel tanks.
- Available in 150, 210 and 300L capacity.
- In-Built immersion heater for all models (2.75kW).
- Pre-placed Toshiba sensors for optimized efficiency.
- Compatible with all ESTIA hydro units and the perfect DHW solution.



Hi - Res Image 

Retail Price (interactive icons):



UK



ROI



Performance		HWS-	1501CSHM3-UK
Domestic Hot Water Tank			
Water	Volume	litres	150
	Maximum Temperature	°C	75
Operating Range	Standing Heat Loss	kWh/day	1.45
	Maximum Water Supply Pressure To PRV	mPa - bar	1.6 - 16.0
	Operating Pressure Of Unit	mPa - bar	0.35 - 3.5
	Expansion Vessel Charge Pressure	mPa - bar	0.35 - 3.5
	Expansion Valve Setting	mPa - bar	0.6 - 6.0
	Max. Primary Working Pressure	mPa - bar	0.3 - 3.0
	Opening Temperature of T&P Relief Valve	°C	90
	Opening Pressure of T&P Relief Valve	mPa - bar	1.0 - 10
Unit	Material		Stainless steel
	Nominal Storage Capacity Of Units	litres - kg	150 - 181
	Insulation		Polyurethane foam
	Height - Diameter	mm	1090 - 550
Electrical	Weight Net	kg	31
	Heater	kW	2.75
	Power Supply	V/ph/Hz	220-240/1/50
	Suggested Fused Supply	Amps	16

Outdoor Unit (1ph)		40/601HW-E	80/1101H(R)W-E	1401H(R)W-E
Indoor Unit		Wall Mounted Hydro		
Model	HWS-	1501CSHM3-E	1501CSHM3-E	1501CSHM3-E
capacity	litres	150	150	150
Climate		Average	Average	Average
Load profile		L	L	L
nwh	%	120	106	112
COPdhw	kW/kW	2.83	2.53	2.65
DHW Energy Efficiency Class		A+	A	A

Outdoor Unit (3ph)		80/1101H8(R)W-E	1401H8(R)W-E
Indoor Unit		Wall Mounted Hydro	
Model	HWS-	1501CSHM3-E	1501CSHM3-E
capacity	litres	150	150
Climate		Average	Average
Load profile		L	L
nwh	%	104	112
COPdhw	kW/kW	2.59	2.65
Energy Class		A	A

*All [Accessories / Controls](#)

Related Items:


- [Cad Files](#)
- [Full Specification](#)
- [Dimensional Drawing](#)
- [Wiring Diagram](#)
- [Piping Diagram](#)
- [Installation Manual](#)



ESTIA DOMESTIC HOT WATER TANK: HWS - 12101CSHM3-UK

- Compact Stainless steel tanks.
- Available in 150, 210 and 300L capacity.
- In-Built immersion heater for all models (2.75kW).
- Pre-placed Toshiba sensors for optimized efficiency.
- Compatible with all ESTIA hydro units and the perfect DHW solution.



Hi - Res Image 

Retail Price (interactive icons):



UK



ROI



Performance

Domestic Hot Water Tank		HWS-	2101CSHM3-UK
Water	Volume	litres	210
	Maximum Temperature	°C	75
Operating Range	Standing Heat Loss	kWh/day	1.91
	Maximum Water Supply Pressure To PRV	mPa - bar	1.6 - 16.0
	Operating Pressure Of Unit	mPa - bar	0.35 - 3.5
	Expansion Vessel Charge Pressure	mPa - bar	0.35 - 3.5
	Expansion Valve Setting	mPa - bar	0.6 - 6.0
	Max. Primary Working Pressure	mPa - bar	0.3 - 3.0
	Opening Temperature of T&P Relief Valve	°C	90
	Opening Pressure of T&P Relief Valve	mPa - bar	1.0 - 10
Unit	Material		Stainless steel
	Nominal Storage Capacity Of Units	litres - kg	210 - 251
	Insulation		Polyurethane foam
	Height - Diameter	mm	1474 - 550
Electrical	Weight Net	kg	41
	Heater	kW	2.75
	Power Supply	V/ph/Hz	220-240/1/50
	Suggested Fused Supply	Amps	16

Outdoor Unit (1ph)		40/601HW-E	80/1101H(R)W-E	1401H(R)W-E
Indoor Unit		Wall Mounted Hydro		
Model	HWS-	2101CSHM3-E	2101CSHM3-E	2101CSHM3-E
capacity	litres	210	210	210
Climate		Average	Average	Average
Load profile		L	XL	XL
nwh	%	115	118	107
COPdhw	kW/kW	2.72	2.83	2.6
DHW Energy Efficiency Class		A+	A	A

Outdoor Unit (3ph)		80/1101H8(R)W-E	1401H8(R)W-E
Indoor Unit		Wall Mounted Hydro	
Model	HWS-	2101CSHM3-E	2101CSHM3-E
capacity	litres	210	210
Climate		Average	Average
Load profile		L	XL
nwh	%	113	107
COPdhw	kW/kW	2.75	2.6
Energy Class		A	A

*All [Accessories / Controls](#)

Related Items:


- [Cad Files](#)
- [Full Specification](#)
- [Dimensional Drawing](#)
- [Wiring Diagram](#)
- [Piping Diagram](#)
- [Installation Manual](#)



ESTIA DOMESTIC HOT WATER TANK: HWS - 3001CSHM3-UK

- Compact Stainless steel tanks.
- Available in 150, 210 and 300L capacity.
- In-Built immersion heater for all models (2.75kW).
- Pre-placed Toshiba sensors for optimized efficiency.
- Compatible with all ESTIA hydro units and the perfect DHW solution.



Hi - Res Image 

Retail Price (interactive icons):



UK



ROI



Performance		HWS-	3001CSHM3-UK
Domestic Hot Water Tank			
Water	Volume	litres	300
	Maximum Temperature	°C	75
Operating Range	Standing Heat Loss	kWh/day	2.52
	Maximum Water Supply Pressure To PRV	mPa - bar	1.6 - 16.0
	Operating Pressure Of Unit	mPa - bar	0.35 - 3.5
	Expansion Vessel Charge Pressure	mPa - bar	0.35 - 3.5
	Expansion Valve Setting	mPa - bar	0.6 - 6.0
	Max. Primary Working Pressure	mPa - bar	0.3 - 3.0
	Opening Temperature of T&P Relief Valve	°C	90
	Opening Pressure of T&P Relief Valve	mPa - bar	1.0 - 10
Unit	Material		Stainless steel
	Nominal Storage Capacity Of Units	litres - kg	300 - 360
	Insulation		Polyurethane foam
	Height - Diameter	mm	2040 - 550
Electrical	Weight Net	kg	60
	Heater	kW	2.75
	Power Supply	V/ph/Hz	220-240/1/50
	Suggested Fused Supply	Amps	16

Outdoor Unit (1ph)		40/601HW-E	80/1101H(R)W-E	1401H(R)W-E
Indoor Unit		Wall Mounted Hydro		
Model	HWS-	3001CSHM3-E	3001CSHM3-E	3001CSHM3-E
capacity	litres	300	300	300
Climate		Average	Average	Average
Load profile		XL	XL	XL
nwh	%	122	113	106
COPdhw	kW/kW	2.93	2.71	2.54
DHW Energy Efficiency Class		A	A	A

Outdoor Unit (3ph)		80/1101H8(R)W-E	1401H8(R)W-E
Indoor Unit		Wall Mounted Hydro	
Model	HWS-	3001CSHM3-E	3001CSHM3-E
capacity	litres	300	300
Climate		Average	Average
Load profile		XL	XL
nwh	%	110	106
COPdhw	kW/kW	2.66	2.54
Energy Class		A	A

*All [Accessories / Controls](#)

Related Items:

- [Cad Files](#)
- [Full Specification](#)
- [Dimensional Drawing](#)
- [Wiring Diagram](#)
- [Piping Diagram](#)
- [Installation Manual](#)



ESTIA CONTROLS & ACCESSORIES



CONTROLS



	Image	Model Reference	Application	Description	Related Items
Wired Controls		HWS-AMS54E	Wired Remote	Estia Standard Remote Controller	Installation Manual
		HWS-AMSU51-E		Optional 2nd Remote Controller	Installation Manual




	Image	Model Reference	Application	Description	Related Items
Indoor Interface		HWS-IFAIP01U-E	0-10V	Connection interface	Installation Manual
		HWS-IWF0010UP-E	WI-FI	Connection interface	Owners Manual

	Image	Model Reference	Application	Description	Related Items
Outdoor Interface		TCB-PCIN3E	Output	Error Control Board	Contact Toshiba Technical
		TCB-PCMO3E	Input	Control PCB	Installation Manual

DOWNLOAD BROCHURES



Office Locations



Viridus Energy Ltd Office Locations

Viridus Energy Ltd
Unit 6 Oak Close
Western Business Park
Dublin 12
D12 XE63
Tel: 0871389769
www.Viridusenergy.ie
sales@viridusenergy.ie

Toshiba Office Locations

Leatherhead
Toshiba Air Conditioning
Elite House
Guildford Road
Leatherhead
Surrey
KT22 9UT

Tel: 0330 236 8630
marketing.uk@toshiba-ac.com

Manchester
Toshiba Air Conditioning
Unit 15 S:Park Business Park
Hamilton Road
Stockport
Greater Manchester
SK1 2AE

Tel: 0330 236 8630
orders@toshiba-ac.com

Plymouth
Toshiba Air Conditioning
Porsham Close
Belliver Industrial Estate
Plymouth
Devon
PL6 7DB

Tel: 0330 236 8630
sales.support@toshiba-ac.com