

Domestic Gas Boilers



EVOLVE C ■

VISION C ■

COMPACT A ■

EVOLVE S ■

VISION S ■

MYNUTE 20 VHE ■

BeSMART CONTROL ■

Welcome home to warmth and comfort...



When you choose a Vokèra gas boiler for your heating system, you're investing in a supremely reliable and high quality appliance that will make any home an even better place to be.

Why choose Vokèra by Riello?

Vokèra boilers have provided warmth to more than 1.5 million homes across the UK and Ireland. With 35 years' experience designing and building boilers and systems to heat homes and small commercial premises, we are very proud of our unblemished product quality record. Reliability statistics show that our boilers are some of the best-performing in the industry. That's why we confidently offer a comprehensive warranty as standard on every boiler.

The best choice

In our range of modern, high performance boilers, there's one to suit the home perfectly. We offer combination (combi) boilers that provide hot water and heating, as well as boilers for central heating only and water heaters. They all feature the latest innovations, for outstanding efficiency and reliability.

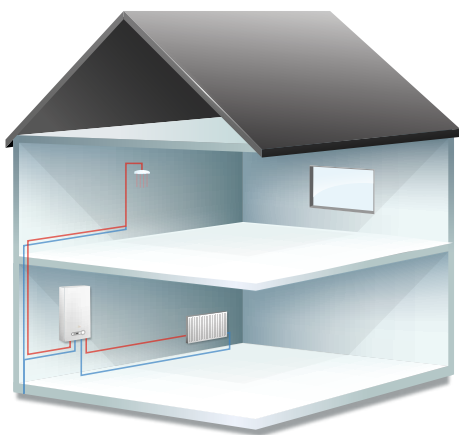
Vokèra boilers come in a range of sizes and capacities with different flue options, so they fit in neatly and provide optimum heating for living spaces.

We harness smart technology to make it easier and cheaper to heat the home now and into the future. Our BeSMART intelligent control means you can cut bills and take control. It responds to the way you live so you heat your home and water at the times when you need it and don't waste energy when you're not around.



Welcome home to warmth and comfort	02
Boiler types – what is the best solution for me?	04
Our heritage of heating expertise	06
Pioneering technology	07
Intelligent controls	08
evolve C	10
Vision C	12
Compact A	14
evolve S	16
Vision S	18
Mynute 20 VHE	20
Choosing the right control – intelligent, energy saving controls and thermostats	22
Choosing the right control – OpenTherm and programmable room thermostats	24
Boiler Plus - what installers need to know	25
Vokèra support – Nationwide technical training	26

Boiler types – what is the best solution for me?



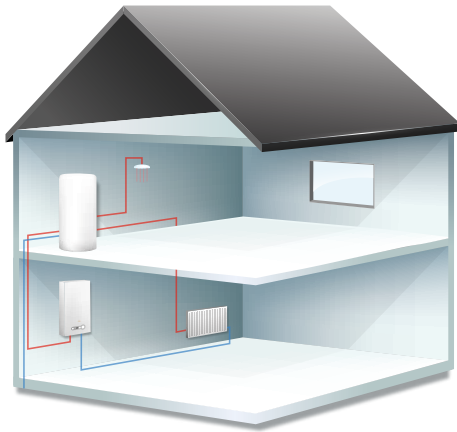
Combi boilers

A combi (combination) boiler provides heat for central heating and domestic hot water on demand. No need for feed and expansion tanks in the loft space or hot water storage cylinder, so a combi boiler saves space. Domestic hot water is fed from the mains supply, which maintains high water pressure, and is heated instantly.

If you live in a low water pressure area, or have several bathrooms, a combi boiler may not be suitable.

A combi boiler is the best option if you want to:

- Replace an existing combi boiler and are happy with the performance it provides
- Use the loft space or airing cupboard for another purpose and want to remove the tanks and hot water storage cylinder
- Have instant hot water on demand
- Save space



System boilers

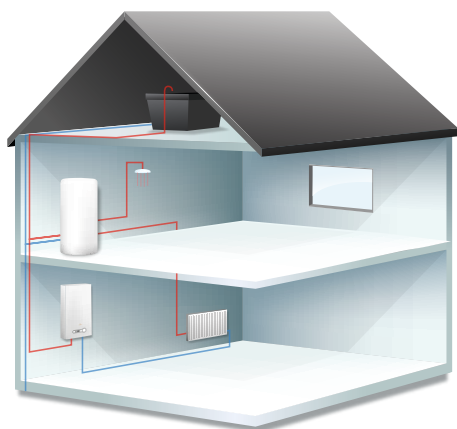
A system boiler is installed as part of a sealed central heating system. It's not open to atmospheric pressure because the system is kept within a closed circuit.

The system boiler connects to a storage cylinder that provides the domestic hot water. As the heating system is sealed it requires no tank in the loft space. When coupled with a mains pressure hot water storage cylinder (known as an unvented cylinder), it is well suited to properties with several bathrooms. In this configuration, good flow rates can be maintained when using more than one domestic hot water outlet at the same time.

System boilers are compatible with solar thermal. If you already have a system boiler, it can be straightforward to add a solar thermal system to it using a twin coil unvented cylinder.

A system boiler is the best option if you want to:

- Replace an existing system boiler and are happy with the performance your system boiler provides
- Provide hot water to be used by more than one bathroom at once using an unvented cylinder
- Reduced system pipework
- Remove feed and expansion tanks for your current boiler that are in your loft space



Open vent boilers

Open vent means that the heating system is open to atmospheric pressure, with feed and expansion tanks in your loft space. An open vent boiler (also called a conventional or regular boiler) heats your radiators and, via a storage cylinder, the domestic hot water. If you currently have an open vent boiler, making a direct replacement can be a good and straightforward option, unless your property or lifestyle has changed.

Open vent boilers are also compatible with solar thermal. If currently there is an open vent boiler, it can be straightforward to add a solar thermal system.

An open vent boiler is the best option if:

- You want to replace an existing open vent boiler and are happy with its performance
- You have more than one bathroom
- Your mains water pressure is low

Our heritage of heating expertise...

Vokèra by Riello is an industry leader in quality home heating solutions.

RIELLO

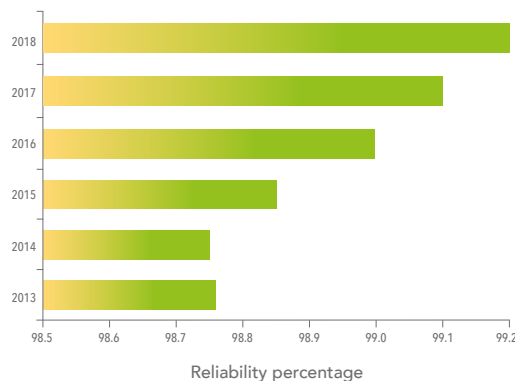
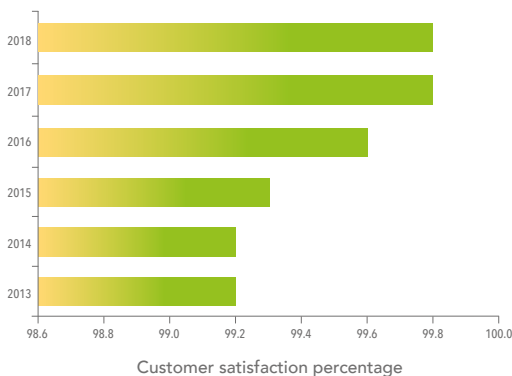
We've been producing boilers for over 30 years. We operate a research and manufacturing base in Northern Italy, where we design and thoroughly test every boiler. Our parent company, Riello, has been making burners for nearly a century. Together, we're a powerful and knowledgeable team, backed by Riello's long experience and reputation for technological innovation in combustion technology and heating.

Trusted service and support

Vokèra products are designed to be straight forward and easy for installers to fit. That means it's as simple and quick as possible for a connected, efficient Vokèra boiler to make the home a cosier place straight away.

Our customer care team is at the end of a phone if you need any advice or help once the boiler is fitted. Installers have access to full technical support to make sure they have all the information they need.

If the boiler needs a service or repair, we have a team of Vokèra engineers as well as an approved agent support network working throughout the UK and Ireland. Our expert engineers achieve a 95% first time fix rate. That's why we consistently achieve a 99% customer satisfaction score.



Pioneering technology...



evolve boiler

High efficiency

Vokera high efficiency condensing boilers are some of the most energy efficient appliances on the market today. Our boilers dramatically reduce wasted heat, saving money and helping protect the environment. They all meet and exceed the relevant standards for the UK and Ireland. Many boilers can be fitted with extra energy-saving controls for even greater efficiency and savings.

Energy labelling explained

Your boiler and heating system will have an energy efficiency rating, determined by the Energy-related Products Directive (ErP). Your installer will label your system to show how it's rated. Ratings range from A to G and are colour coded from green to red. A is the most efficient. You may have seen these energy labels on other domestic appliances, such as washing machines.



How ErP affects homeowners and installers

If your installer fits a complete system, you'll get one energy rating and package label for the whole system. Your installer works out the overall efficiency based on all the components working together. We help installers work out the right energy rating for complete Vokera systems, so they can give you the correct label. Find out more or get help with this online at www.vokera.co.uk/erp/.

When just one component is being installed, such as a replacement boiler, the boiler will have its own individual energy efficiency label, provided by Vokera.

An A+ space heating package can be easily achieved with the Vokera **evolve** and BeSMART Internet connected thermostat.



Intelligent controls



OpenTherm is a simple way to use sophisticated technology to maintain the most comfortable and stable temperature whilst optimising energy consumption and make extra savings on heating bills. Our programmable OpenTherm controls are designed to be easy to use and display information clearly. They're compatible with all Vokèra boilers and systems and the installation process is straightforward.

So the central heating can react to the weather, an external sensor can be added to most systems. Weather compensating technology also helps save money as well as keeping a home at the perfect temperature, day in, day out.

BeSMART – for smarter home heating



Our BeSMART Internet enabled control goes an intelligent step further and lets you control your heating wherever you are, including from a mobile phone app. BeSMART reacts automatically and intelligently to current conditions and gives you ultimate flexibility and efficiency, with different comfort settings depending on your different daily needs.

High efficiency domestic boiler range



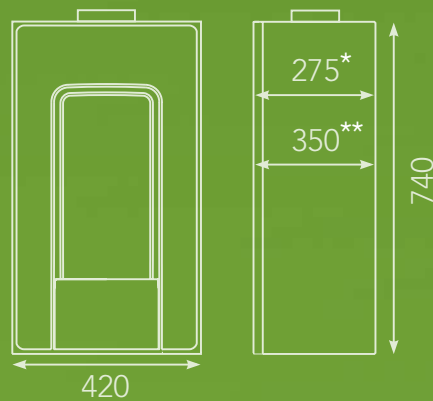
evolve C

High efficiency combi boiler

Dimensions (mm)

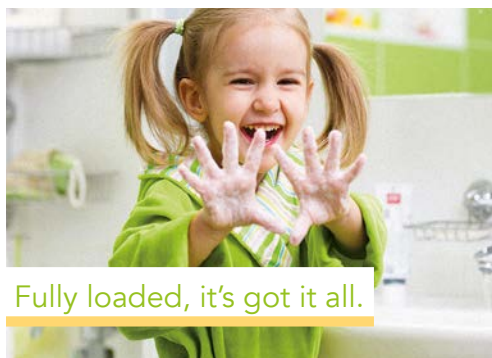
* Depth for models 24C & 28C

** Depth for models 32C, 36C & 42C



The evolve C has high specification, efficiency and comfort.

We've taken everything we have ever learned about design, performance and servicing and combined all that knowledge into one superior, cutting-edge boiler range. A feature rich, state-of-the-art boiler range that will enrich the lives of homeowners and engineers alike by providing warmth, comfort, efficiency and long-term performance, coupled with ease of installation. It all adds up to our best boiler range to date.



Fully loaded, it's got it all.



- Fully compliant with the Energy-related Products Directive. Further efficiency can be achieved when installed with a weather compensation sensor or OpenTherm control such as BeSMART.
- ACC (Active Combustion Control) reduces emissions by adapting the air/gas mix according to the gas quality.
- Built-in Carbon Monoxide (CO) monitor for enhanced safety - the evolve will shut down in the event of excess CO being detected.
- Efficiency indicator with on screen display of "High" or "Optimal" efficiency.
- NG/LPG compatible out-of-the-box, with no additional kit required.
- 10 year parts and labour warranty.⁽¹⁾
- DHW flow rate of up to 17.2 l/min results in quick delivery of hot water and meets NHBC performance requirements for combi boilers in properties with multiple bathrooms.
- Compact dimensions enable the boiler to be sited almost anywhere in the home, including within a kitchen cupboard.⁽²⁾
- Text driven menu for easy set up and adjustment.
- DHW Flow meter enables flow rate monitoring via the display and BeSMART.
- Exceptional modulation ratio of 1:7 maximises efficiency and comfort for end user.
- Designed for easy installation. A pre-fixing jig and built-in filling loop allows the system to be connected and tested without the boiler needing to be in place.
- The easy to use appliance interface and controls permits the end user to view, change and adjust the operating modes of the boiler.
- Versatile flue options with concentric flue lengths up to 11m.
- Direct rear flue option, reduces overall installation footprint.
- Built-in frost protection, protects the appliance from damage during periods of cold weather.
- Simple commissioning; only minimal adjustments are required after installation and automatic modulation eliminates the need to range rate the boiler.
- Anti-seize function protects the pump and motorised valve from sticking during long periods of inactivity.
- Self-start programming protects the pump and motorised valve from sticking during long periods of inactivity.
- Enhanced Autostop disabling function with four optional modes of operation, including: service reminder, reducing the output of the boiler, supply DHW only and moving the boiler into standby mode (no heat or DHW).⁽³⁾

⁽¹⁾ Subject to registration and annual service. ⁽²⁾ Cupboard fit applies to 24C & 28C. ⁽³⁾ Autostop activation device required. ⁽⁴⁾ Contact Vokera Technical Support for advice.



SPECIFICATIONS	24C	28C	32C	36C	42C
PRODUCT ORDER CODE	20119408	20119409	20131015	20131016	20131017
CENTRAL HEATING					
HEAT INPUT (kW)	18	24	30	32	35
MAXIMUM HEAT OUTPUT 80/60°C (kW)	17.6	23.5	29.4	31.4	34.3
MAXIMUM HEAT OUTPUT 50/30°C (kW)	19.2	25.6	31.8	34.1	37.2
DOMESTIC HOT WATER					
HEAT INPUT (kW)	26	30	34.6	36.0	42
FLOW RATE - 35°C RISE (L/MIN)	10.7	12.3	14.2	14.7	17.2
DIMENSIONS					
HEIGHT (MM)	740				
WIDTH (MM)	420				
DEPTH (MM)	275		350		
WEIGHT					
DRY WEIGHT (KG)	35	36	38	39	39
CONNECTIONS					
FLOW & RETURN	22MM				
GAS	15MM				
DHW INLET & OUTLET	15MM				
SAFETY VALVE	15MM				
ELECTRICAL					
VOLTAGE (V/HZ)	230/50				
FLUE DETAILS (CONCENTRIC)					
MAXIMUM HORIZONTAL FLUE LENGTH 60/100MM	10M		8M	6M	5M
MAXIMUM VERTICAL FLUE LENGTH 60/100MM	11M		9M	7M	6M
EFFICIENCY					
ErP SEASONAL SPACE HEATING ENERGY EFFICIENCY (CLASS/%)	A/94				
ErP WATER HEATING EFFICIENCY (CLASS/%) (PROFILE)	A/87 (XL)	A/87 (XL)	A/85 (XXL)	A/86 (XXL)	A/85 (XXL)
COMPARATIVE DHW EFFICIENCY (SAP) (%)	77				
NO _x CLASS	6				

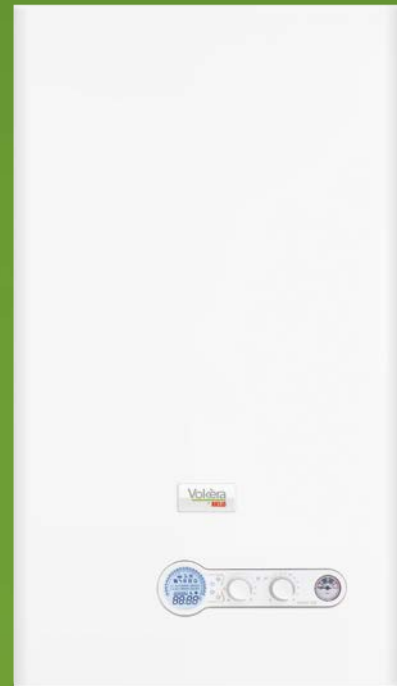
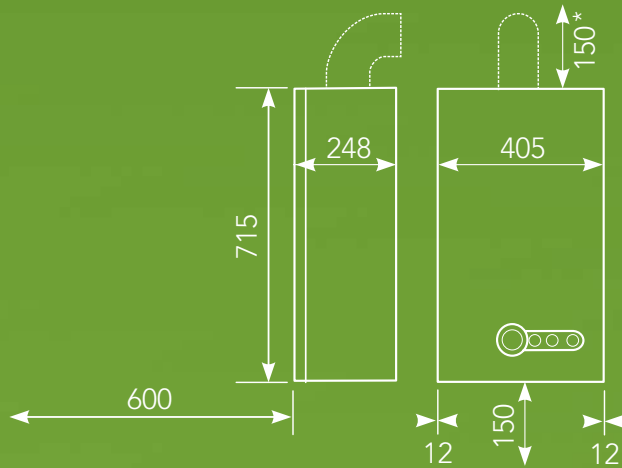
ACCESSORIES	
DESCRIPTION	CODE
STANDARD HORIZONTAL FLUE TERMINAL (XF)	20122759
TELESCOPIC HORIZONTAL FLUE TERMINAL (XT)	20122761
VERTICAL FLUE TERMINAL (XV)	20122763
REAR FLUE TERMINAL	20132064
STANDARD BeSMART WI-FI KIT	20111860
REC 10H CONTROLLER (HYBRID USE)	20134449
REC 10H WALL MOUNTING KIT	20134478
711 OPENTHERM RF PROGRAMMABLE ROOM STAT	20050690
7 DAY RF PROGRAMMABLE ROOM THERMOSTAT	20101743
SPACING FRAME	20139516
EXTERNAL BOX (TO ENCLOSE APPLIANCE FOR EXTERNAL MOUNTING)	1103289
PRE-HEAT BLENDING VALVE KIT	20035644
FROST PROTECTION KIT	20134475
EXTERNAL CONNECTIONS KIT	20134477
OUTSIDE WEATHER COMPENSATION SENSOR	2359259
RF OUTSIDE WEATHER COMPENSATION SENSOR (PV)	20112080
MAGNETIC FILTER	29450199
FUELSAVER ⁽⁴⁾	29450000
CONDENSATE PUMP	404

Vision C

High efficiency combi boiler

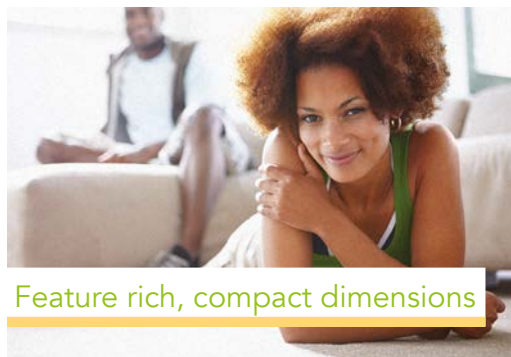
Dimensions and Clearances (mm)

**From casing or 25mm above flue elbow (whichever is applicable)*



The Vision C is a feature rich Vokèra condensing combi boiler.

This boiler has extremely compact dimensions and can fit neatly within most standard kitchen cupboards. It comes with a built-in 7 day digital clock, enabling complete control over heating timings.



Feature rich, compact dimensions



- Fully compliant with the Energy-related Products Directive. Further efficiency can be achieved when installed with a weather compensation sensor or OpenTherm control such as BeSMART.⁽¹⁾
- 7 year parts and labour warranty.⁽²⁾
- Simple to use built-in 7 day digital clock with three modes of operation and back-lit LCD display enables full control of heating times over the week, maximising control and saving energy.
- Flow rate of up to 12 l/min results in quick delivery of hot water.
- DHW pre-heat function that is easily activated by the end user.
- Small dimensions enable the boiler to be sited almost anywhere in the home, including within a kitchen cupboard.
- Rear flue option as well as the standard top flue option provides a versatile installation. Other flueing options available are; horizontal, vertical and twin flue.
- Lightweight, at only 29kg for the 25C, enables the boiler to be lifted into place easily, even in tight spaces.
- Designed for easy installation. Standard Vokèra pipework layout enables trouble-free replacement of older Vokèra models.
- Standard Autostop disabling function⁽³⁾ that automatically changes the current operating mode and moves it permanently into the standby mode, helping Registered Social Landlords fulfill their legal obligation of an annual gas safety check.
- Simple commissioning; only minimal adjustments are required after installation and automatic modulation eliminates the need to range rate the boiler.
- Additional built-in functions include: SARA function for automatic temperature control and improved efficiency, anti-cycling for longer lasting component performance, frost protection and CO mode for simple servicing.
- If the boiler is to be installed in a location that is difficult to access then Vokèra's optional RF room thermostat control or BeSMART can be installed in a convenient location so the heating temperature can easily be adjusted.
- Anti-cycling control prevents wasteful on/off cycling, which reduces wear and tear for longer lasting component performance.
- Vision C is compatible with Vokèra Fuelsaver passive flue gas heat recovery device which is listed on the PCDB and validated for SAP 2009.

SPECIFICATIONS	VISION 25C	VISION 30C
PRODUCT ORDER CODE	20097278	20099224
CENTRAL HEATING		
HEAT INPUT (kW)	20	25
MAXIMUM HEAT OUTPUT 80/60°C (kW)	19.5	24.5
MAXIMUM HEAT OUTPUT 50/30°C (kW)	20.8	26.2
DOMESTIC HOT WATER		
HEAT INPUT (kW)	25	29
FLOW RATE - 35°C RISE (L/MIN)	10.2	12
DIMENSIONS		
HEIGHT x WIDTH x DEPTH (MM)	715 x 405 x 248	
WEIGHT		
DRY WEIGHT (KG)	29	29
CONNECTIONS		
FLOW & RETURN	22MM	
GAS	15MM	15MM
DHW INLET & OUTLET	15MM	15MM
SAFETY VALVE	15MM	
ELECTRICAL		
VOLTAGE (V/Hz)	230/50	
FLUE DETAILS (CONCENTRIC)		
MAXIMUM HORIZONTAL FLUE LENGTH 60/100MM	5.85M	4.85M
MAXIMUM VERTICAL FLUE LENGTH 60/100MM	6.85M	5.85M
MAXIMUM HORIZONTAL FLUE LENGTH 80/125MM	15.3M	12.8M
MAXIMUM VERTICAL FLUE LENGTH 80/125MM	20.3M	17.8M
FLUE DETAILS (TWIN)		
MAX HORIZONTAL / VERTICAL FLUE LENGTH (80MM/80MM)	45M/45M	40M/40M
EFFICIENCY		
ErP SEASONAL SPACE HEATING ENERGY EFFICIENCY (CLASS/%)	A/93	A/93
ErP WATER HEATING EFFICIENCY (XL PROFILE) (CLASS/%)	A/85	A/84
SAP 2009 EFFICIENCY (%)	89.1	89.0
NO _x CLASS	5	

ACCESSORIES	VISION 25C	VISION 30C
DESCRIPTION		
STANDARD HORIZONTAL FLUE TERMINAL	20132063	
TELESCOPIC FLUE TERMINAL	20131981	
VERTICAL FLUE TERMINAL	20131983	
REAR FLUE TERMINAL	20132064	
STANDARD BeSMART WI-FI KIT	20111860	
711 OPENTHERM RF PROGRAMMABLE ROOM STAT ⁽¹⁾	20050690	
7 DAY RF ROOM THERMOSTAT CONTROL ⁽⁴⁾	20101743	
OUTSIDE WEATHER COMPENSATION SENSOR ⁽⁴⁾	2359259	
RF OUTSIDE WEATHER COMPENSATION SENSOR (PV)	20112080 ⁽⁴⁾	
CONTROL INTERFACE	20008401	
SPACING FRAME	20030704	
MAGNETIC FILTER	29450199	
FUELSAVER	29450000	
CONDENSATE PUMP	404	
PIPE COVER	20012594	
LPG CONVERSION KITS	20082917	20113110

(1) The addition of an energy saving control will override the built-in digital control settings on the Vision combi. (2) Subject to registration and annual service. Terms and conditions apply. (3) Autostop activation device required. (4) Control Interface required for use with OpenTherm and Weather compensation sensor.



ErP Compliant



7 Year Warranty⁽²⁾



OpenTherm Inside



Built-in Time Clock



Rear Flue



Lightweight & Compact



Fuelsaver Compatible



Built in Filling Loop



BeSMART Compatible



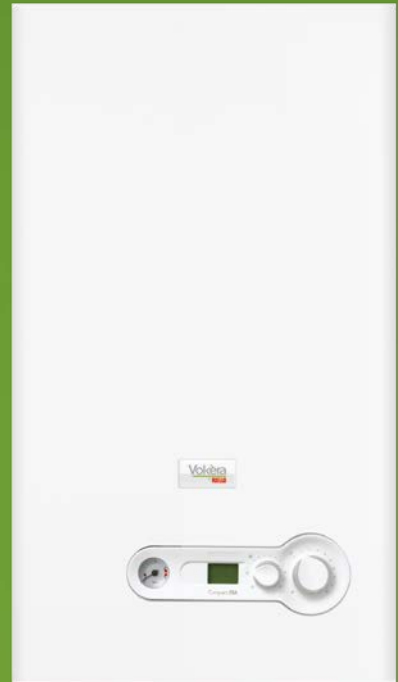
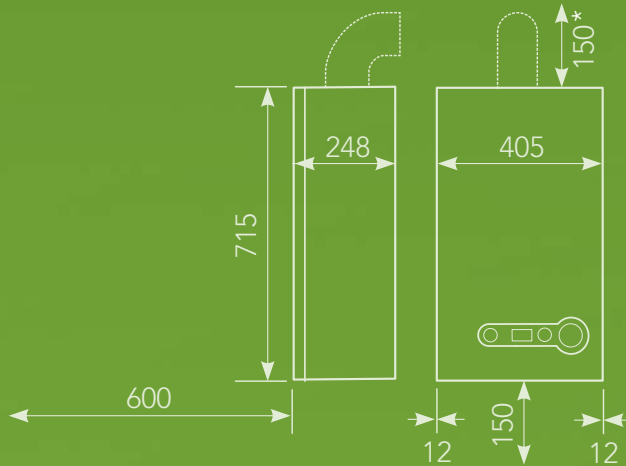
Endorsed Product

Compact A

High efficiency combi boiler

Dimensions and Clearances (mm)

**From casing or 25mm above flue elbow (whichever is applicable)*



The Compact A is simple to operate and efficient to run.

The Compact A is Vokèra's entry level condensing combi boiler which is simple and easy to operate. The Compact A can fit neatly within most standard kitchen cupboards and it has very small dimensions.



Easy, efficient, compact



- Fully compliant with the Energy-related Products Directive. Further efficiency can be achieved when installed with a weather compensation sensor or OpenTherm control such as BeSMART.
- Small dimensions enable the boiler to be sited almost anywhere in the home, including within a kitchen cupboard.
- Available as traditional Vokèra pipe layout or universal 'DIN' layout.
- Rear flue option as well as the standard top flue option provides a versatile installation. Other flueing options available are; horizontal, vertical and twin flue.
- Easy to understand diagnostic display aids the service engineer in the unlikely event of a fault developing.
- 5 year parts and labour warranty.⁽¹⁾
- Energy Saving Trust endorsed product.
- Compact dimensions and low lift weight at only 26kg for the 25A enables a flexible installation allowing the boiler to be lifted into place easily, even in tight spaces.
- Attach the 7 day RF programmable room thermostat, with a Tyco connection for a simple installation, to increase efficiency and maintain optimum room temperature.
- Designed for easy installation.
- Simple commissioning; only minimal adjustments are required after installation and automatic modulation eliminates the need to range rate the boiler.
- Anti-cycling control prevents wasteful on/off cycling and reduces wear and tear.
- Built-in frost protection, protects the appliance from damage during periods of cold weather.
- Compatible with Vokèra Fuelsaver passive flue gas heat recovery device which is listed on the PCDB and validated for SAP 2009.
- Standard Autostop disabling function⁽³⁾ that automatically changes the current operating mode and moves it permanently into the standby mode, helping Registered Social Landlords fulfill their legal obligation of an annual gas safety check.

SPECIFICATIONS	COMPACT 25A	COMPACT 29A	COMPACT 25A DIN	COMPACT 29A DIN
PRODUCT ORDER CODE	20099226	20099227	20162844	20099233
CENTRAL HEATING				
HEAT INPUT (kW)	20	25	20	25
MAXIMUM HEAT OUTPUT 80/60°C (kW)	19.5	24.5	19.5	24.5
MAXIMUM HEAT OUTPUT 50/30°C (kW)	20.8	26.2	20.8	26.2
DOMESTIC HOT WATER				
MAXIMUM INPUT (kW)	25	29	25	29
FLOW RATE - 35° C RISE (L/MIN)	10.2	11.9	10.2	11.9
DIMENSIONS				
HEIGHT x WIDTH x DEPTH (MM)	715 x 405 x 248			
WEIGHT				
DRY WEIGHT (KG)	26	27	26	27
CONNECTIONS				
FLOW & RETURN	22MM			
GAS	15MM			
DHW INLET & OUTLET	15MM			
SAFETY VALVE	15MM			
CONDENSATE	21MM			
ELECTRICAL				
VOLTAGE (V/Hz)	230/50			
FLUE DETAILS (CONCENTRIC)				
MAXIMUM HORIZONTAL FLUE LENGTH 60/100MM	5.85M	4.85M	5.85M	4.85M
MAXIMUM VERTICAL FLUE LENGTH 60/100MM	6.85M	5.85M	6.85M	5.85M
MAXIMUM HORIZONTAL FLUE LENGTH 80/125MM	15.3M	12.8M	15.3M	12.8M
MAXIMUM VERTICAL FLUE LENGTH 80/125MM	16.3M	13.8M	16.3M	13.8M
FLUE DETAILS (TWIN)				
MAXIMUM HORIZONTAL FLUE LENGTH (80MM/80MM)	45M/45M	40M/40M	45M/45M	40M/40M
MAXIMUM VERTICAL FLUE LENGTH (80MM/80MM)				
EFFICIENCY				
ErP SEASONAL SPACE HEATING ENERGY EFFICIENCY (CLASS/%)	A/93			
ErP WATER HEATING EFFICIENCY (XL PROFILE) (CLASS/%)	A/85	A/84	A/85	A/84
SAP 2009 EFFICIENCY (%)	89.1	89.0	89.1	89.0
NOX CLASS	5			

ACCESSORIES			
DESCRIPTION	CODE	DESCRIPTION	CODE
HORIZONTAL FLUE TERMINAL (XF)	20122759	ANALOGUE CLOCK	20025085
TELESCOPIC FLUE TERMINAL (XT)	20122761	SPACING FRAME	20030704
VERTICAL FLUE TERMINAL (XV)	20122763	MAGNETIC FILTER	29450199
REAR FLUE TERMINAL	20132064	FUELSAVER	29450000
STANDARD BeSMART WI-FI KIT	20111860	CONDENSATE PUMP	404
7 DAY RF PROGRAMMABLE ROOM THERMOSTAT	20101743	PIPE COVER	20012594
OUTSIDE WEATHER COMPENSATION SENSOR ⁽²⁾	2359259	25A / 29A LPG KIT	20082917 / 20113110

(1) Subject to registration and annual service. (2) Control Interface required for use with OpenTherm and Weather compensation sensor. Code 20008401. (3) Autostop activation device required.



ErP Compliant



5 Year Warranty⁽¹⁾



OpenTherm Inside



Lightweight & Compact



Cupboard Fit



Rear Flue



BeSMART Compatible



Programmable Thermostat



Optional Pipe Cover



Endorsed Product

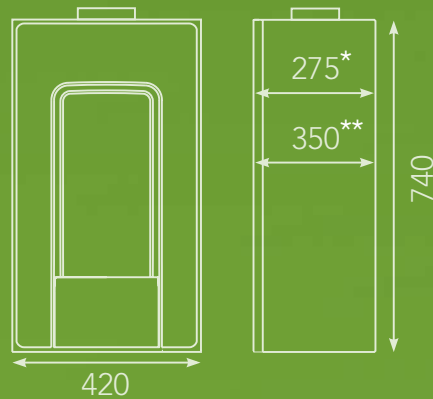
evolve S

High efficiency system boiler

Dimensions (mm)

* Depth for models 18S & 24S

** Depth for models 30S & 35S



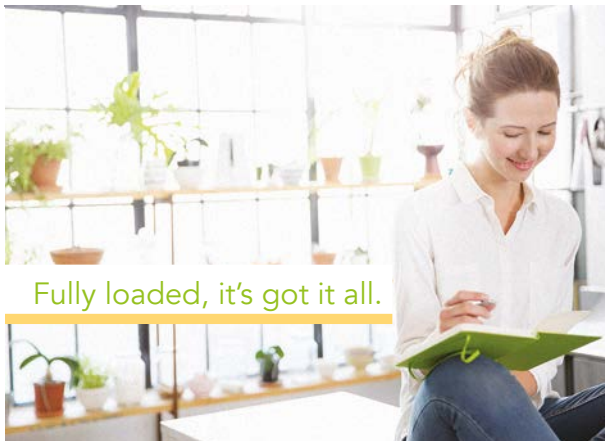
The evolve S is exceptional, offering best in class performance and space saving dimensions.

The evolve S system boilers are for central heating only, with a variety of outputs to suit every home's requirements. They can provide domestic water needs when installed with a storage hot water cylinder.

The evolve S is highly efficient and has an ErP space heating efficiency of 94%, making it one of the best performing boilers on the market.



- Fully compliant with the Energy-related Products Directive. Further efficiency can be achieved when installed with a weather compensation sensor or OpenTherm control.
- ACC (Active Combustion Control) reduces emissions by adapting the air/gas mix according to the gas quality.
- Built-in Carbon Monoxide (CO) monitor for enhanced safety - the boiler will shut down in the event of excess CO being detected.
- Efficiency indicator with on screen display of "High" or "Optimal" efficiency.
- NG/LPG compatible out-of-the-box, with no additional kit required.
- 10 year parts and labour warranty.⁽¹⁾
- Compact dimensions enable the boiler to be sited almost anywhere in the home, including within a kitchen cupboard.⁽²⁾
- Text driven menu for easy set up and adjustment.



Fully loaded, it's got it all.

- Exceptional modulation ratio of 1:7 maximises efficiency and comfort for end user.
- Designed for easy installation.
- The easy to use appliance interface and controls permits the end user to view, change and adjust the operating modes of the boiler.
- Versatile flue options with concentric flue lengths up to 11m.
- Direct rear flue option, reduces overall installation footprint.
- Built-in frost protection, protects the appliance from damage during periods of cold weather.
- Simple commissioning; only minimal adjustments are required after installation and automatic modulation eliminates the need to range rate the boiler.
- Anti-seize function protects the pump and motorised valve from sticking during long periods of inactivity.
- Self-start programming protects the pump and motorised valve from sticking during long periods of inactivity.
- Enhanced Autostop disabling function with four optional modes of operation, including: service reminder, reducing the output of the boiler and moving the boiler into standby mode.⁽³⁾

SPECIFICATIONS	18S	24S	30S	35S
PRODUCT ORDER CODE	20127447	20127448	20131081	20131082
CENTRAL HEATING				
HEAT INPUT (kW)	18	24	30	35
MAXIMUM HEAT OUTPUT 80/60°C (kW)	17.6	23.5	29.4	34.3
MAXIMUM HEAT OUTPUT 50/30°C (kW)	19.2	25.6	31.8	37.2
DIMENSIONS				
HEIGHT (MM)	740			
WIDTH (MM)	420			
DEPTH (MM)	275		350	
WEIGHT				
DRY WEIGHT (KG)	34.4	34.4	35.5	38.5
CONNECTIONS				
FLOW & RETURN	22MM			
GAS	15MM			
SAFETY VALVE	15MM			
ELECTRICAL				
VOLTAGE (V/Hz)	230/50			
FLUE DETAILS (CONCENTRIC)				
MAXIMUM HORIZONTAL FLUE LENGTH 60/100MM	10M		5M	
MAXIMUM VERTICAL FLUE LENGTH 60/100MM	11M		6M	
EFFICIENCY				
ErP SEASONAL SPACE HEATING ENERGY EFFICIENCY (CLASS/%)	A/94			
NO _x CLASS	6			

ACCESSORIES

DESCRIPTION	CODE
STANDARD HORIZONTAL FLUE TERMINAL (XF)	20122759
TELESCOPIC HORIZONTAL FLUE TERMINAL (XT)	20122761
VERTICAL FLUE TERMINAL (XV)	20122763
REAR FLUE TERMINAL	20132064
STANDARD BeSMART WI-FI KIT	20111860
REC 10H CONTROLLER (HYBRID USE)	20134449
REC 10H WALL MOUNTING KIT	20134478
7 DAY RF PROGRAMMABLE ROOM THERMOSTAT	20101743
SPACING FRAME	20139516
EXTERNAL BOX (TO ENCLOSE APPLIANCE FOR EXTERNAL MOUNTING)	1103289
FROST PROTECTION KIT	20134475
EXTERNAL CONNECTIONS KIT	20134477
OUTSIDE WEATHER COMPENSATION SENSOR	2359259
RF OUTSIDE WEATHER COMPENSATION SENSOR (PV)	20112080
MAGNETIC FILTER	29450199
CONDENSATE PUMP	404

(1) Subject to registration and annual service. (2) Cupboard fit applies to 18S & 24S. (3) Autostop activation device required.



Space Heating Efficiency



10 Year Warranty



OpenTherm Inside



Reduced Emissions ACC Inside



Easy Installation Includes Time Clock



Text Driven Menu



Built-in CO Monitor



Cupboard Fit⁽²⁾



Compatible Out Of The Box



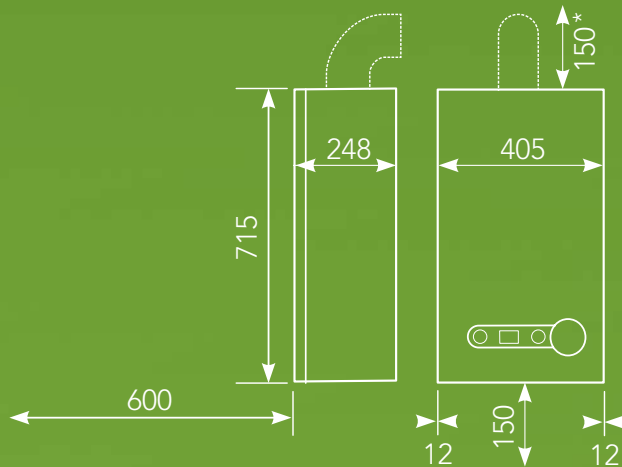
Rear Flue

Vision S

High efficiency system boiler

Dimensions and Clearances (mm)

**From casing or 25mm above flue elbow (whichever is applicable)*



The Vision S is a feature rich Vokèra condensing system boiler.

This boiler has extremely compact dimensions measuring 715 mm (H) x 405mm (W) x 248mm (D) and can fit neatly within most standard kitchen cupboards.

Installer friendly it features a rear flue option, flexible installation and 7 year warranty.



- Fully compliant with the Energy-related Products Directive.
- 7 year parts and labour warranty.⁽²⁾
- Small dimensions enable the boiler to be sited almost anywhere in the home, including within a kitchen cupboard.
- Rear flue option as well as the standard top flue option provides a versatile installation. Other flueing options available are; horizontal, vertical and twin flue.
- Lightweight, at only 27kg for the 20S, enables the boiler to be lifted into place easily, even in tight spaces.
- Designed for easy installation. Standard Vokèra pipework layout enables trouble-free replacement of older Vokèra models.
- Standard Autostop disabling function⁽³⁾ that automatically changes the current operating mode and moves it permanently into the standby mode, helping Registered Social Landlords fulfill their legal obligation of an annual gas safety check.



Cupboard fit without compromise

- Simple commissioning; only minimal adjustments are required after installation and automatic modulation eliminates the need to range rate the boiler.
- Additional built-in functions include: SARA function for automatic temperature control and improved efficiency, anti-cycling for longer lasting component performance, frost protection and CO mode for simple servicing.
- Anti-cycling control prevents wasteful on/off cycling, which reduces wear and tear for longer lasting component performance.

SPECIFICATIONS	VISION 20S	VISION 25S
PRODUCT ORDER CODE	20099228	20099229
CENTRAL HEATING		
HEAT INPUT (kW)	20	25
MAXIMUM HEAT OUTPUT 80/60°C (kW)	19.5	24.5
MAXIMUM HEAT OUTPUT 50/30°C (kW)	20.8	26.2
DIMENSIONS		
HEIGHT x WIDTH x DEPTH (MM)	715 x 405 x 248	
WEIGHT		
DRY WEIGHT (KG)	27	28
CONNECTIONS		
FLOW & RETURN	22MM	
GAS	22MM	
SAFETY VALVE	15MM	
CONDENSATE	21MM	
ELECTRICAL		
VOLTAGE (V/Hz)	230/50	
FLUE DETAILS (CONCENTRIC)		
MAXIMUM HORIZONTAL FLUE LENGTH 60/100MM	5.85M	4.85M
MAXIMUM VERTICAL FLUE LENGTH 60/100MM	6.85M	5.85M
MAXIMUM HORIZONTAL FLUE LENGTH 80/125MM	15.3M	12.8M
MAXIMUM VERTICAL FLUE LENGTH 80/125MM	16.3M	13.8M
FLUE DETAILS (TWIN)		
MAX HORIZONTAL / VERTICAL FLUE LENGTH (80MM/80MM)	45M/45M	40M/40M
EFFICIENCY		
ErP SEASONAL SPACE HEATING ENERGY EFFICIENCY (CLASS/%)	A/93	A/93
SAP 2009 EFFICIENCY (%)	89.0	89.1
NO _x CLASS	5	5

ACCESSORIES	VISION 20S	VISION 25S
DESCRIPTION		
STANDARD HORIZONTAL FLUE TERMINAL	20132063	
TELESCOPIC FLUE TERMINAL	20131981	
VERTICAL FLUE TERMINAL	20131983	
REAR FLUE TERMINAL	20132064	
STANDARD BeSMART WI-FI KIT	20111860	
711 OPENTHERM RF PROGRAMMABLE ROOM STAT ⁽¹⁾	20050690	
7 DAY RF ROOM THERMOSTAT CONTROL ⁽⁴⁾	20059642	
OUTSIDE WEATHER COMPENSATION SENSOR ⁽⁴⁾	2359259	
RF OUTSIDE WEATHER COMPENSATION SENSOR (PV)	20112080 ⁽⁴⁾	
CONTROL INTERFACE	20008401	
SPACING FRAME	20030704	
MAGNETIC FILTER	29450199	
FUELSAVER	29450000	
CONDENSATE PUMP	404	
PIPE COVER	20012594	
LPG CONVERSION KITS	20082917	20113110

(1) The addition of an energy saving control will override the built-in digital control settings on the Vision combi. For Vision system boilers please contact Vokèra Technical Support for advice. (2) Subject to registration and annual service. Terms and conditions apply. (3) Autostop activation device required. (4) Control Interface required for use with OpenTherm and Weather compensation sensor.



ErP Compliant



7 Year Warranty⁽²⁾



OpenTherm
Inside



Rear Flue



Lightweight
& Compact



Optional
Pipe Cover



Easy
Installation



BUILT-IN
ON-BOARD
RELAY



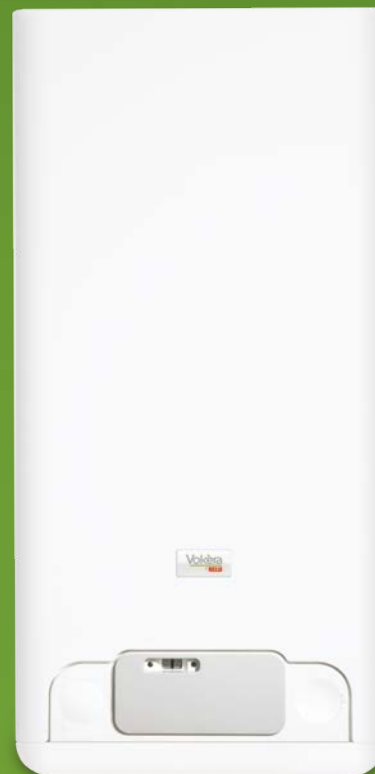
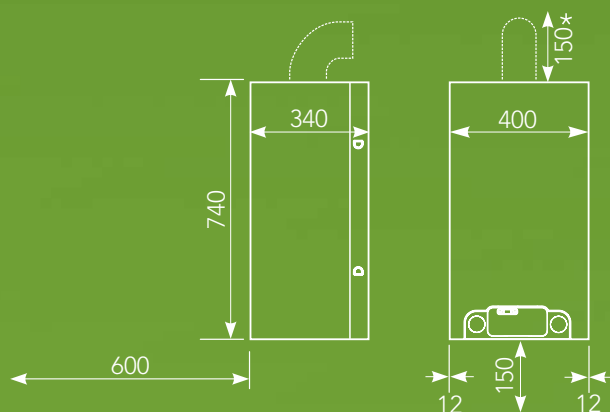
Endorsed
Product

Mynute 20 VHE

High efficiency open vent boiler

Dimensions and Clearances (mm)

**From casing or 25mm above flue elbow (whichever is applicable)*



The Mynute VHE is Vokèra's open vent condensing boiler.

The range has an intuitive control panel which is easily operated and used to adjust the appliance.



- Fully compliant with the Energy-related Products Directive.
- 5 year parts and labour warranty.⁽¹⁾
- Vokèra's unique radial design heat exchanger utilises an extruded aluminium alloy. The design and large cross-sectional area eliminate the risk of scaling or superheated areas.
- Low pressure loss reduces noise and increases pump performance.
- Simple commissioning; only minimal adjustments are required after installation and automatic modulation eliminates the need to range rate the boiler.
- Only requires one metre minimum static head.



Intuitive control in a compact boiler

- Anti-cycling control reduces on/off cycling, increasing efficiency of the boiler and reducing fuel costs.
- Built-in frost protection, which protects the appliance from damage during periods of cold weather. External pump must be connected directly to the boiler to ensure this function operates.
- Versatile, horizontal, vertical or rear flueing options enable the boiler to be sited almost anywhere in the home. Flue type certification also permits Mynute VHE to be used with Vokèra's 80mm PP flexible flue liner and B23 applications.
- Anti-seize function protects the pump from sticking during long periods of inactivity.
- Standard Autostop disabling function⁽²⁾ that automatically changes the current operating mode and moves it permanently into the standby mode, helping Registered Social Landlords fulfill their legal obligation of an annual gas safety check.
- Intuitive control panel ensures end users can easily operate and adjust the appliance.
- Purge cycle feature. The boiler will automatically run a two minute purge cycle when the boiler is switched on for the first time before the burner ignites to expel any air that may be present in the system.
- Compatible with Vokèra's Zenith solar thermal collectors and Aquaflo unvented single and twin coil cylinders.

SPECIFICATIONS	MYNUTE 20 VHE
PRODUCT ORDER CODE	20144035
CENTRAL HEATING	
HEAT INPUT (kW)	20
MAXIMUM HEAT OUTPUT 80/60°C (kW)	19.7
MAXIMUM HEAT OUTPUT 50/30°C (kW)	21.2
DIMENSIONS	
HEIGHT (MM)	740
WIDTH (MM)	400
DEPTH (MM)	340
WEIGHT	
DRY WEIGHT (KG)	28
CONNECTIONS	
FLOW & RETURN	22MM
GAS	15MM
CONDENSATE	21MM
ELECTRICAL DATA	
VOLTAGE (V/Hz)	230/50
FLUE DETAILS (CONCENTRIC)	
MAXIMUM HORIZONTAL FLUE LENGTH 60/100MM	7.8M
MAXIMUM VERTICAL FLUE LENGTH 60/100MM	8.8M
MAXIMUM HORIZONTAL FLUE LENGTH 80/125MM	25M
MAXIMUM VERTICAL FLUE LENGTH 80/125MM	25M
FLUE DETAILS (TWIN)	
MAXIMUM HORIZONTAL FLUE LENGTH (80MM/80MM)	40M/40M
MAXIMUM VERTICAL FLUE LENGTH (80MM/80MM)	40M/40M
EFFICIENCY	
ErP SEASONAL SPACE HEATING ENERGY EFFICIENCY (CLASS/%)	A/92
SAP 2009 EFFICIENCY (%)	88.8
NO _x CLASS	5

ACCESSORIES	
DESCRIPTION	CODE
STANDARD HORIZONTAL FLUE TERMINAL	20132063
TELESCOPIC FLUE TERMINAL	20131981
VERTICAL FLUE TERMINAL	20131983
SPACING FRAME	2359689
MAGNETIC FILTER	29450199
CONDENSATE PUMP	404
WHITE PIPE COVER 400MM	518
MYNUTE VHE LPG CONVERSION KIT	01005446

(1) Subject to registration and annual service. (2) Autostop activation device required.



ErP Compliant



5 Year Warranty⁽²⁾



Radial Heat Exchanger



Versatile Flueing Options



Endorsed Product

Choosing the right control – intelligent, energy saving controls and thermostats

The smarter way for you to control your home heating from your mobile and save money.

BeSMART is one of the first Internet enabled heating control systems, designed so that every home can enjoy the benefits of intelligent heating control. Made to complement the Vokèra boiler range, it's also compatible with most other residential boilers. It's the ideal replacement for older thermostats. BeSMART puts you in control of when you heat your home and water, to suit your schedule and lifestyle, plus it can help you cut your energy bills. Learn more about BeSMART at www.vokera.co.uk/besmart.



OpenTherm
Inside





Control home heating from anywhere, via smartphone, tablet or desktop



Compatible with the majority of boiler brands, not just Vokèra



Manage up to 8 different heating zones from anywhere in the world











Weather compensation adjusts boiler output to reflect the outside climate



Programme up to 3 comfort levels



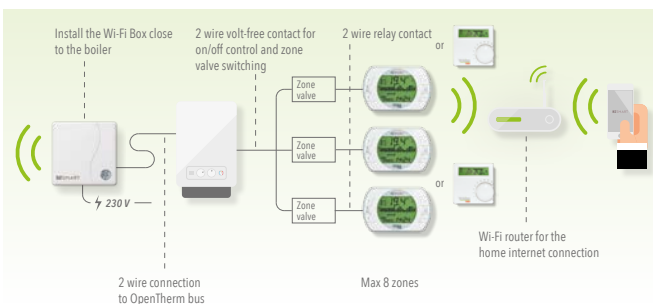
Alerts you and the Vokèra Service Centre if something goes wrong, for a fast repair with the least disruption

BeSMART ACCESSORIES:		
CODE		DESCRIPTION
20111860		STANDARD BESMART WI-FI KIT KIT INCLUDES THE BeSMART THERMOSTAT AND WI-FI BOX AND POWER SUPPLY (ALSO INCLUDES: BATTERIES, BOILER OT WIRING KIT, WALL FIXINGS, ADHESIVE MAGNETIC FIXING STRIP AND INSTRUCTIONS).
20111875		BeSMART THERMOSTAT FOR USE WITH MULTI-ZONE APPLICATIONS - CAN BE COUPLED TO AN EXISTING WI-FI BOX TO ENABLE MULTI-ZONE CONTROL (ALSO INCLUDES: BATTERIES AND WALL FIXINGS).
20101743		RF PROGRAMMABLE ROOM THERMOSTAT FOR USE WITH MULTI-ZONE APPLICATIONS - CAN BE COUPLED TO AN EXISTING WI-FI BOX TO ENABLE MULTI-ZONE CONTROL (ALSO INCLUDES: BATTERIES AND WALL FIXINGS).
20111890		WI-FI BOX ENABLES EXPANSION OR UPGRADE OF EXISTING BeSMART THERMOSTAT THEREBY ENABLING ENHANCED FUNCTIONALITY VIA THE BeSMART APP (ALSO INCLUDES: WALL FIXINGS, MAGNETIC FIXING STRIP, WI-FI BOX POWER SUPPLY AND INSTRUCTIONS).
20112079		BOILER RF RECEIVER PRE-WIRED AND CAN BE USED TO CONFIGURE THE BeSMART THERMOSTAT INTO A STANDARD RF CONTROL; AND CAN ALSO BE USED IN THOSE OCCASIONS WHERE THE BOILER LOCATION HAS A POOR OR ABSENT WI-FI SIGNAL (ALSO INCLUDES: MAGNETIC FIXING STRIP).
20112080		RF OUTSIDE SENSOR KIT (PHOTOVOLTAIC) RF TEMPERATURE SENSOR (PHOTOVOLTAIC) FOR WEATHER COMPENSATION CONTROL. ONLY FOR COMPATIBLE BOILERS. (ALSO INCLUDES: BOILER RECEIVER WITH PRE-WIRED CONNECTOR AND WALL FIXINGS).
20112083		WI-FI ROUTER FOR SIM CARD SIM CARD ROUTER, PLUGS DIRECTLY IN TO A 230V POWER SOCKET TO CREATE A WI-FI NETWORK AND CONNECT BeSMART TO THE INTERNET. IDEAL FOR SECOND HOMES (DATA REQUIRED SIM CARD, NOT INCLUDED).
20112112		WI-FI EXTENDER EXTENDS AND IMPROVES THE WI-FI SIGNAL IN AREAS OF YOUR HOME WHERE THE WI-FI SIGNAL STRENGTH IS POOR OR INADEQUATE.

For more information and technical details please contact your BeSMART specialist or visit: www.besmart-home.com

Typical OpenTherm Multi-Zone Configuration

Programmable Wi-Fi Thermostat For Zone
Valve Control and Boiler OpenTherm Connection



This configuration = ErP Class VIII (+5%)



Choosing the right control – intelligent, energy saving controls and thermostats



711 OpenTherm RF programmable room thermostat

OpenTherm advanced control technology takes over the management of the heating flow temperature and raises or lowers the flow temperature from the boiler to maintain the desired room temperature.

When OpenTherm manages the flow temperature, it works to maintain a low flow temperature. Condensing boilers are at their peak efficiency at lower flow and return temperatures, helping reduce energy use and bills without compromising on comfort.



7 day programmable room thermostat

This 'on / economy / off' programmable room thermostat gives you easy control over boiler heating timings and temperatures over a seven day period. Both RF (wireless) and hard-wired versions available to make it easy to install.

This room thermostat can be configured as a seven day programmer, a 5+2 day programmer with up to 24 temperature changes a day or as an untimed room thermostat. Configured for use with the Compact A combi boiler, it's easy and quick to connect the receiver to the boiler using the Plug & Play Tyco socket.



RF room thermostat

This 'on / off' room thermostat can be used to adjust the set room temperature. It's ideal for the Vision C boiler, as the user can conveniently adjust their heating temperature without interfering with any programmed heating timings that have been set on the Vision C boiler's built-in seven-day digital clock.

It's also compatible with all the current Vokèra ranges.⁽¹⁾ It's compatible with BeSMART and can be used independently with the Wi-Fi Box (20111890) and BeSMART App.



Outside weather compensation sensor

The outside weather compensation sensor helps provide a consistent and comfortable room temperature. It works by regulating boiler flow depending on the outside weather conditions.

Most Vokèra models come with weather compensation technology built-in. If you add this external sensor, you can benefit from even further energy savings. The weather compensation sensor can also be installed with the Vokèra OpenTherm programmable room thermostat, for even greater energy savings.

Installing a weather compensation sensor onto a condensing boiler can increase the efficiency by 2% (SAP 2009).

RF outside weather compensation sensor (photovoltaic) – 20112080.



OpenTherm
Inside

⁽¹⁾ Contact Vokèra Technical for advice.

Boiler Plus – what you need to know

VOKÈRA BOILERS EASILY MEET OR EXCEED THE REQUIRED MINIMUM 92% ERP EFFICIENCY.


WHAT IS BOILER PLUS?

From April 2018 new legislation is in effect, it's objectives are to raise standards of efficiency for domestic heating systems, to give consumers more choice over the way they heat their homes, more control over their energy bills. Boiler Plus applies to retrofit and new installations in England only (new build is excluded). Boiler Plus states that all boilers must have a minimum ErP space heating efficiency of 92%.

When installing a combination boiler, at least one of four additional energy saving measures must be included:

➔ **Load Compensation**
A


evolve



94% ErP
space heating efficiency

+

BeSMART



Adds 3% to
space heating efficiency

=


97%

Total ErP
space heating
package efficiency

- BeSMART (OpenTherm mode) (20111860)
- RF Programmable thermostat (OpenTherm mode) (20101743)
- 711 RF programmable room thermostat (20050690)

☁️ **Weather Compensation**
A


evolve



94% ErP
space heating efficiency

+

Wired outdoor sensor



Adds 2% to
space heating efficiency

=


96%

Total ErP
space heating
package efficiency

- Wired outdoor sensor (2359259)
- RF photovoltaic outdoor sensor (20112080)*

➔ ☁️ **Load and Weather Compensation**
A


evolve



94% ErP
space heating efficiency

+

BeSMART



Adds 4% to
space heating efficiency

=

98%

Total ErP
space heating
package efficiency

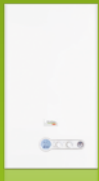
- BeSMART (OpenTherm with internet weather look up) (20111860)

USING A COMBINATION OF VOKÈRA PRODUCTS CAN EASILY ACHIEVE AN ERP SPACE HEATING PACKAGE EFFICIENCY RATING OF 98% EQUAL TO AN A+ PACKAGE.

Find out more about Boiler Plus at www.vokera.co.uk/boilerplus

🔥 **Flue Gas Heat Recovery Units (FGHRS)**

Vision



+

Fuelsaver



- Fuelsaver (29450000)

1 Load Compensation – lowers boiler operating temperatures thereby improving efficiency in line with internal demand whilst maintaining comfort levels.

2 Weather Compensation – lowers boiler operating temperature in line with external air temperature whilst maintaining internal comfort levels. Air temperature can be drawn from an external sensor or internet derived.

3 Smart Controls (with automation and optimisation) – automation is a control function that automatically adjusts time and temperature settings, based on occupancy detection and / or stored data from user adjustments over time. Optimisation is a control function which starts the boiler operation at the optimum time to achieve the set point temperature at the start of the occupancy period.

4 Flue Gas Heat Recovery Systems (FGHRS) – recovering heat from waste flue gases to preheat cold water entering the boiler, reducing energy needed to reach the required level.

*Check boiler compatibility

Vokèra support

Nationwide technical training

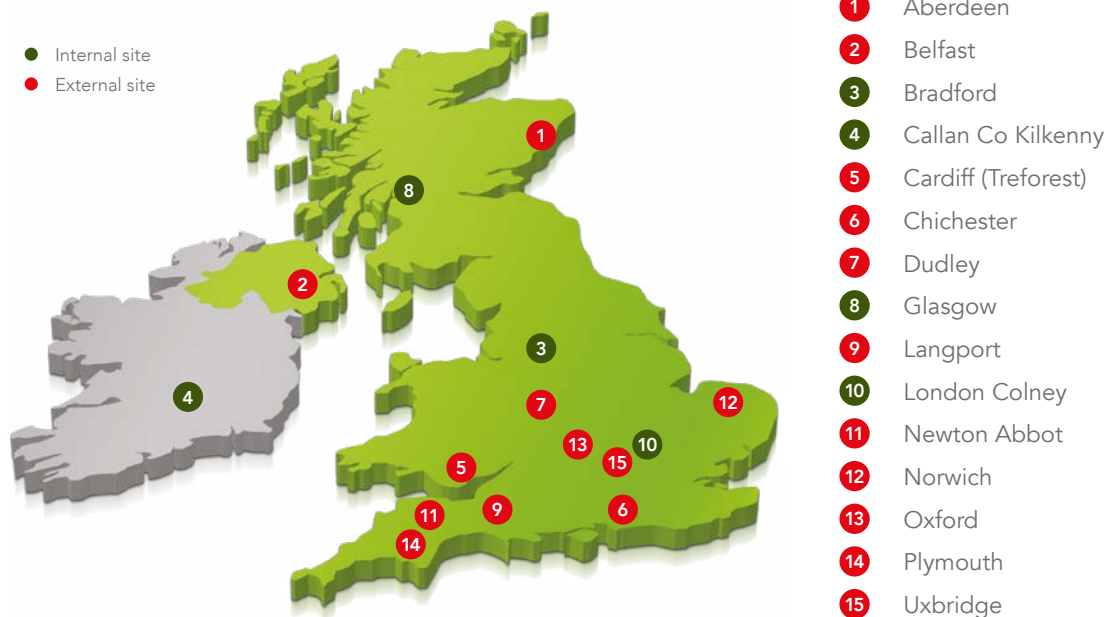
Vokèra technical training delivers real value to Gas Safe Registered engineers. Our training focuses on an engineers need to become familiar with the product and to enable quick and simple installation or repair. Our training is structured to ensure you cover: the appliance range, installation, operation, wiring, flueing, benchmark, fault finding and commissioning. To attend you must be Gas Safe Registered.*

For more information or to book a course call **01727 744002** or email training@vokera.co.uk

VOKÈRA PRODUCT COURSES	
BOILER INSTALLATION AND COMMISSIONING COURSE	1 DAY
FAULT FINDING PRODUCT COURSE	1 DAY
NEW ENTRANTS COURSE	1 DAY
BeSMART & CONTROLS COURSE (INC 'BOILER PLUS' OVERVIEW)	1 DAY
RENEWABLES OVERVIEW PRODUCT COURSE	1 DAY
INDIVIDUAL OR TAILORED WORKSHOPS	1 DAY
CONDEXAPRO PRODUCT COURSE	1 DAY



Vokèra offers training across the UK and Ireland:



*excluding the BeSMART & Controls course.





Domestic Gas Boilers



Commercial Gas Boilers



Solar Thermal



Heat Pumps



Water Heating



Smart Controls



Spares & Accessories



Service

Registered address:

Vokèra Limited
Borderlake House
Unit 7 Riverside Industrial Estate
London Colney
Herts AL2 1HG

enquiries@vokera.co.uk
www.vokera.co.uk

Sales, General Enquiries:

T 0844 391 0999
F 0844 391 0998



© 2019 Vokèra Limited.
We reserve the right to change specification without prior notice.
Consumers statutory rights are not affected.
All rights reserved. E&OE. 05/19/CR

A Riello Group Company.
Company Reg No: 1047779