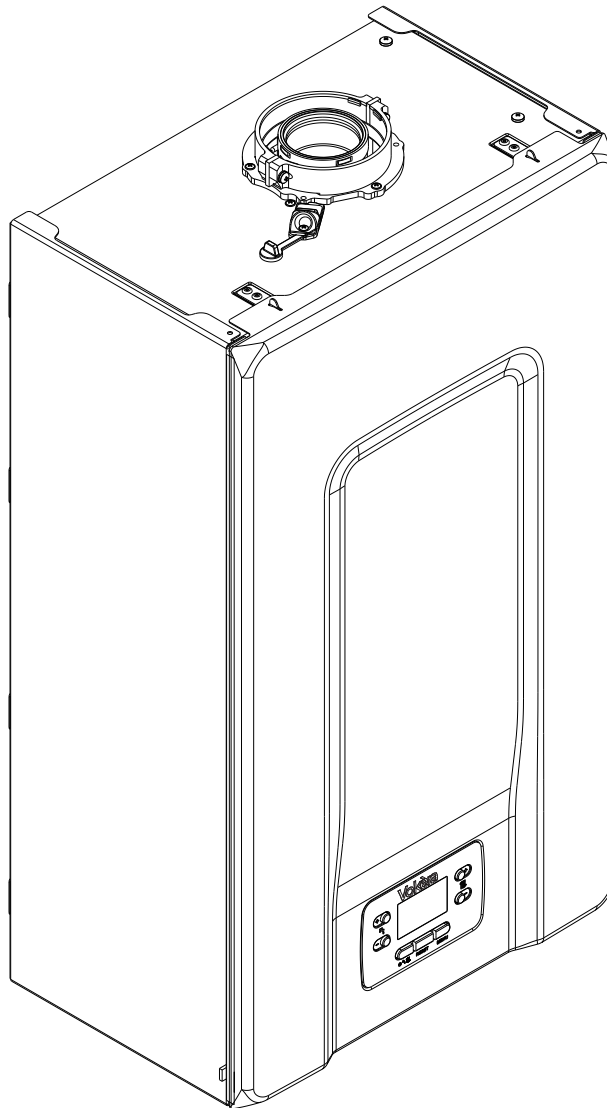
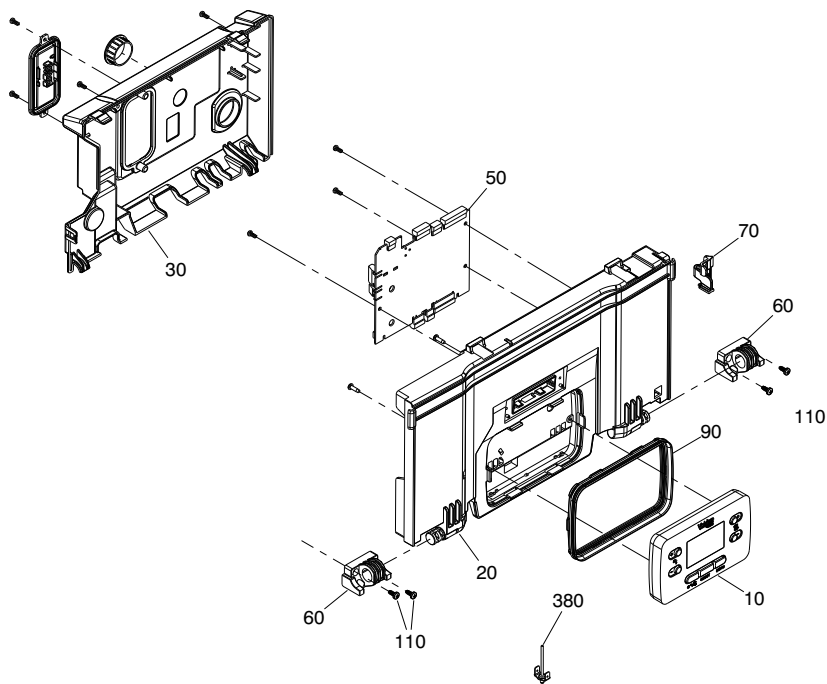
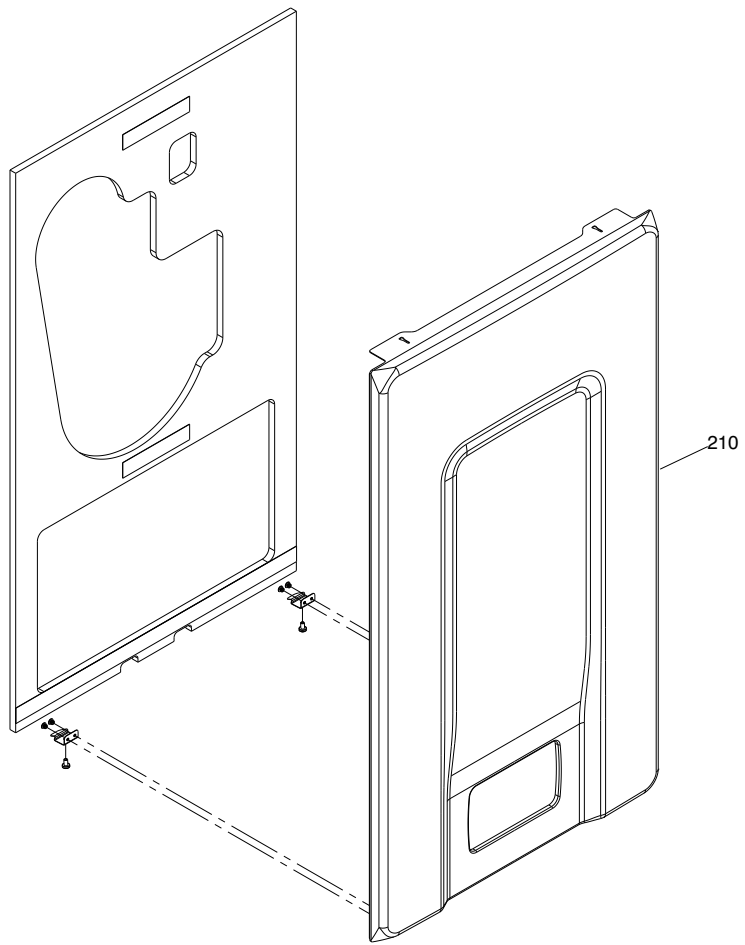


Wall hung boilers

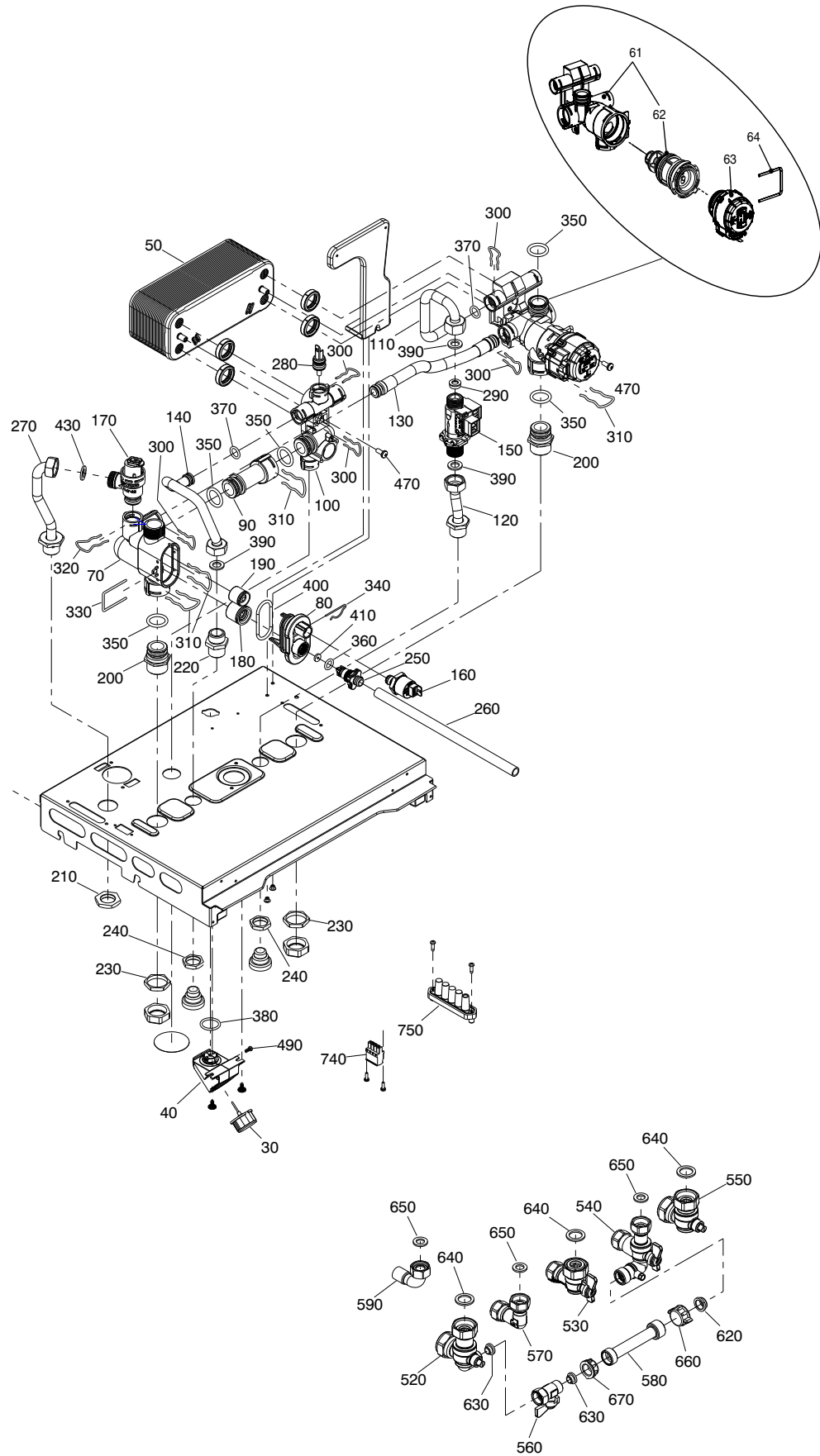
VISION PLUS 35C



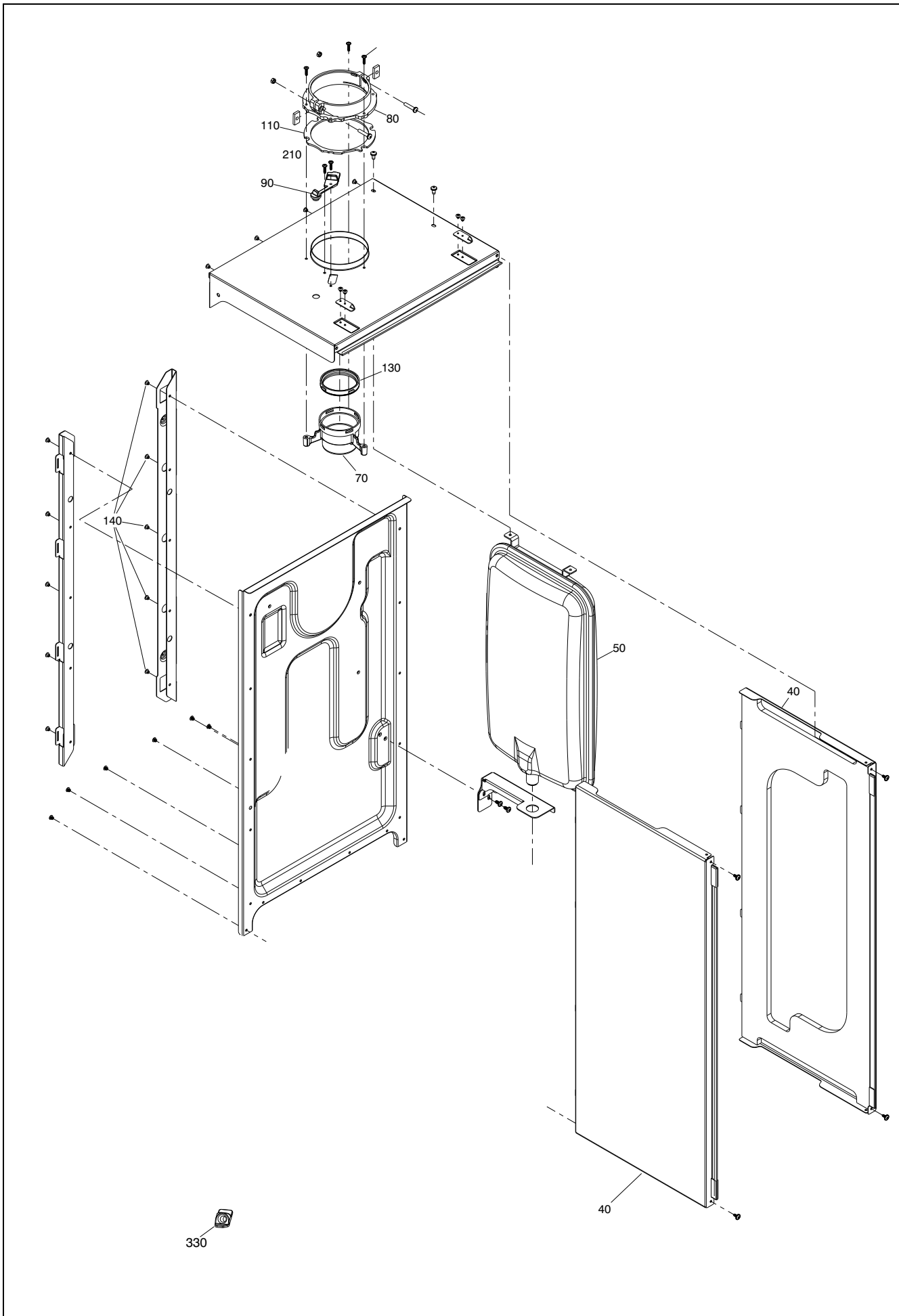
MODEL	PART NUMBER	
	MTN	GPL
Vision Plus 35C	20174724	-



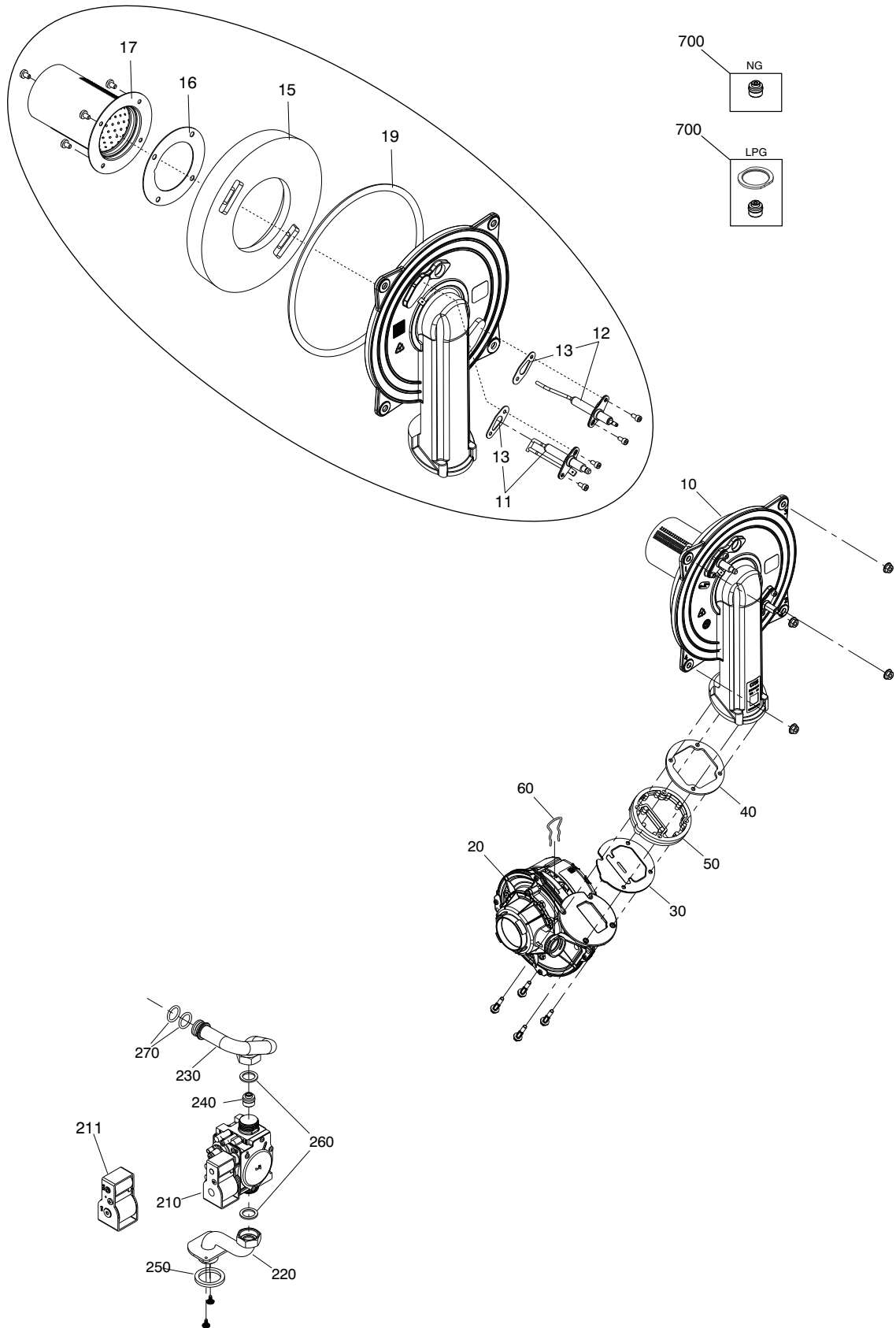
POS.	DESCRIPTION	35C
10	Control panel	20181023
20	Instrumental panel	20154280
30	Electric parts cover	20154281
50	Control board	20178237
60	Rolling hinge	20123231
70	Instrumental panel fastener	20123230
90	Shaped gasket	20123240
210	Front panel	20178204
380	Ground rivet	20154023



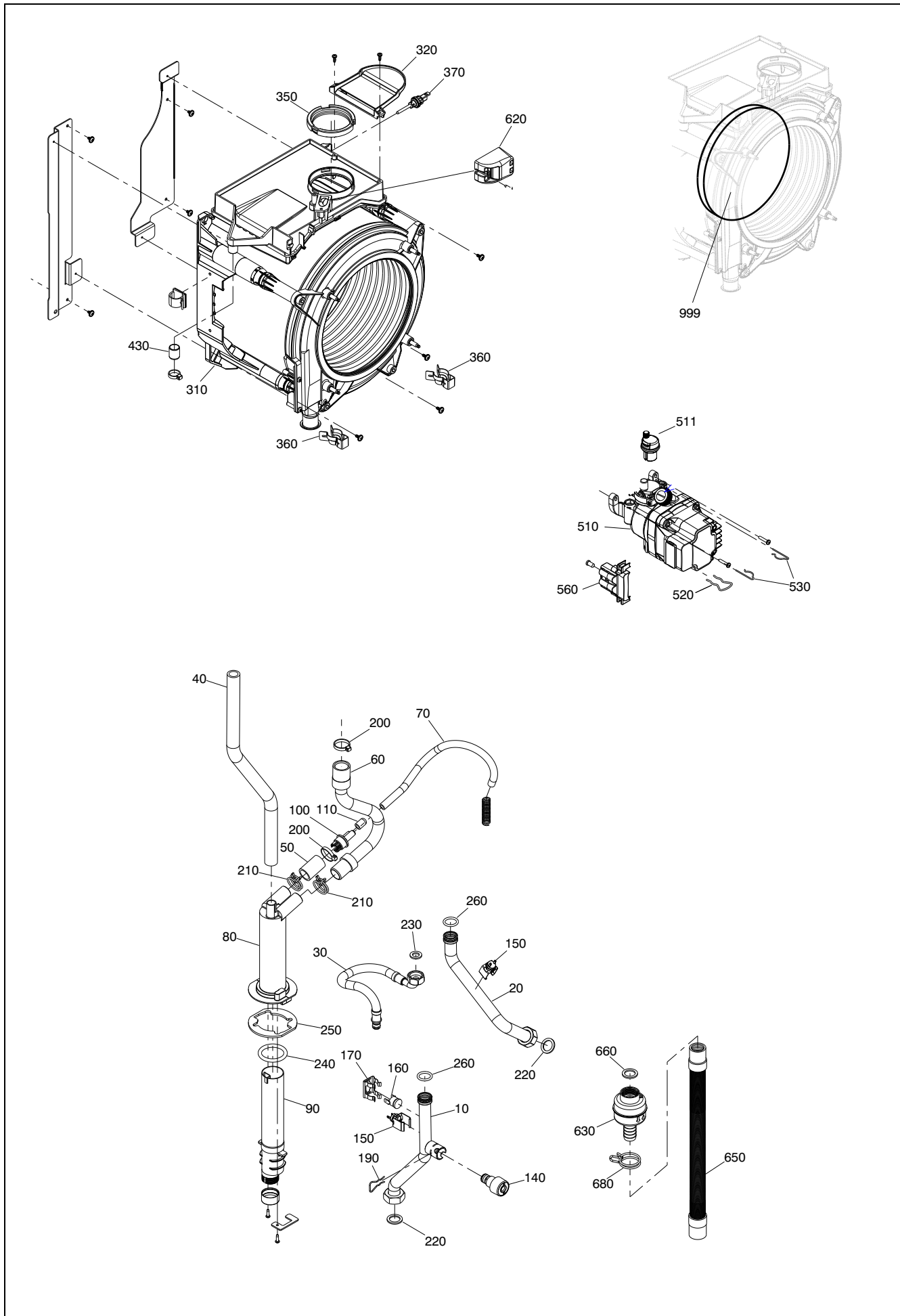
POS.	DESCRIPTION	35C
30	Quick primer pressure gauge	20049617
40	Water gauge carrier	20123121
50	Heat exchanger	20132277
61	3-way heating manifold and cartridge	20021497
62	Cartridge	20043594
63	Actuator	20017594
64	Clip	20017598
70	By-pass casing	R10024642
80	Cover for by-pass assembly	R10024643
90	Connection	R10024647
100	Fitting/union	20092620
110	Pipe	R10024982
120	Pipe	R10024983
130	Pipe	R10025057
140	Pipe	20161493
150	Dhw actuator	20069786
160	Pressure transducer	20024559
170	Safety valve	20043820
180	Non return valve	R10025056
190	High head by-pass valve	R1552
200	Fitting/union	R10025059
210	Nut	20181025
220	Nipple	R10024985
230	3/4" locknut	R4026
240	1/2" lock nut	R4274
250	Cock	R10024646
260	Pvc tube	R10025068
270	Pipe	20181026
280	NTC sensor	R10027351
290	Flow governor	R10025080
300	Clip	R10024986
310	Clip	R10024958
320	Clip	R10025062
330	Clip	R10025063
340	Clip	R2165
350	O-ring	R6898
360	O-ring	R10025064
370	O-ring	R10024988
380	O-ring	R10023533
390	Washer	R5026
400	O-ring	R10025065
410	Washer	R10025066
430	Washer	R10023698
520	Cock	20180000
530	Heating cock	20132650
540	Cock	20180001
550	Heat water cock	20132653
560	Filling cock	20132655
570	Angle pipe	20132654
580	Pipe	20179997
590	Safety valve pipe	20132656
620	Washer	20133198
630	Washer	20133197
640	Washer	R5023
650	Washer	R5026
660	Cap nut	20133199
670	Cap nut	20133200
740	4-pin connector	20154287
750	Five positions fairlead	20123125



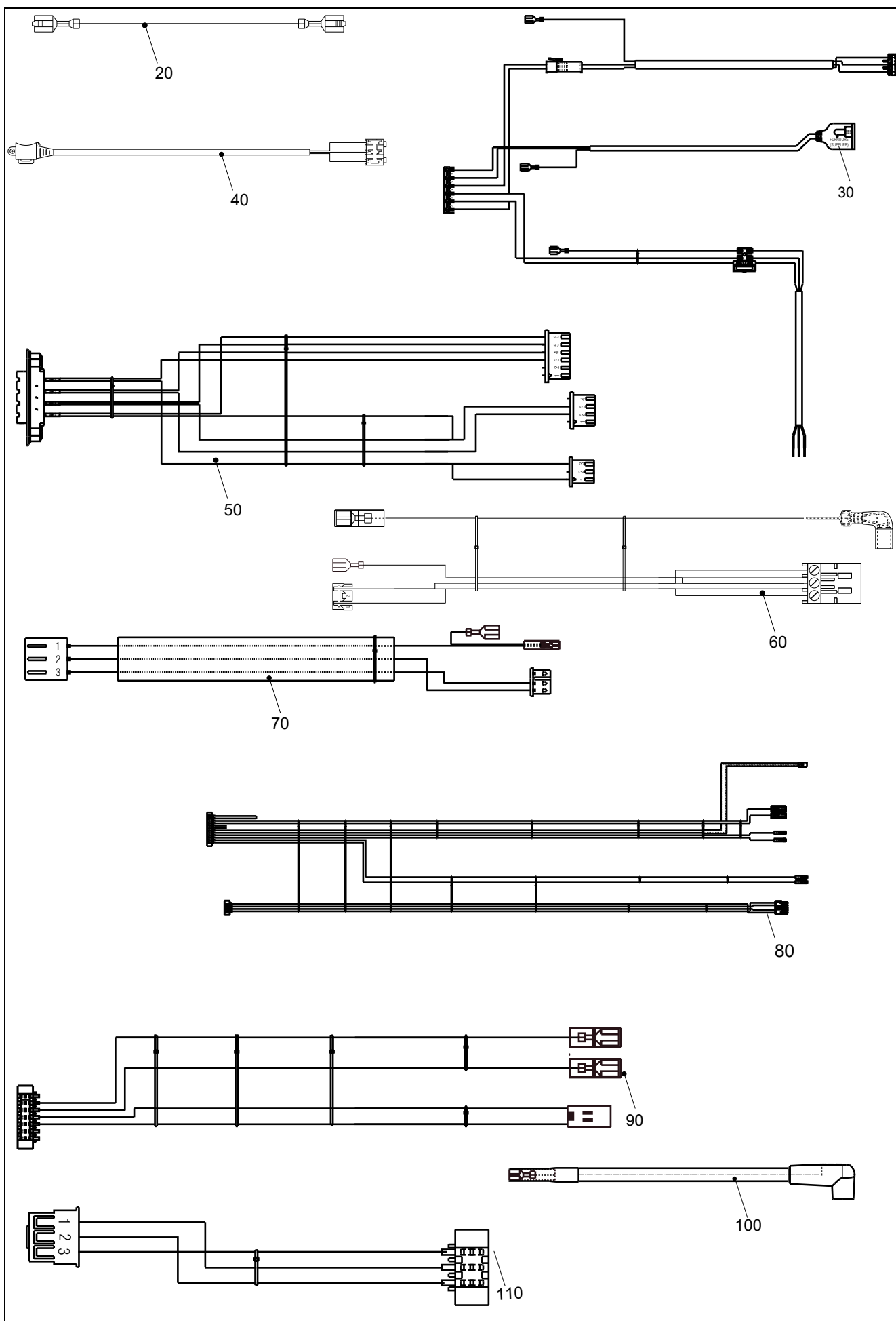
POS.	DESCRIPTION	35C
40	Side panel	20135296
50	9 lt. expansion tank	20135958
70	Flue drain connection	R10028421
80	Fumes flange	20157132
90	Cap smoke analysis	20157134
110	Flange gasket	20157133
130	Washer Ø 60	R10026345
330	Cap smoke analysis	20171129



POS.	DESCRIPTION	35C
10	Air/gas conveyor	20177651
11	Ignition electrode	20135946
12	Sensing electrode	20135947
13	Electrode seal	20157191
15	Insulation panel	20177648
16	Seal burner	20135949
17	Premix burner	20136089
19	Washer	20135951
20	Integrated fan	20136075
30	Non return valve	20169395
40	Washer	20135952
50	Spacer	20177790
60	Clip	R10025062
210	Gas valve	20039202
211	Gas valve solenoid	20040675
220	Pipe	20161547
230	Pipe	20161546
240	gas diaphragm	R10029209
250	Gasket	20123159
260	Washer	R5023
270	Washer	20024869
700	LPG conversion kit	20080711
700	Ng conversion kit	20167315



POS.	DESCRIPTION	35C
10	Pipe	20168464
20	Pipe	20161490
30	Flexible pipe	20135789
40	Silicon pipe	20181028
50	Pipe	20135786
60	Condensation outlet pipe	20169396
70	Tube kit	20136087
80	Trap upper body	20123188
90	Trap lower body	20123189
100	Adapter siphon condensate drain	20135945
110	Plug	20081059
140	Cock	20000533
150	NTC Detector	20078350
160	High limit thermostat	20005585
170	Clip	R5472
190	Clip	20000539
210	Hose clamp	20152419
220	Washer	R10023699
230	Washer	R5026
240	O ring	20123187
250	Trap gasket	20123190
260	O ring	20152424
310	Condensing exchanger assembly	20177653
320	Rain coat for exchanger	20135930
350	Washer Ø 60	R10028426
360	Spring pipe	20000130
370	Flue sensor	20135782
430	Hole cover	20181027
510	Pump 6 mt.	20178238
511	Air vent bottle	20169571
520	Clip	R10025062
530	Clip	R2165
560	Cover	20180465
620	Ignition transformer	20001563
630	Safety float	20127819
650	Condensation outlet tube	20100816
660	Washer	R10023699
680	Hose clamp	20152306
999	Retarder insulating panel	20159693



POS.	DESCRIPTION	35C
20	Wiring harness	20167256
30	Power wiring harness	20181024
40	Hydraulic control cable	20017596
50	Bus wiring harness	20167255
60	Fan wiring harness	20167257
70	Flame wiring harness	20167258
80	Wiring harness	20181022
90	Low tension cable	20167254
100	Ignition electrode wiring harness	20135792
110	pressure transducer wiring	20167261

Rev	Data	Descrizione



Vokera reserve the right to change the specifications without prior notice.
Consumers' statutory rights are not affected.