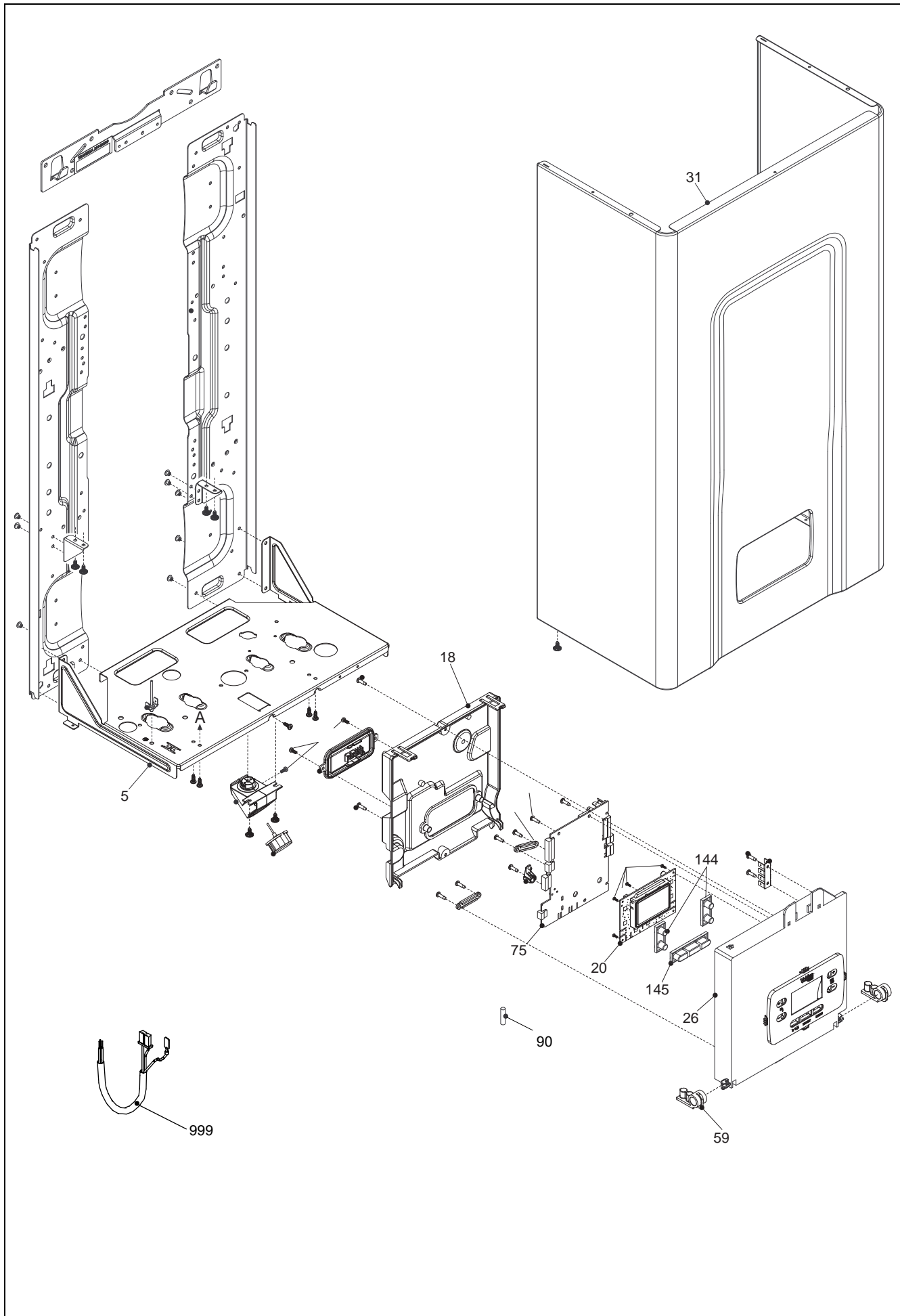


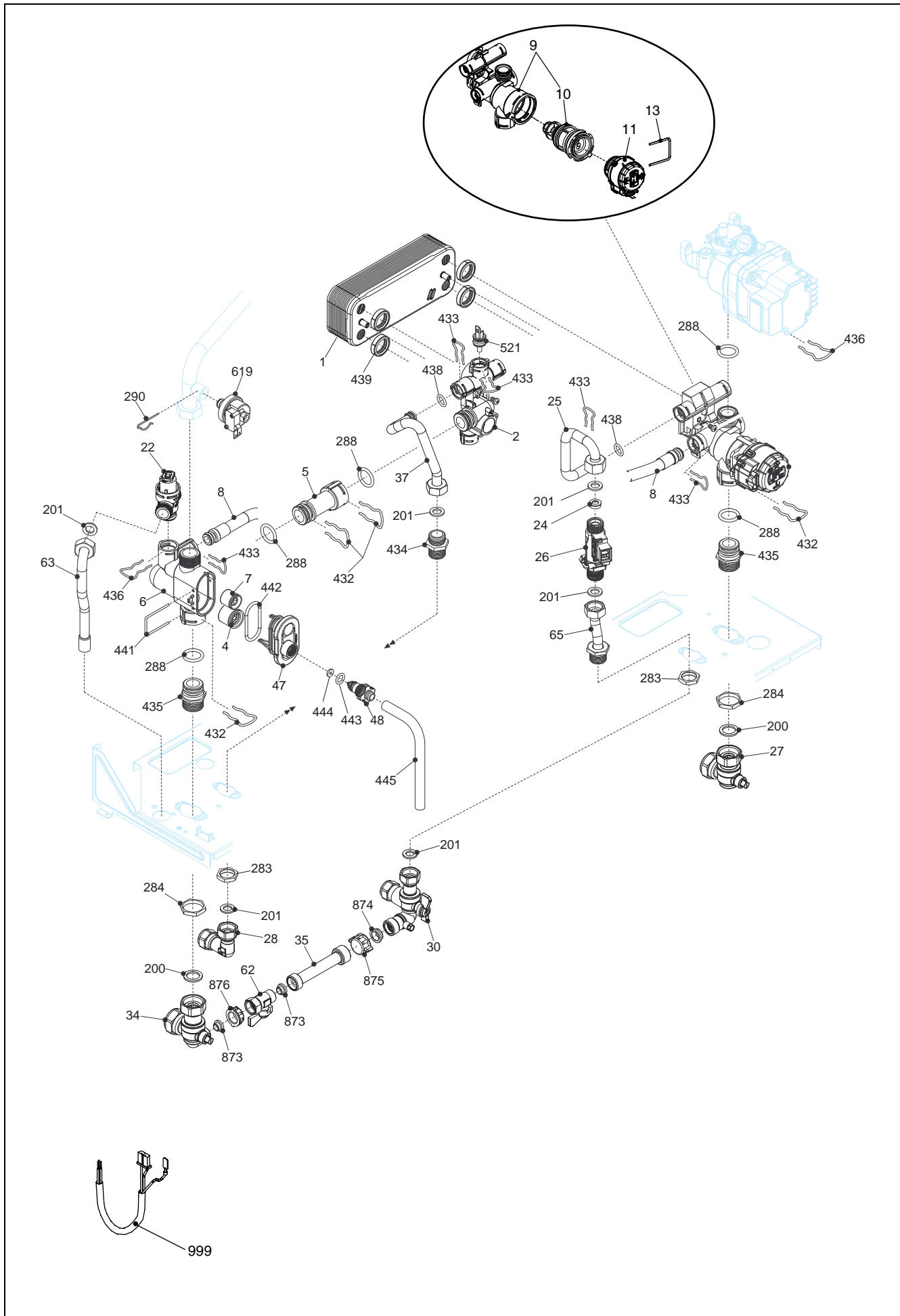
Wall hung boilers

Vision Plus 30C

MODEL	PART NUMBER	
	MTN	GPL
Vision Plus 30C	20173521	-



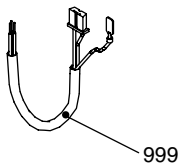
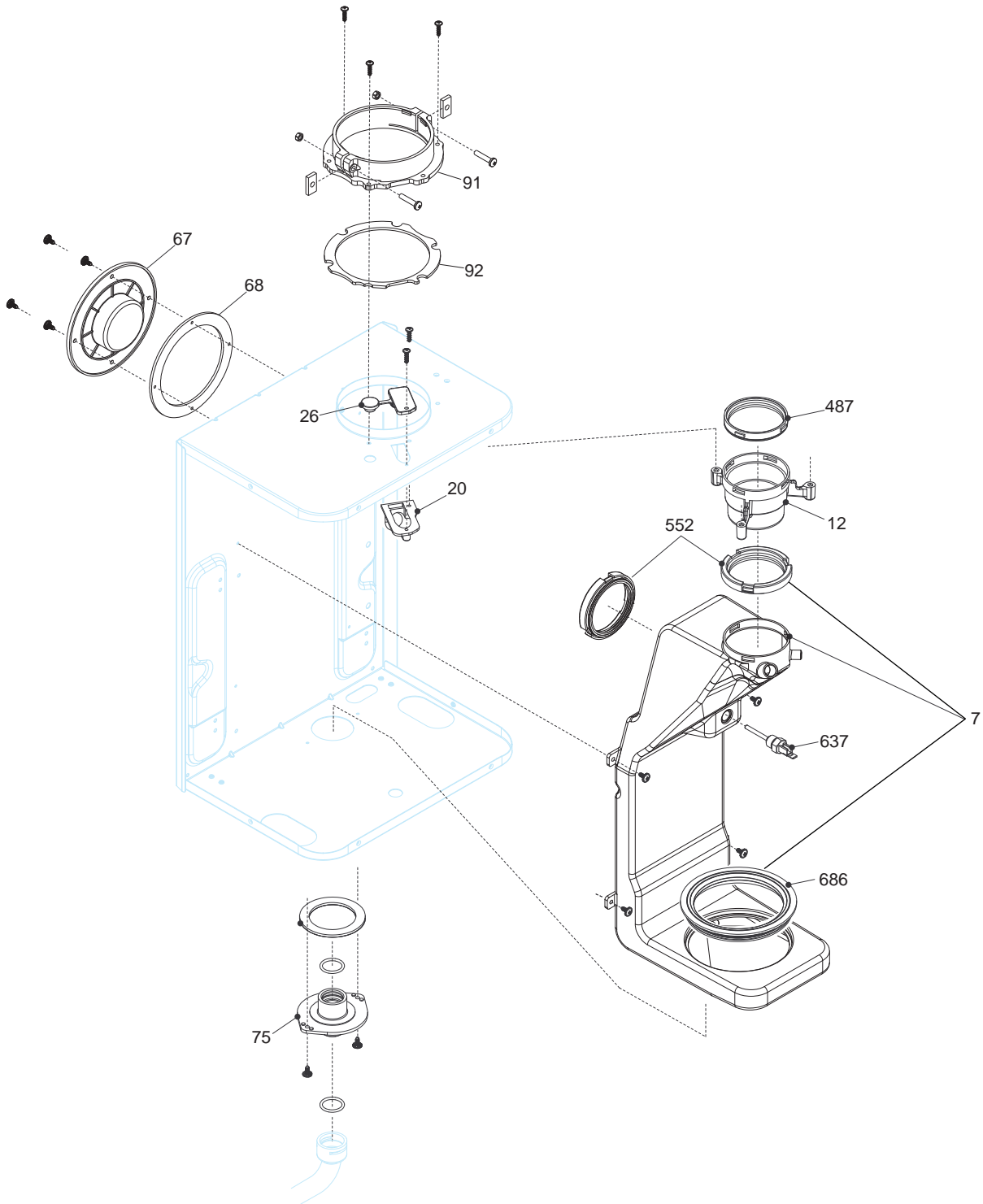
POS.	DESCRIPTION	30 C
5	Frame assembly	20177843
18	Electric parts cover	20179990
20	PC board	20179993
26	Instrumental panel	20179989
31	Case Assembly	20179987
59	Hinge	20179991
75	Control board	20178237
90	Fuse	R3478
144	Knob	20179998
145	Knob	20179999
999	Power wiring harness	20179996
999	Low tension cable	20167254
999	Wiring harness	20179992
999	Hydraulic control cable	20017596



POS.	DESCRIPTION	30 C
1	Exchanger	20157769
2	Fitting/union	20092620
4	Non return valve	R10025056
5	Connection	R10024647
6	By-pass casing	R10024642
7	High head by-pass valve	R1552
8	Pipe	R10025057
9	3-way heating manifold and cartridge	20021497
10	Cartridge	20043594
11	Actuator	20017594
13	Clip	20017598
22	Safety valve	20043820
24	Flow governor	R10026045
25	Pipe	R10024982
26	Dhw actuator	20069786
27	Heat water cock	20132653
28	Angle pipe	20132654
30	Cock	20180001
34	Cock	20180000
35	Pipe	20179997
37	Pipe	20013140
47	Cover for by-pass assembly	20133375
48	Cock	R10024646
62	Filling cock	20132655
63	Pipe	20036120
65	Pipe	R10024983
70	Pump plug	R2216
200	Washer	R5023
201	Washer	R5026
283	1/2" lock nut	R4274
284	3/4" locknut	R4026
288	O-ring	R6898
290	Clip	R2165
432	Clip	R10024958
433	Clip	R10024986
434	Nipple	R10024985
435	Fitting/union	R10025059
436	Clip	R10025062
438	O-ring	R10024988
439	Washer	R10025067
441	Clip	R10025063
442	O-ring	R10025065
443	O-ring	R10025064
444	Washer	R10025066
445	Pvc tube	R10025068
521	NTC sensor	R10027351
619	Pressure transducer	20024559
873	Washer	20133197
874	Washer	20133198
875	Cap nut	20133199
876	Cap nut	20133200
999	pressure transducer wiring	20167261

POS.	DESCRIPTION	30C
1	8lt. expansion tank	20138098
2	Flexible pipe	20012937
3	Pump 6 mt.	20178238
4	connectors support	20169574
5	Air vent bottle	20169571
7	Pipe	20074590
8	Condensing exchanger assembly	20039924
10	Pipe	20179994
19	expansion vessel bracket	20125261
25	Siphon	20169889
27	Condensation outlet tube	20025743
34	Hydraulic connection	20164544
66	Flexible pipe	R10027545
88	Connection	20039954
290	Clip	R2165
302	Washer	R5025
371	Clip	R10023532
384	Washer	R10023699
436	Clip	R10025062
538	Hose clamp	20152306
587	Connection	R10030382
668	Clip	20019767
735	Water filter	20165861
825	NTC Detector	20078350
870	Silicone tube	20169894

POS.	DESCRIPTION	30 C
3	Integrated fan	20081318
4	Burner	20055216
5	Spark ignition electrode	20025737
9	Clip	20093799
12	Pipe	20039152
13	Gas valve	20039202
14	Gas pipe	20040474
15	Heating cock	20132650
16	Combustion chamber cover	20011414
17	Gas valve solenoid	20040675
18	Plug	20005550
33	Electrode seal	20025740
34	Protection	20046270
40	Heat exchanger gasket (29kw)	20160020
46	Gas diaphragm 5.1	R2353
67	Burner seal (29kw)	20160019
68	Cover	20046266
77	Washer	20025753
79	Flame sensor electrode	20043523
92	Silencer	20025760
200	Washer	R5023
295	Silicone tube	R1457
436	Clip	R10025062
613	Ignition transformer	20001563
625	High limit thermostat	20005585
629	Sealing gasket	20166929
680	Washer	20024869
683	Sealing gasket	20166930
700	Lpg conversion kit	20113110
700	Ng conversion kit	20113104



POS.	DESCRIPTION	30 C
7	Conveyor	20180532
12	Flue drain connection	20040102
20	Outlet nut	20026049
26	Plug	20026058
67	Drain plug	20000118
75	Flue clector	20026056
91	Fumes flange	20157132
92	Flange gasket	20157133
487	Washer Ø 60	R10026345
552	Washer Ø 60	R10028426
637	Flue sensor	20007050
686	Washer	20026059
999	Combustion cable	20025736

Rev.	data	Descrizione



Vokera reserve the right to change the specifications without prior notice.
Consumers' statutory rights are not affected.