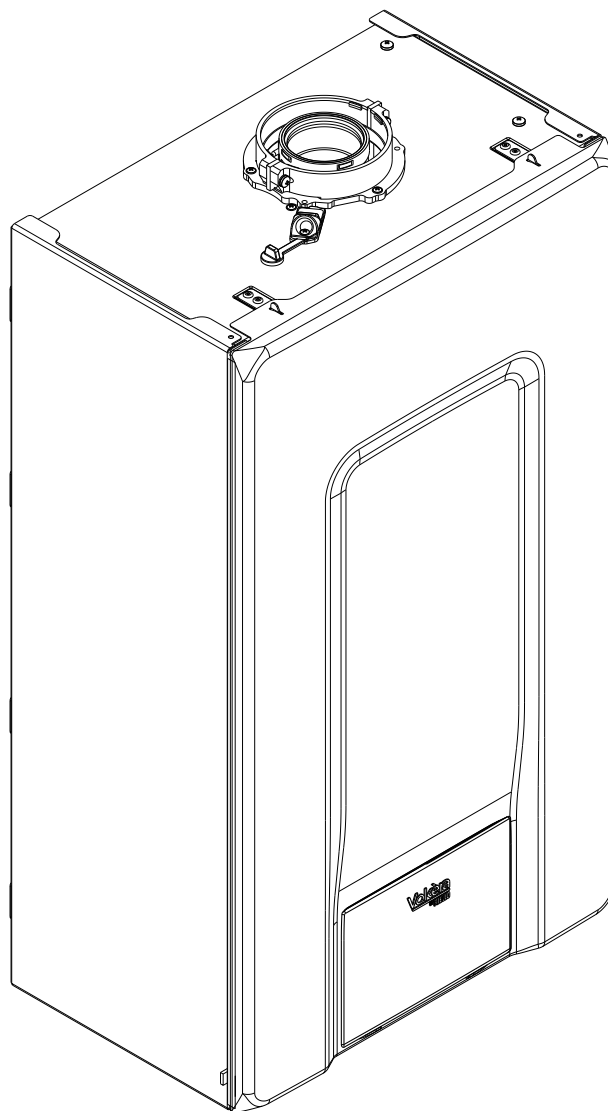
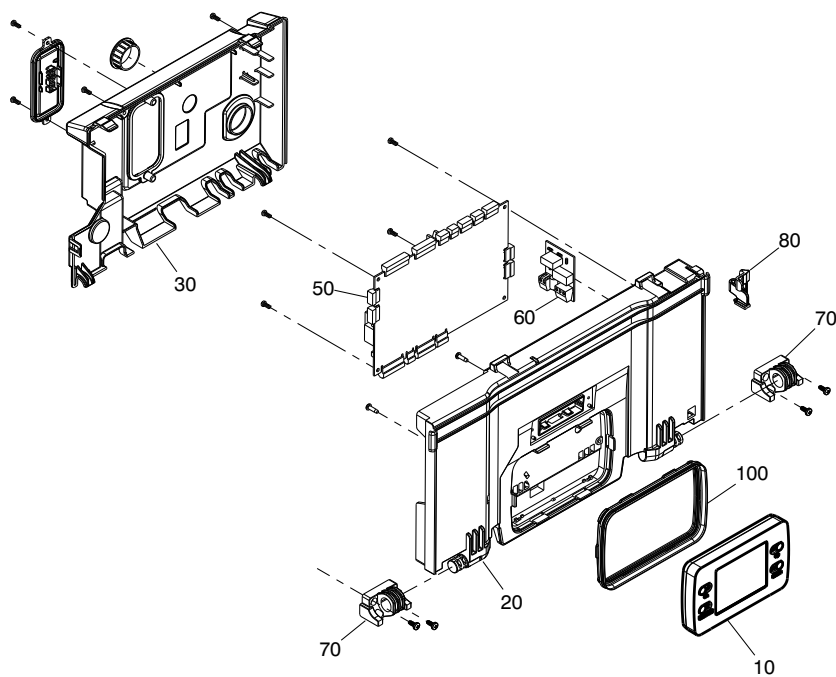
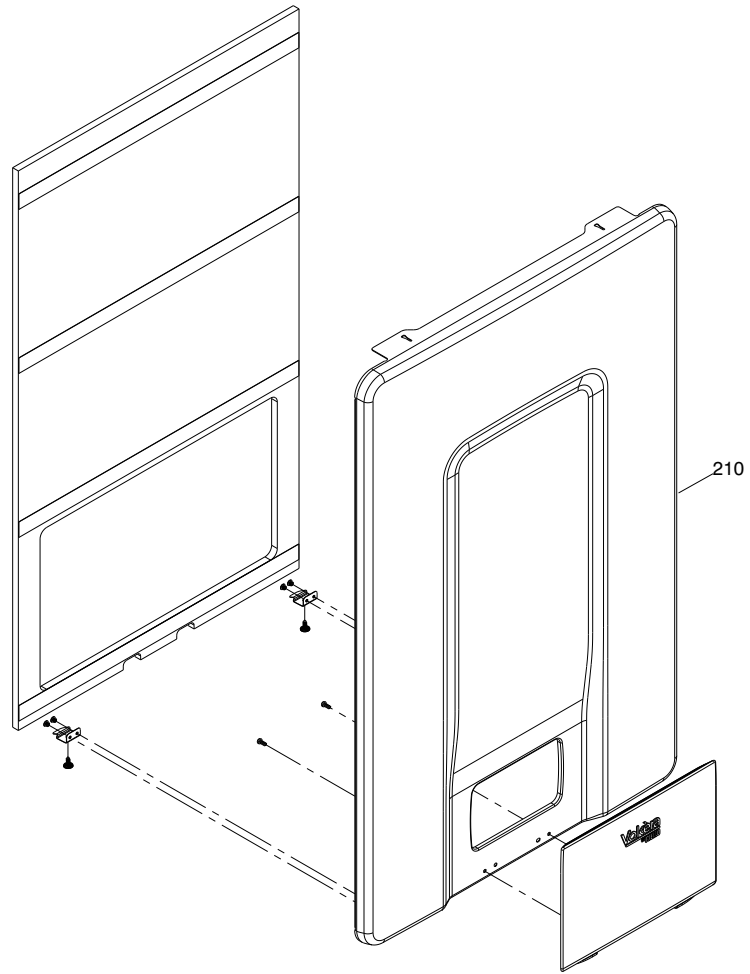


Wall hung boilers

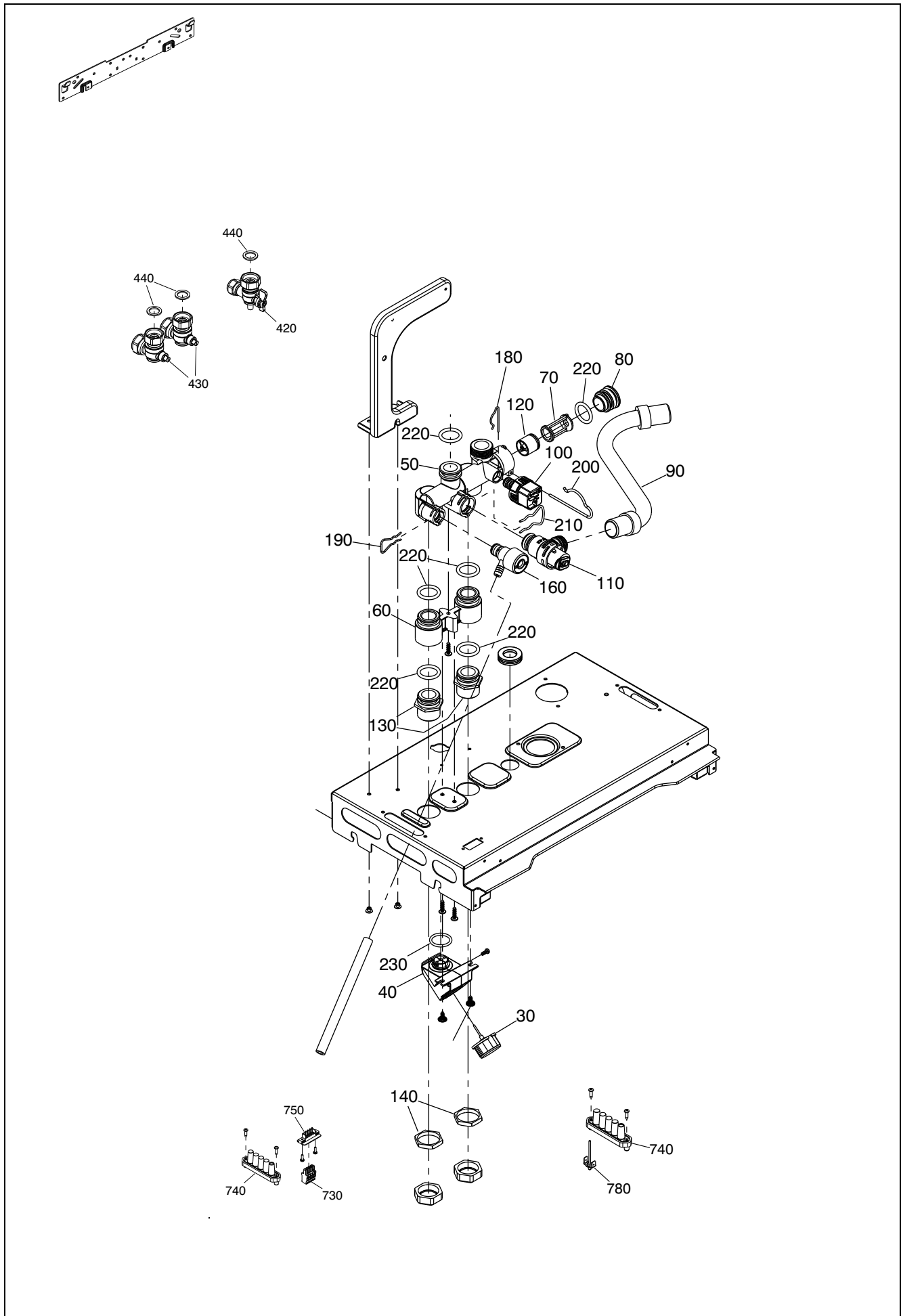
UNICA MAX 20S



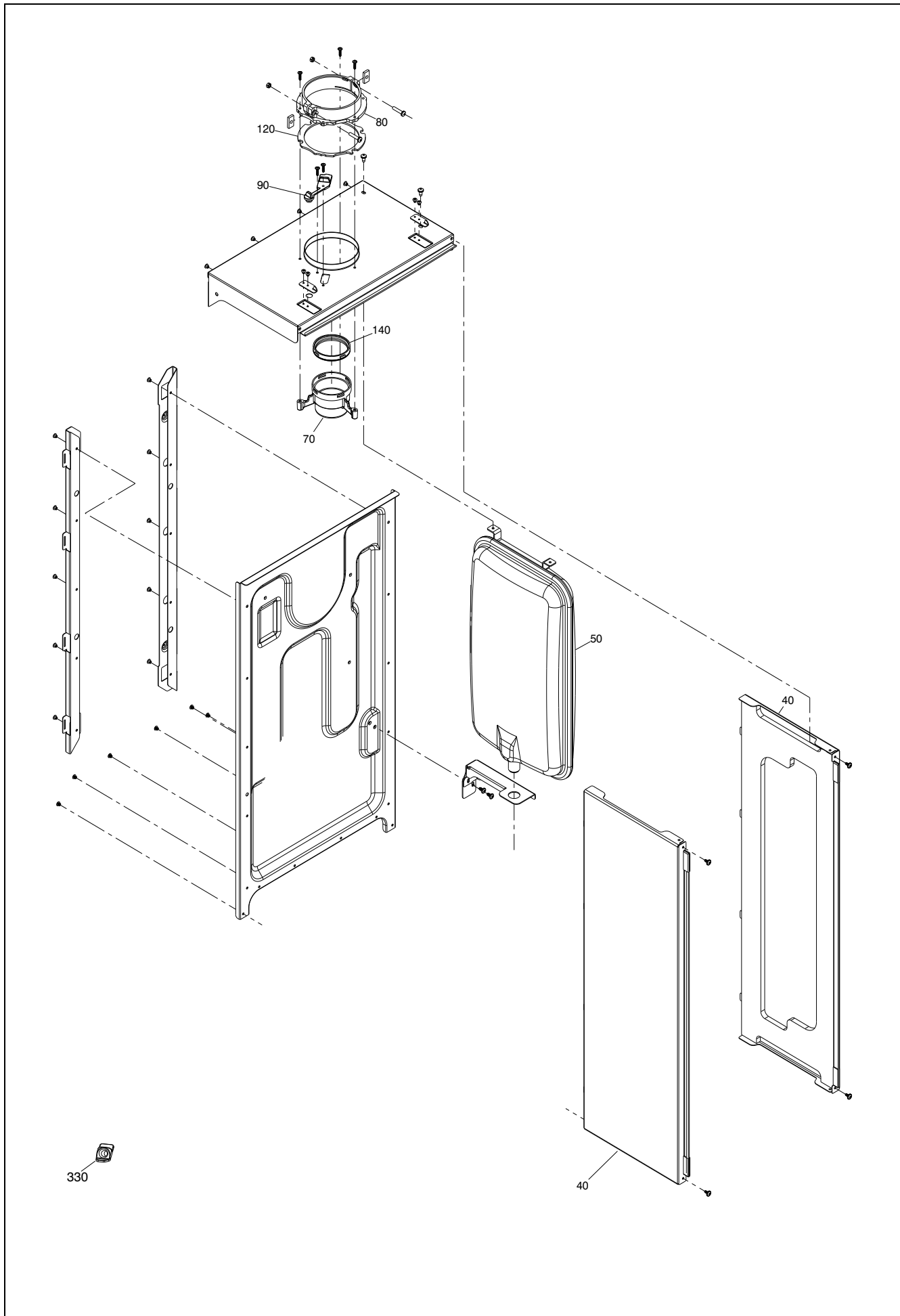
MODEL	PART NUMBER	
	MTN	GPL
Unica Max 20S	20188338	-



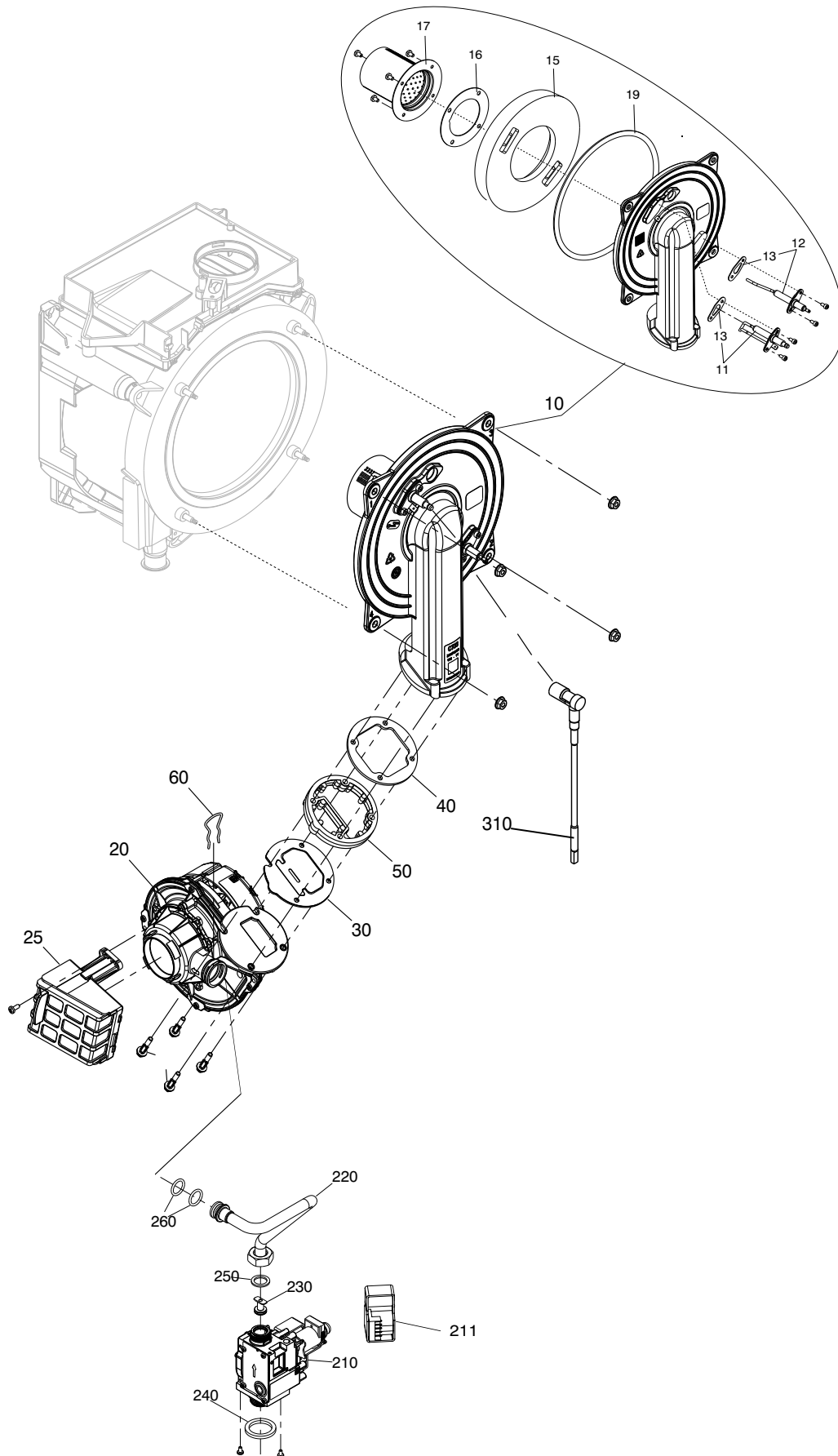
POS.	DESCRIPTION	20S
10	Remote control	20189301
20	Instrumental panel	20154280
30	Electric parts cover	20154281
50	Printed circuit board	20146241
60	Printed circuit board	20076436
70	Rolling hinge	20123231
80	Instrumental panel fastener	20123230
100	Shaped gasket	20123240
210	Front panel	20191403



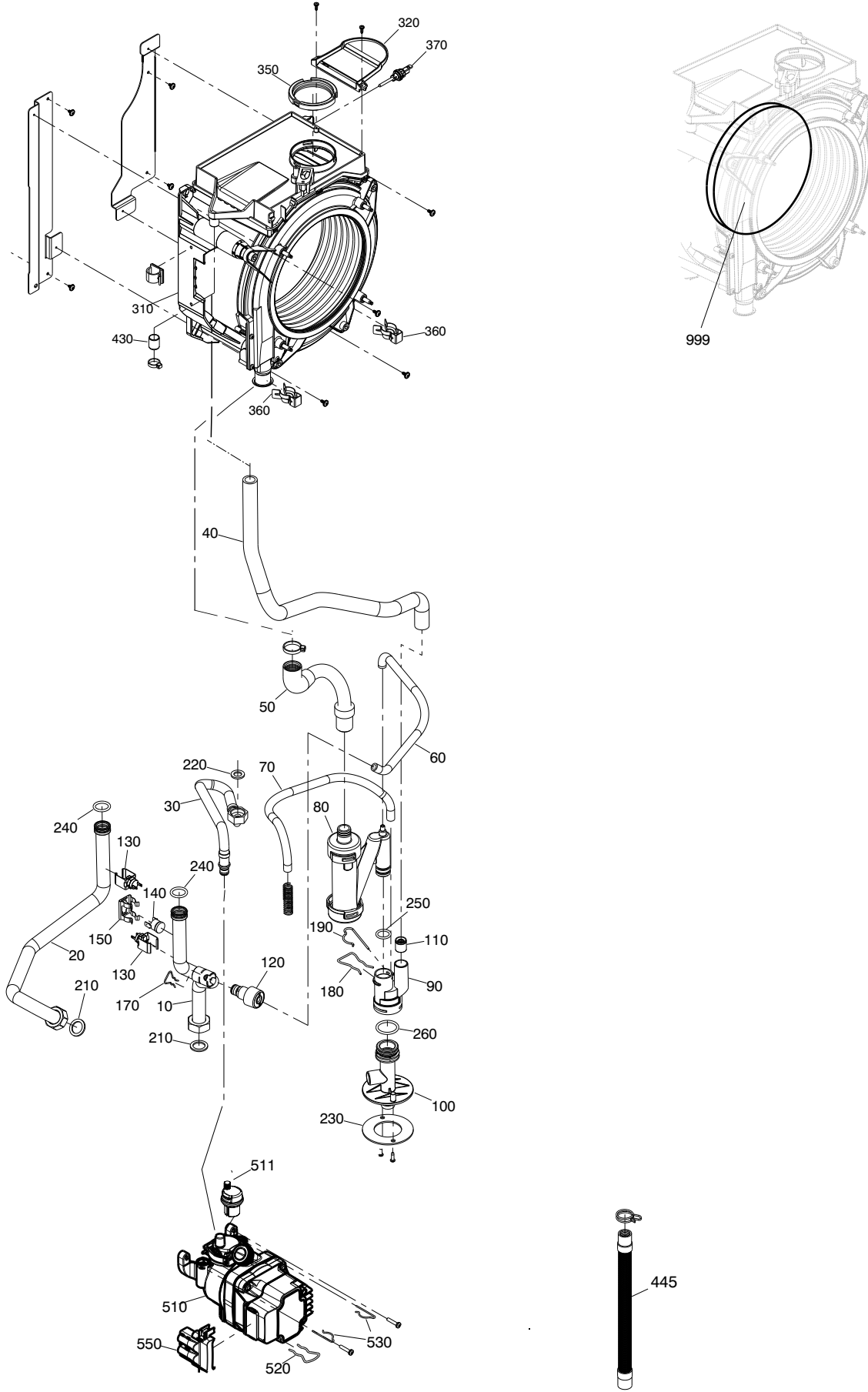
POS.	DESCRIPTION	20S
30	Quick primer pressure gauge	20049617
40	Water gauge carrier	20123121
50	Heating distrib.	20005568
60	Hydraulic connection	20130718
70	by-pass valve support	20068965
80	Automatic by-pass plug	R10024645
90	Flexible pipe	R10027074
100	Pressure transducer	20191405
110	Safety valve	20043820
120	High head by-pass valve	R1552
130	Connection	20014074
140	3/4" locknut	R4026
160	Cock	20000533
180	Clip	R2165
190	Clip	20000539
200	Clip	R2223
210	Clip	R10025062
220	O-ring	R6898
230	O-ring	R10023533
420	Gas tap	20141319
430	Heat water cock	20132653
440	Washer	R5023
730	4-pin connector	20154287
740	Five positions fairlead	20123125
750	Bus wiring harness	20190415
780	Ground rivet	20154023



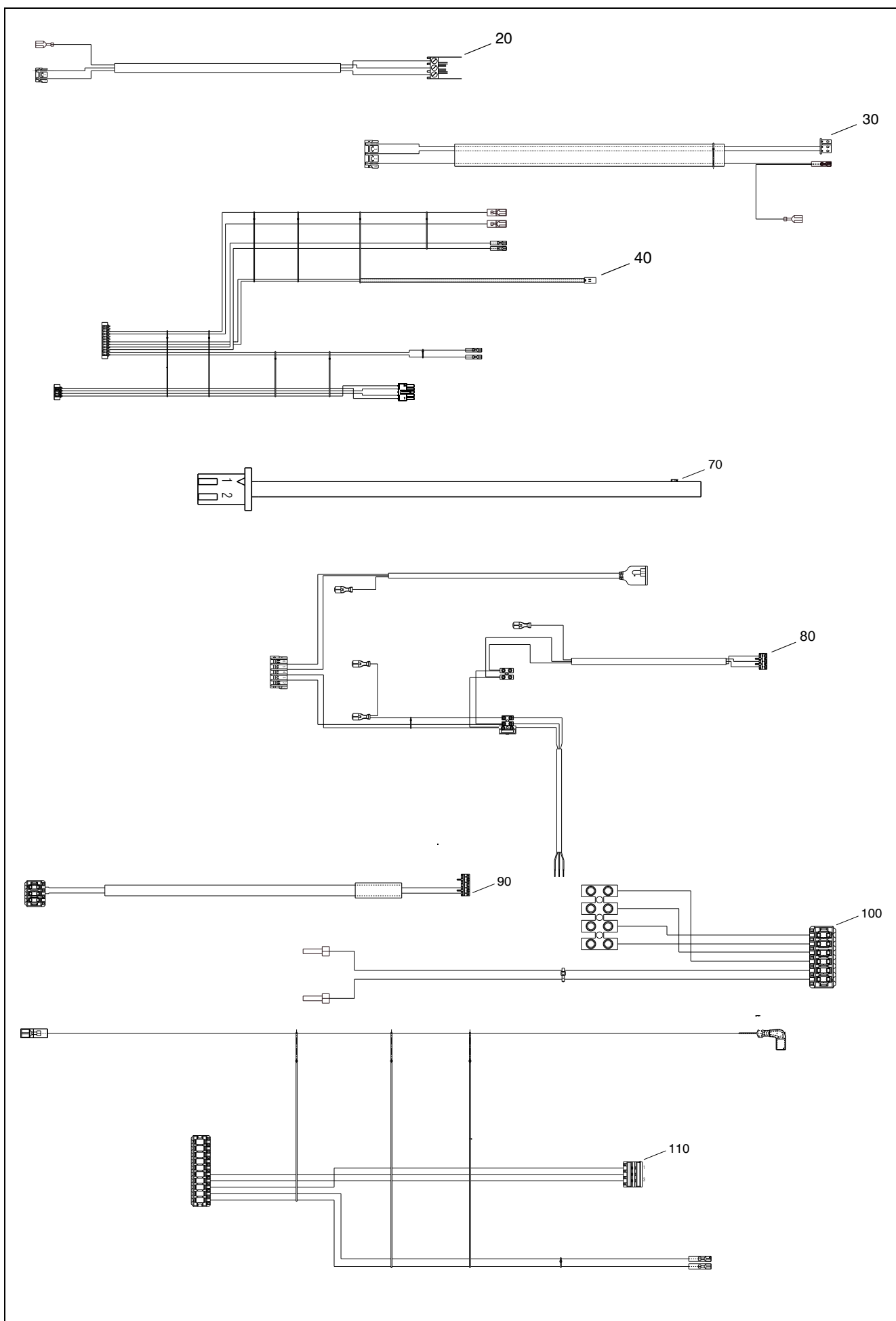
POS.	DESCRIPTION	20S
40	Side panel	20152418
50	9 lt. expansion tank	20135958
70	Flue drain connection	R10028421
80	Fumes flange	20157132
90	Cap smoke analysis	20157134
120	Flange gasket	20157133
140	Washer Ø 60	R10026345
330	Cap smoke analysis	20171129



POS.	DESCRIPTION	20S
10	Air/gas conveyor	20177647
11	Ignition electrode	20135946
12	Sensing electrode	20135947
13	Electrode seal	20157191
15	Insulation panel	20177648
16	Seal burner	20135949
17	Premix burner	20135950
19	Washer	20135951
20	Integrated fan	20135790
25	Air filter	20190419
30	Non return valve	20169395
40	Washer	20135952
50	Spacer	20177790
60	Clip	R10025062
210	Antisticking gas valve	20123161
211	Gas valve solenoid	20040675
220	Pipe	20181033
230	4.3Ø diaphragm	20152415
240	Gasket	20123159
250	Washer	R5023
260	Washer	20024869
310	Ignition electrode wiring harness	20135792



POS.	DESCRIPTION	20S
10	Pipe	20191411
20	Pipe	20154283
30	Pipe	R10025188
40	Condensing pipe	20191408
50	Pipe	20190420
60	Tube kit	20136036
70	Tube kit	20161501
80	Siphon	20188455
90	Condensation outlet (drainage) manifold	20190416
100	Bracket	20190417
110	Non return valve	20188456
120	Ignition transformer	20001563
130	NTC Detector	20078350
140	High limit thermostat	20005585
150	Clip	R5472
170	Clip	20000539
180	Clip	R10023532
190	Clip	R2222
210	Washer	R10023699
220	Washer	R5026
230	Washer	20188453
240	O ring	20152424
250	O-Ring	20140935
260	O ring	R10026324
310	Condensing exchanger assembly	20177649
320	Rain coat for exchanger	20135930
350	Washer Ø 60	R10028426
360	Spring pipe	20000130
370	Flue sensor	20135782
430	Hole cover	20181027
445	Condensation outlet tube	20100816
510	Pump 6 mt.	20178238
511	Air vent bottle	20169571
520	Clip	R10025062
530	Clip	R2165
550	Cover	20180465
999	Retarder insulating panel	20159693



POS.	DESCRIPTION	20S
20	Fan wiring harness	20135794
30	Flame wiring harness	20135795
40	Combustion cable	20152422
70	Wiring harness	20188472
80	Power wiring harness	20190421
90	Pump cable (PWM)	20190422
100	Wiring harness	20191409
110	Low tension cable	20191410

Rev	Data	Descrizione



Vokera reserve the right to change the specifications without prior notice.
Consumers' statutory rights are not affected.